

## CHIMNEY RANGE HOOD MODEL VJ70430SS

**⚠ INTENDED FOR DOMESTIC COOKING ONLY ⚠**

**READ AND SAVE THESE INSTRUCTIONS**

INSTALLER: LEAVE THIS MANUAL WITH HOMEOWNER.  
HOMEOWNER: USE AND CARE INFORMATION ON PAGE 10.

---

Venmar Ventilation Inc., 550 Lemire Blvd., Drummondville QC J2C 7W9 1-800-567-3855

REGISTER YOUR PRODUCT ON LINE AT: [www.bnv.ca](http://www.bnv.ca)  
For additional information - visit [www.venmar.ca](http://www.venmar.ca)

# IMPORTANT SAFETY INSTRUCTIONS

## **⚠ WARNING**

### **TO REDUCE THE RISK OF FIRE, ELECTRIC SHOCK, OR INJURY TO PERSON(S) OBSERVE THE FOLLOWING:**

1. Use this unit only in the manner intended by the manufacturer. If you have questions, contact the manufacturer at the address or telephone number listed in the warranty.
2. Before servicing or cleaning unit, switch power off at service panel and lock service disconnecting means to prevent power from being switch on accidentally. When the service disconnecting means cannot be locked, securely fasten a prominent warning device, such as a tag, to the service panel.
3. Installation work and electrical wiring must be done by qualified personnel in accordance with all applicable codes and standards, including fire-rated construction codes and standards.
4. Sufficient air is needed for proper combustion and exhausting of gases through the flue (chimney) of fuel burning equipment to prevent backdrafting. Follow the heating equipment manufacturer's guidelines and safety standards such as those published by the National Fire Protection Association (NFPA), the American Society for Heating, Refrigeration and Air Conditioning Engineers (ASHRAE) and the local code authorities.
5. When cutting or drilling into wall or ceiling, do not damage electrical wiring and other hidden utilities.
6. Ducted fans must always be vented to the outdoors.
7. Do not use this unit with any other solid-state speed control device.
8. To reduce the risk of fire, use only metal ductwork.
9. This unit must be grounded.
10. To provide protection against electric shock, connect to properly grounded outlets only.
11. When applicable local regulations comprise more restrictive installation and/or certification requirements, the aforementioned requirements prevail on those of this document and the installer agrees to conform to these at his own expenses.

### **TO REDUCE THE RISK OF A RANGE TOP GREASE FIRE:**

- a) Never leave surface units unattended at high settings. Boilovers cause smoking and greasy spillovers that may ignite. Heat oils slowly on low or medium settings.
- b) Always turn hood ON when cooking at high heat or when cooking flaming foods (i.e.: Crêpes Suzette, Cherries Jubilee, Peppercorn Beef Flambé).
- c) Clean ventilating fans frequently. Grease should not be allowed to accumulate on fan or filters.
- d) Use proper pan size. Always use cookware appropriate for the size of the surface element.

## **⚠ WARNING**

### **TO REDUCE THE RISK OF INJURY TO PERSON(S) IN THE EVENT OF A RANGE TOP GREASE FIRE, OBSERVE THE FOLLOWING\*:**

1. SMOTHER FLAMES with a close-fitting lid, cookie sheet, or metal tray, then turn off the burner. BE CAREFUL TO PREVENT BURNS. IF THE FLAMES DO NOT GO OUT IMMEDIATELY, EVACUATE AND CALL THE FIRE DEPARTMENT.
2. NEVER PICK UP A FLAMING PAN – You may be burned.
3. DO NOT USE WATER, including wet dishcloths or towels – This could cause a violent steam explosion.
4. Use an extinguisher ONLY if:
  - A. You know you have a Class ABC extinguisher and you know how to operate it.
  - B. The fire is small and contained in the area where it started.
  - C. The fire department has been called.
  - D. You can fight the fire with your back to an exit.

\* Based on "Kitchen Fire Safety Tips" published by NFPA.

## **CAUTION**

1. For indoor use only.
2. For general ventilating use only. Do not use to exhaust hazardous or explosive materials and vapors.
3. To avoid motor bearing damage and noisy and/or unbalanced impeller, keep drywall spray, construction dust, etc. off power unit.
4. Your hood motor has a thermal overload which will automatically shut off the motor if it becomes overheated. The motor will restart when it will cool down. If the motor continues to shut off and restart, have the hood serviced.
5. When installed, the bottom of the hood must not be less than 24" above cooktop for best capture of cooking impurities.
6. Two installers are recommended because of the size of this hood.
7. To reduce risk of fire and to properly exhaust air, be sure to duct air outside. Do not exhaust air into spaces within walls or ceilings or into attics, crawl spaces, or garages.
8. Because of the high exhausting capacity of this hood, you should make sure enough air is entering the house to replace exhausted air by opening a window close to or in the kitchen.
9. Please read specification label on product for further information and requirements.

# 1. MEASURE THE INSTALLATION AND INSTALL DUCTWORK

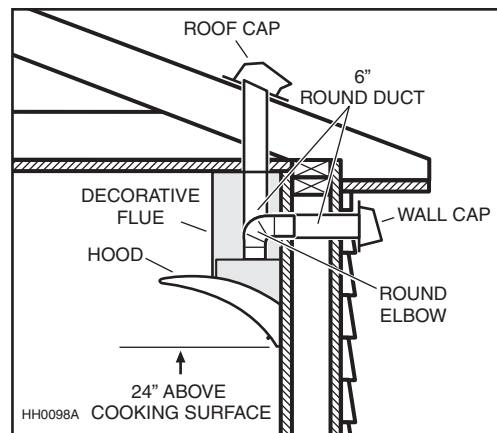
## ⚠ WARNING

When performing installation, servicing or cleaning the unit, it is recommended to wear safety glasses and gloves.

## ⚠ WARNING

To reduce the risk of fire, use only metal ductwork.

The minimum hood distance above cooktop must not be less than 24".  
Decide where the ductwork will run between the hood and the outside.  
A straight, short duct run will allow the hood to perform most efficiently.  
Long duct runs, elbows and transitions will reduce the performance of the hood. Use as few of them as possible. Larger ducting may be required for best performance with longer duct runs.  
Install wall cap or roof cap. Connect round metal ductwork to cap and work back towards the hood location. Use metal foil duct tape to seal the joints between ductwork sections.

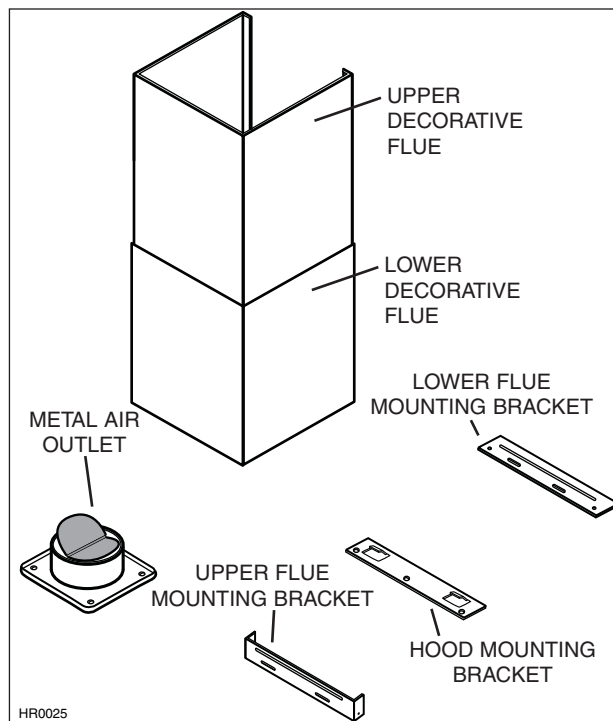


# 2. PREPARE THE INSTALLATION

NOTE: Before proceeding to the installation, check the contents of the box. If items are missing or damaged, contact the manufacturer.

Make sure that the following items are included:

- 1 - Hood
- 1 - Decorative Flue Assembly (lower and upper flues)
- 1 - Metal Air Outlet
- 1 - Lower Flue Mounting Bracket
- 1 - Hood Mounting Bracket
- 1 - Upper Flue Mounting Bracket
- 1 - Parts Bag containing:
  - 7 - No. 8 x 1¼" Flat Head Screws
  - 9 - Drywall Anchors
  - 8 - No. 8 x 7/16" Screws
  - 2 - No. 8 x 1¼" Screws
  - 2 - Washers
- 1 - Aluminum Grease Filter
- 1 - Installation Manual



### 3. WIRING INSTALLATION

#### **⚠ WARNING**

**Electrical wiring must be done by qualified person(s) in accordance with all applicable codes and standards. This range hood must be properly grounded. Turn off electrical power at service entrance before wiring.**

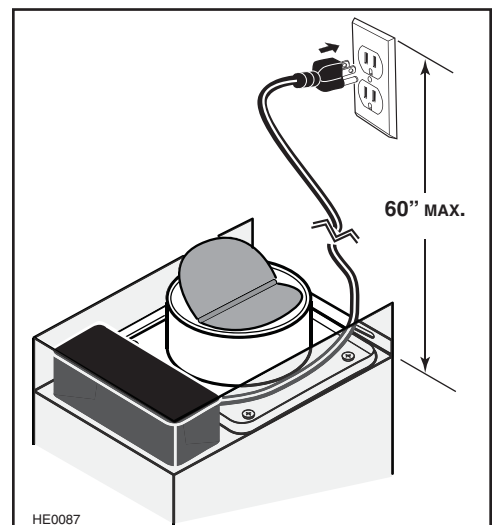
#### GROUNDING INSTRUCTIONS

This appliance must be grounded. In the event of an electrical short circuit, grounding reduces the risk of electric shock by providing an escape wire for the electric current. This appliance is equipped with a cord having a grounding wire with a grounding plug. The plug must be plugged into an outlet that is properly installed and grounded.

#### **⚠ WARNING**

**Improper grounding can result in a risk of electric shock. Consult a qualified electrician if the grounding instructions are not completely understood, or if doubt exists as to whether the appliance is properly grounded. Do not use an extension cord. If the power supply cord is too short, have a qualified electrician install an outlet near the appliance.**

Set the electrical power supply within the space covered by the decorative flue. Position the outlet offset so that the power cord will not interfere with the round duct. Place the outlet at a maximum distance of 60" from where the cord exits from the hood (see illustration at right). Make sure this does not interfere with a mouting bracket fastening area or with the decorative flue (where the flue touches the wall).



## 4. INSTALL HOOD MOUNTING BRACKET

### ⚠ WARNING

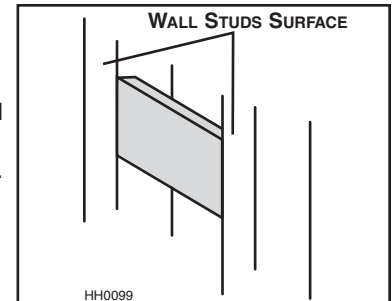
Make sure power is switched off at service panel before starting installation.

### ⚠ WARNING

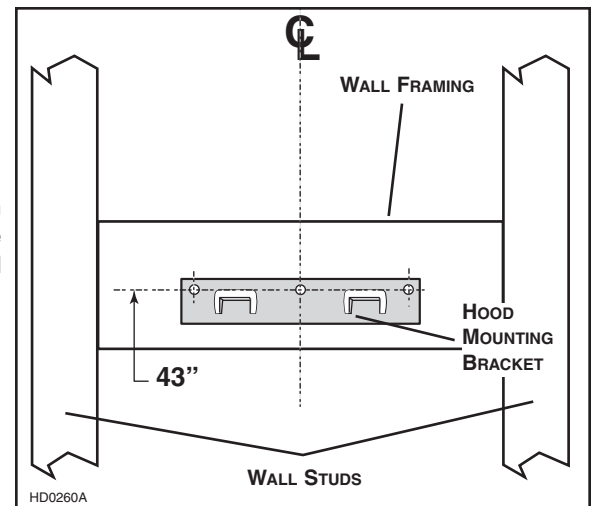
When cutting or drilling into wall, do not damage electrical wiring and other hidden utilities.

Install a wood wall framing between 2 wall studs over the installation location. This framing will support hood mounting bracket.

NOTE: The framing (shaded part in illustration at right) must be flush with the wall studs surface. Refer to figure at right.



Once wall surface is finished, carefully trace a center line over installation location, then trace a level line at 43" distance from cooktop. Center and level the hood mounting bracket, secure it to wall framing with 3 no. 8 x 1¼" flat head mounting screws.

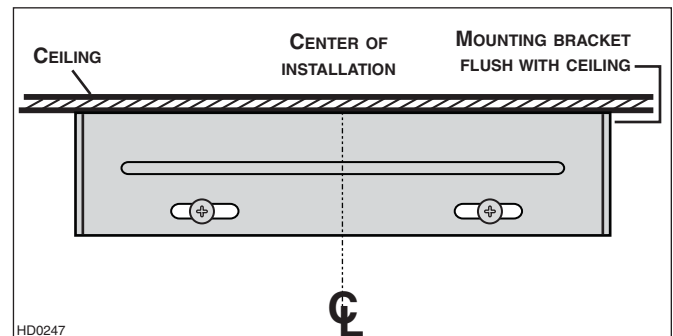


## 5. INSTALL UPPER FLUE MOUNTING BRACKET

Center the bracket over the hood location and place it flush with the ceiling. Make sure that the slots of the upper flue bracket point down. Use the upper flue mounting bracket as a template to mark the location of its screws.

Drill both screw holes using a 5/16" drill bit. Insert the included drywall anchors into the drilled holes (one per hole).

Secure the upper flue bracket to the wall using 2 no. 8 x 1¼" flat head mounting screws. Make sure that the bracket is tight against the wall.



## 6. PREPARE THE DECORATIVE FLUE

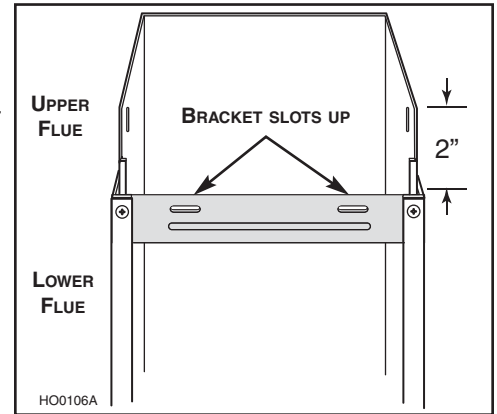
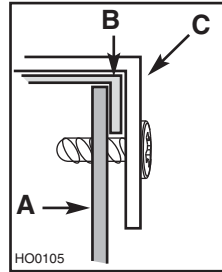
### **⚠ WARNING**

**Be careful when handling the lower and upper flues; they may have sharp edges.**

Remove the protective plastic film on both lower and upper flues. Carefully slide the upper flue inside the lower flue, leaving about 2" of the upper flue over the lower flue. Attach the lower flue mounting bracket to the top back lower flue using 2 no. 8 x 7/16" screws.

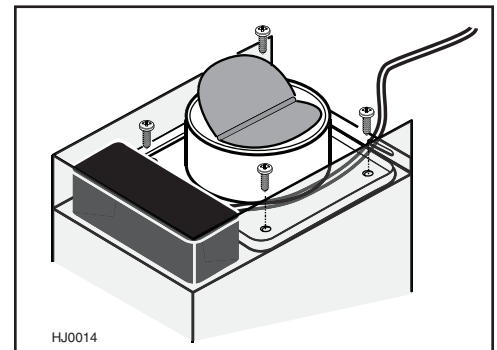
NOTES: 1. The lower flue mounting bracket slots must be up.

2. Before attaching the mounting bracket (A) to the lower flue, position the upper flue back flange (B) between the lower flue back flange (C) and the mounting bracket. See illustration at right. Do not overtighten the screws in order to ease the sliding motion of the upper flue.

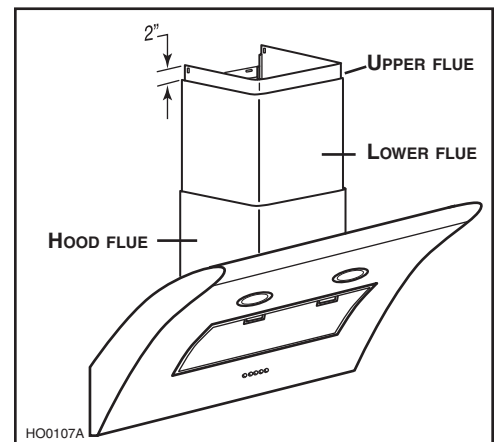


## 7. INSTALL THE HOOD

1. Place the hood on a table. Use a piece of cardboard to avoid damaging the table or the hood. Using 4 no. 8 x 5/16" screws, mount the metal air outlet to the top of the hood. Remove the protective plastic film on the hood.



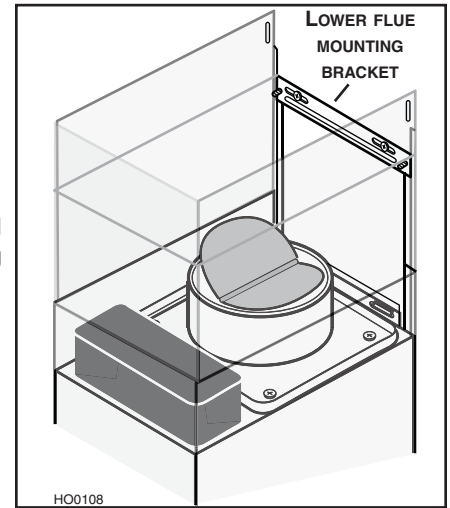
2. Slide the flue assembly inside the hood flue.



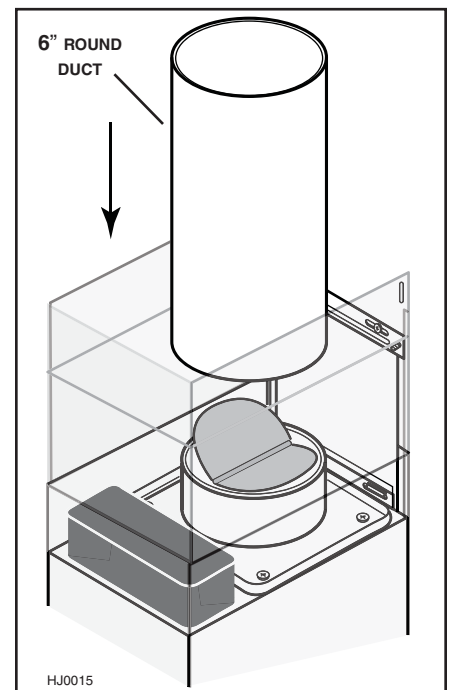
3. Align the hood and center it above the hood mounting bracket. Temporary hang the hood to its mounting bracket. Slide up the flue assembly until lower flue full extension. Use the lower flue mounting bracket as a template to mark the location of its screws. Remove the hood. Drill both screw holes using a 5/16" drill bit. Insert the included drywall anchors into the drilled holes (one per hole).

## 7. INSTALL THE HOOD (CONT'D)

4. Align the hood and center it above the hood mounting bracket. Gently lower the hood until it is hung to the bracket. Using 2 no. 8 x 1¼" screws, secure the lower flue mounting bracket to the wall.

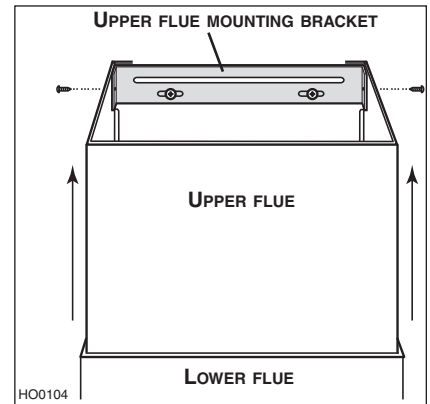


5. Slide a 6" steel round duct over the duct collar, use metal foil duct tape to seal the joint. Plug the hood power cord into the outlet.



## 7. INSTALL THE HOOD (CONT'D)

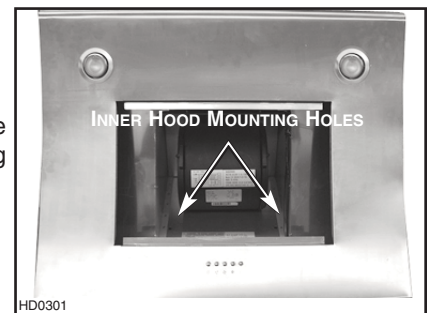
- Slide up the upper flue until it is aligned with its mounting bracket. The bracket should be inside the flue. Secure the upper flue on the upper flue mounting bracket using 2 no. 8 x 5/16" mounting screws.



- Remove grease filter in order to access hood inner mounting holes. To remove grease filter, press down on its metal latch tab and tilt filter downward. Set aside grease filter.



- Drill both screw holes using a 5/16" drill bit through inner hood mounting holes. Insert the included drywall anchors into the drilled holes (one per hole). Secure the hood using 2 no. 8 x 1 1/4" screws with 2 washers.



- Restore electrical power at service panel.

## 8. REINSTALL GREASE FILTER

To reinstall the grease filter, align down filter tabs with slots in the hood. Press down the metal latch tab, push filter into position and release. Make sure the filter is securely engaged after installation.





## 9. LIGHT BULBS

### **⚠ WARNING**

**Make sure power is switched off at service panel before carrying out any operation on the hood.**

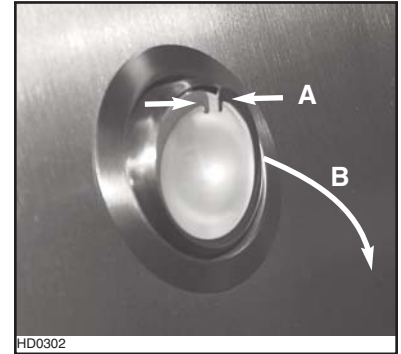
This range hood requires two UL approved halogen bulbs (JC type, 12 V, 20 W).

### **⚠ WARNING**

**In order to prevent the risk of personal injury, the halogen lamps must be cooled down before removing them.**

To replace bulbs:

1. Gently squeeze both light ring tabs (A) and lift out ring (B) from light assembly.



2. Remove light cover from light assembly. A piece of tape can be used to help handling light cover.

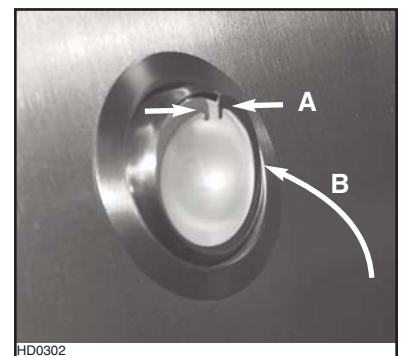


3. Replace bulb with JC type, 12 V, 20 W Max, G-4 base halogen bulb.

### **CAUTION**

**Do not touch replacement bulb with bare hands!**

4. Reinstall the light bulb cover with the light rim by gently squeeze both light ring tabs (A) and insert ring (B) in light assembly until secure.



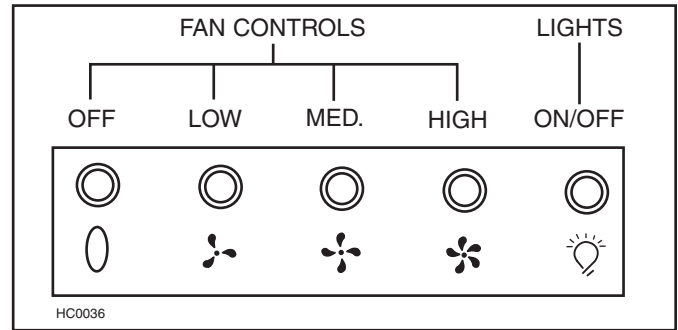
## 10. OPERATION

The hood is operated using the push button located at the bottom of the grease filter.

The light switch turns the lamps on and off.

The blower switch turns the blower on to three speed settings:

LOW SPEED  
MEDIUM SPEED  
HIGH SPEED



## 11. CARE

### ⚠ WARNING

**Before servicing or cleaning the unit, switch power off at service panel and lock service panel to prevent power from being switched on accidentally. When the service disconnecting means cannot be locked, securely fasten a prominent warning device, such as a tag, to the service panel.**

#### Grease Filter

Grease filter should be cleaned monthly. Remove grease filter by pulling down on the metal latch tabs. This will disengage the filter from the hood. Tilt the filter downward and remove. Use a warm detergent solution to clean the filter. Let it dry completely before reinstalling it.

Grease filter is dishwasher safe. Clean all-metal filter in the dishwasher using a non-phosphate detergent. Discoloration of the filter may occur if using phosphate detergent or as a result of local water conditions — but this will not affect filter performance. This discoloration is not covered by the warranty.

#### Hood Cleaning

Stainless steel cleaning: How to maintain its “BRIGHT LOOK” and help prevent corrosion.

#### Dos:

- Regularly wash surfaces with clean cloth or rag soaked with warm water and mild soap or liquid dish detergent.
- Always clean in the direction of original polish lines.
- Always rinse well with clear water (2 or 3 times) after cleaning. Wipe dry completely.
- You may also use a specialized household stainless steel cleaner.

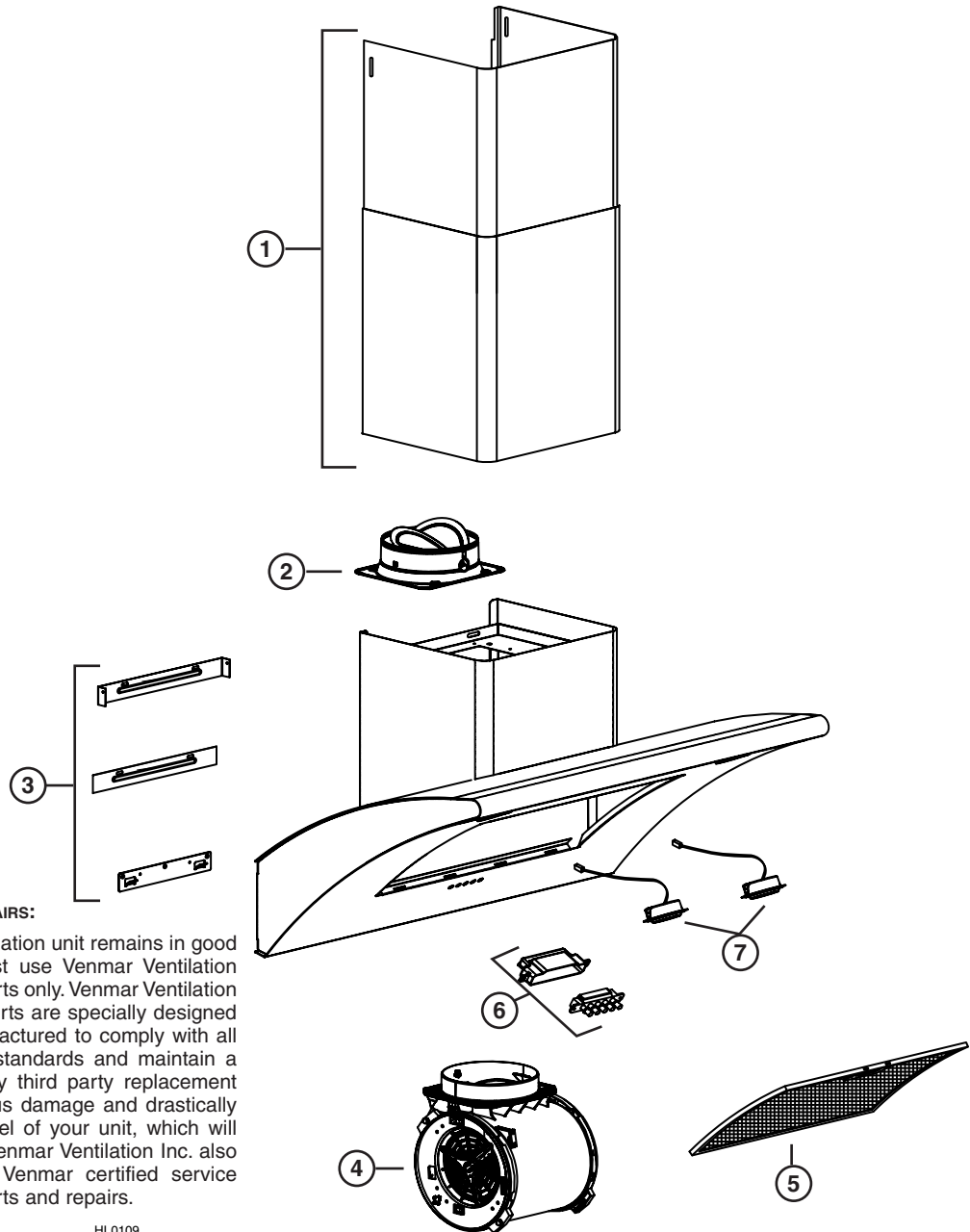
#### Don'ts:

- Use any steel or stainless steel wool or any other scrapers to remove stubborn dirt.
- Use any harsh or abrasive cleansers.
- Allow dirt to accumulate.
- Let plaster dust or any other construction residues reach the hood. During construction or renovation, cover the hood to make sure no dust sticks to stainless steel surface.

#### Avoid when choosing a detergent:

- Any cleaners that contain **bleach** will attack stainless steel.
- Any products containing : **chloride, fluoride, iodide, bromide** will deteriorate surfaces rapidly.
- Any **combustible products** used for cleaning such as **acetone, alcohol, ether, benzol**, etc., are highly explosive and should never be used close to a range.

## 12. REPLACEMENT PARTS



### REPLACEMENT PARTS AND REPAIRS:

In order to ensure your ventilation unit remains in good working condition, you must use Venmar Ventilation Inc. genuine replacement parts only. Venmar Ventilation Inc. genuine replacement parts are specially designed for each unit and are manufactured to comply with all the applicable certification standards and maintain a high standard of safety. Any third party replacement part used may cause serious damage and drastically reduce the performance level of your unit, which will result in premature failing. Venmar Ventilation Inc. also recommends to contact a Venmar certified service depot for all replacement parts and repairs.

HL0109

KEY NO.	PART NO.	DESCRIPTION	QUANTITY
1	08391	Flue Cover Kit	1
2	08487	Metal Air Outlet	1
3	08586	Brackets Set	1
4	07243	Motor and Blower Assembly	1
5	08385	Aluminum Grease Filter	1
6	07245	Push Buttons Assembly	1
7	08387	Light Assembly	2
*	SV20601	Halogen bulbs JC type, 12 V, 20 W, G4 base (2 per kit)	1
*	07246	PC Board and plastic enclosure	1
*	08389	Parts bag including: 8 no. 8 x 7/16" Screws, 7 no. 8 x 1¼" Flat head screws, 9 Drywall anchors, 2 no. 8 x 1¼" Screws, 2 Washers.	1

\*Not illustrated.

# WARRANTY

## **VENMAR JAZZ RANGE HOOD 1-YEAR LIMITED WARRANTY**

Venmar Ventilation Inc. warrants to the original consumer purchaser of its products, that such products will be free from defects in materials or workmanship for a period of one (1) year from date of original purchase. This warranty includes in-home service. THERE ARE NO OTHER WARRANTIES, EXPRESS OR IMPLIED, INCLUDING, BUT NOT LIMITED TO, IMPLIED WARRANTIES OF MERCHANTABILITY OR FITNESS FOR A PARTICULAR PURPOSE. VENMAR VENTILATION INC. WILL NOT BE HELD RESPONSIBLE FOR ANY CLAIMS OVER THE ORIGINAL PURCHASE PRICE OF A **VENMAR JAZZ RANGE HOOD**, NOR HELD RESPONSIBLE FOR SUBSEQUENT DAMAGE OR INCIDENT.

During this one-year period, Venmar Ventilation Inc. will, at its option, repair or replace, without charge, any product or part which is found to be defective under normal use and service. THIS WARRANTY DOES NOT EXTEND TO BULBS, FUSE, FILTERS, DUCTS, ROOF CAPS, WALL CAPS AND OTHER ACCESSORIES FOR DUCTING. This warranty does not cover a) normal maintenance and service b) any products or parts which have been subject to misuse, negligence, accident, improper maintenance or repairs made by other than Venmar Ventilation Inc., or c) a faulty installation or installation contrary to recommended installation instructions.

Warranty service is to be completed by an authorized Service Center designated by Venmar Ventilation Inc. Where applicable, in-home service will be made available only in areas where a contracted service provider offers service. If in-home service is not available, the product will be repaired or replaced, at Venmar Ventilation Inc.'s discretion, by the nearest authorized service provider. The unit removal and reinstallation works are under the customer responsibility, and Venmar Ventilation Inc. cannot be charged for them.

The duration of any implied warranty is limited to the 1-year period as specified for the express warranty. Some provinces do not allow limitation on how long an implied warranty lasts, so the above limitation may not apply to you. VENMAR VENTILATION INC. OBLIGATION TO REPAIR OR REPLACE AT VENMAR VENTILATION INC. OPTION, SHALL BE THE PURCHASER'S SOLE AND EXCLUSIVE REMEDY UNDER THIS WARRANTY. VENMAR VENTILATION INC. SHALL NOT BE LIABLE FOR INCIDENTAL, CONSEQUENTIAL OR SPECIAL DAMAGES ARISING OUT OF OR IN CONNECTION WITH PRODUCT USE OR PERFORMANCE. SOME PROVINCES DO NOT ALLOW THE EXCLUSION OR LIMITATION OF INCIDENTAL OR CONSEQUENTIAL DAMAGES, SO THE ABOVE LIMITATION OR EXCLUSION MAY NOT APPLY TO YOU.

This warranty gives you specific legal rights and you may also have other rights, which vary from one province to another. This warranty supersedes all prior warranties. To contact Venmar Ventilation Inc. Warranty Service call 1-800-567-3855 (in Canada). In order to qualify for a warranty claim, the owner of a Venmar Jazz range hood must have the model and serial number along with a proof of the original purchase date. At the time of requesting service, describe the nature of any defect in the product or part.

Venmar Ventilation Inc., 550 Lemire Blvd., Drummondville, Quebec CANADA J2C 7W9

Tel.: 1-800-567-3855 Fax: 819-475-2660

[www.venmar.ca](http://www.venmar.ca)