

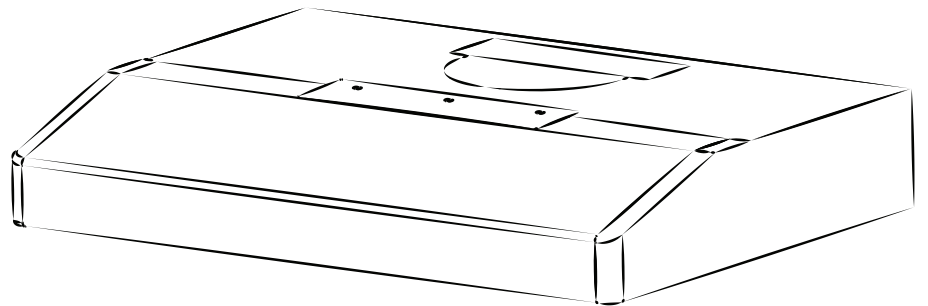
CHEF

VENMAR®

RANGE HOOD

Series: VCNDD1

INSTALLATION, USE
AND CARE MANUAL



Serial number:

Safety	3-4
Operation	5
Cleaning and Maintenance	6
Motor	
Grease Filters	
Non-Ducted Recirculation Filters	
Fan Blade	
Stainless Steel Cleaning	
Painted Finish Cleaning	
Installation	7-20
Recommended Tools	
and Accessories for Installation	7
Install Ductwork (Ducted Installations Only) ...	7-8
Contents	8
Prepare the Hood	9-11
Prepare the Hood Location	12
EZ1 Person Installation	12-14
Install the Hood (EZ1 Bracket)	15-16
Standard Installation	17
Install the Hood (Standard Installation)	18
Connect the Wiring	19
Install the Filters	19
Wiring Diagram	20
Service Parts	21
Warranty	22

READ AND SAVE THESE INSTRUCTIONS

⚠ Intended for domestic cooking only ⚠

INSTALLER: LEAVE THIS MANUAL WITH HOMEOWNER.

Register your range hood online at www.venmar.ca.

⚠ WARNING



TO REDUCE THE RISK OF FIRE, ELECTRIC SHOCK, OR INJURY TO PERSONS, OBSERVE THE FOLLOWING:

- Use this unit only in the manner intended by the manufacturer. If you have questions, contact the manufacturer at the address or telephone number listed in the warranty.
- Before servicing or cleaning unit, switch power off at service panel and lock the service disconnecting means to prevent power from being switched on accidentally. When the service disconnecting means cannot be locked, securely fasten a prominent warning device, such as a tag, to the service panel.
- Installation work and electrical wiring must be done by a qualified person(s) in accordance with all applicable codes and standards, including fire-rated construction.
- Sufficient air is needed for proper combustion and exhausting of gases through the flue (chimney) of fuel burning equipment to prevent backdrafting. Follow the heating equipment manufacturer's guidelines and safety standards such as those published by the National Fire Protection Association (NFPA) and the American Society for Heating, Refrigeration and Air Conditioning Engineers (ASHRAE) and the local code authorities.
- When cutting or drilling into wall or ceiling, do not damage electrical wiring and other hidden utilities.
- Ducted fans must always be vented to the outdoors.
- Do not use this unit with any additional solid-state speed control device.
- To reduce the risk of fire, use only metal ductwork.
- This unit must be grounded.
- As an alternative, this product may be installed with the UL-approved cord kit designated for the product, following instructions packed with the cord kit.
- When applicable local regulations comprise more restrictive installation and/or certification requirements, the aforementioned requirements prevail on those of this document and the installer agrees to conform to these at his own expense.

! WARNING**TO REDUCE THE RISK OF A RANGE TOP GREASE FIRE:**

- a) Never leave surface units unattended at high settings. Boilovers cause smoking and greasy spillovers that may ignite. Heat oils slowly on low or medium settings.
- b) Always turn hood ON when cooking at high heat or when flambing food (i.e.: Crêpes Suzette, Cherries Jubilee, Peppercorn Beef Flambé).
- c) Clean ventilating fan frequently. Grease should not be allowed to accumulate on fan, filters or in exhaust ducts.
- d) Use proper pan size. Always use cookware appropriate for the size of the surface element.

TO REDUCE THE RISK OF INJURY TO PERSONS IN THE EVENT OF A RANGE TOP GREASE FIRE, OBSERVE THE FOLLOWING*:

1. SMOTHER FLAMES with a close-fitting lid, cookie sheet or metal tray, then turn off the burner. BE CAREFUL TO PREVENT BURNS. IF THE FLAMES DO NOT GO OUT IMMEDIATELY, EVACUATE AND CALL THE FIRE DEPARTMENT.
2. NEVER PICK UP A FLAMING PAN — You may be burned.
3. DO NOT USE WATER, including wet dishcloths or towels — This could cause a violent steam explosion.
4. Use an extinguisher ONLY if:
 - A. You own a Class ABC extinguisher and you know how to operate it.
 - B. The fire is small and contained in the area where it started.
 - C. The fire department has been called.
 - D. You can fight the fire with your back to an exit.

* Based on "Kitchen Fire Safety Tips" published by NFPA.

! CAUTION

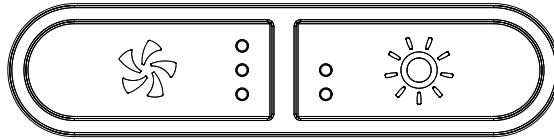
- For indoor use only.
- For general ventilating use only. Do not use to exhaust hazardous or explosive materials and vapors.
- To avoid motor bearing damage and noisy and/or unbalanced fan blade, keep drywall spray, construction dust, etc. off range hood.
- Your hood motor has a thermal overload which will automatically shut off the motor if it becomes overheated. The motor will restart when it cools down. If the motor continues to shut off and restart, have the hood serviced.
- For best capture of cooking fumes, the bottom of the hood MUST NOT BE LESS than 18" and at a maximum of 24" above the cooking surface.
- Always follow the cooking equipment manufacturer's requirements regarding the ventilation needs.
- To reduce the risk of fire and to properly exhaust air, be sure to duct air outside — Do not exhaust air into spaces within walls or ceiling or into attics, crawl space or garage.
- When installing, servicing or cleaning the unit, it is recommended to wear safety glasses and gloves.
- Please read specification label on product for further information and requirements.

Operation

Always turn your hood on before you begin cooking to establish an air flow in the kitchen.

Let the blower run for a few minutes to clear the air after you turn off the range. This will help keep the whole kitchen cleaner and fresher.

Operate the hood as follows:



BLOWER BUTTON

When blower is OFF, press this button to turn ON the blower at the last saved speed. If there was no speed saved, the blower will be set on LOW speed.

NOTE: When LOW speed is activated from OFF, the blower starts on MEDIUM speed for a very short lapse of time, and then resume to LOW speed.

To change the blower speed, press on this button again until the desired speed is reached (from LOW to MEDIUM to HIGH speed to OFF). Each time a blower speed is activated, a beep is heard and LED indicators light up to show the corresponding speed chosen (lower LED for LOW speed, lower and center LEDs for MEDIUM speed and all LEDs for HIGH speed).

When blower is on (no matter the speed level), press and hold this button until the beep sound ends; this will turn off the blower and save this blower speed to memory.

LIGHT BUTTON

When lights are OFF, press once on this button to turn ON the lights at the last saved setting. If there was no light setting saved, the lights will be set on LOW intensity. Press another time to set the lights on HIGH intensity. Pressing another time after the HIGH setting will turn OFF the lights. Each time the lights are turned ON, a beep is heard and LED indicators light up to show the corresponding intensity chosen (lower LED for LOW and both LEDs for HIGH).

When lights are on (no matter the lighting level), press and hold this button until the beep sound ends; this will turn off the lights and save the chosen light intensity.

The LED modules included with this hood are the latest in LED cooktop illumination technology specially designed to operate in the elevated temperatures of cooking - offering bright lighting and lasting up to 25 times as long as a standard bulb and greater reliability than typical replacement LED bulbs.

FILTER CLEANING REMINDER

When it is time to clean the hood and filters (refer to Cleaning and Maintenance on page 6), the 3 blower button LED indicators will flash slowly for 30 seconds after turning the blower OFF. This will happen every time the blower is turned OFF until the filter cleaning reminder has been reset. Once the cleaning is done, reset the filter cleaning reminder indicators by pressing on blower button for 3 seconds during the 30 seconds the 3 blower button LED indicators flash slowly.

Cleaning and Maintenance

Proper maintenance of the Range Hood will assure proper performance of the unit.

MOTOR

The motor is permanently lubricated and never need oiling. If the motor bearings make excessive or unusual noise, replace the motor with the exact service motor. The fan wheel should also be replaced.

GREASE FILTERS

The grease filters should be cleaned frequently. Use a warm dishwashing detergent solution. Clean all-metal filters using a non-phosphate detergent. Discoloration of the filters may occur if using phosphate detergents, or as a result of local water conditions - but this will not affect filter performance. This discoloration is not covered by the warranty. To minimize or prevent discoloration, hand wash filters using a mild detergent.

NON-DUCTED RECIRCULATION FILTERS

The non-ducted recirculation filters should be changed every 3 to 6 months. Replace more often if your cooking style generates extra grease, such as frying and wok cooking. Refer to installation instructions included with non-ducted recirculation filters.

FAN BLADE

The fan blade should be cleaned frequently. Use a clean cloth soaked with warm detergent solution.

STAINLESS STEEL CLEANING

Do:

- Regularly wash with clean cloth or rag soaked with warm water and mild soap or liquid dish detergent.
- Always clean in the direction of original polish lines.
- Always rinse well with clear water (2 or 3 times) after cleaning. Wipe dry completely.
- You may also use a specialized household stainless steel cleaner.

Don't:

- Use any steel or stainless steel wool or any other scrapers to remove stubborn dirt.
- Use any harsh or abrasive cleansers.
- Allow dirt to accumulate.
- Let plaster dust or any other construction residues reach the hood. During construction/renovation, cover the range hood to make sure no dust sticks to the stainless steel surface.

Avoid when choosing a detergent:

- Any cleaners that contain **bleach** will attack stainless steel.
- Any products containing: **chloride, fluoride, iodide, bromide** will deteriorate surfaces rapidly.
- Any combustible products used for cleaning such as **acetone, alcohol, ether, benzol**, etc., are highly explosive and should never be used close to a range.

PAINTED FINISH CLEANING:

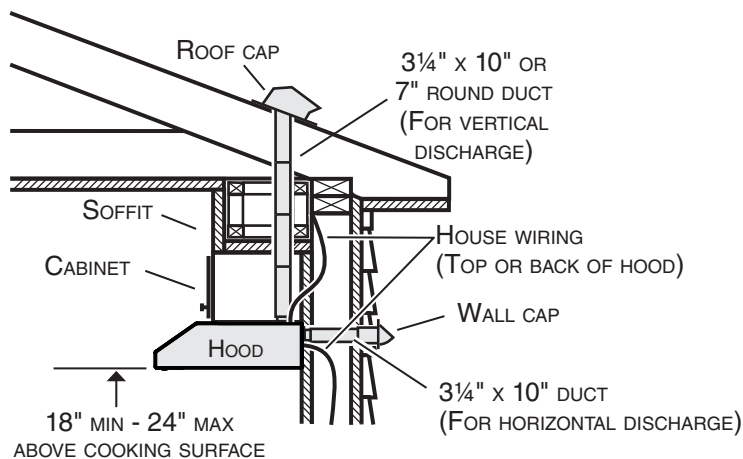
Clean with warm water and mild detergent only. If discoloration occurs, use a finish polish such as automotive polish. (DO NOT use rough abrasive cleaner or porcelain cleaner.)

For ADA compliance installation guidelines, please type the model number into our website.

Recommended Tools and Accessories for Installation

- Measuring tape
- Phillips screwdriver no. 2
- Flat blade screwdriver (to open knockout holes)
- Drill, 1/8" drill bit and 1 1/2" hole saw (to mark holes for ducting and cut electrical access hole)
- 7/64" drill bit (to drill holes for EZ1 brackets mounting screws)
- 7" round duct plate, not included (for 7" round vertical ducting installation, part no.: SR680508)
- Wood shims (2) and wood screws (4) (required for standard installation to framed cabinet)
- Saw (to cut holes for ducted application)
- Sheet metal shears (ducted installation only, for duct adjustment)
- Pliers (ducted installation only, for duct adjustment)
- Metal foil duct tape (for ducted applications)
- Scissors (to cut metal foil duct tape)
- Pencil
- Wire stripper
- Strain relief, 1/2" diameter (to secure house wiring cable to the hood)
- BP87Q Damper (needed if 7-in. round duct is used)

Install Ductwork (Ducted Installations Only)



NOTE: Distances over 24" are at the installer and user discretion.

- 1] Determine whether hood will discharge vertically (3 1/4" x 10" or 7" round), or horizontally (3 1/4" x 10" only).
- 2] Decide where the ductwork will run between the hood and the outdoors.
- 3] Choose a straight, short duct run to allow the hood to perform most efficiently. Long duct runs, elbows and transitions will reduce the performance of the hood. Use as few of them as possible. When possible, use at least 2-foot straight runs before any turns. Larger ductwork may be required for best performance with longer duct runs.



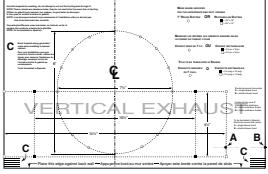
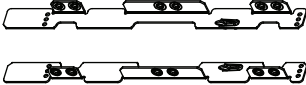




NOTE: To use 6" round ducting, install a 3 1/4" x 10" to 6" round transition (not included). The performances may be affected.

- 4] Install wall cap or roof cap (sold separately); ensure there is no leak in house insulation. Connect metal ductwork to cap and work back towards the hood location. Use 2" metal foil duct tape to seal the joints between ductwork sections.

Contents

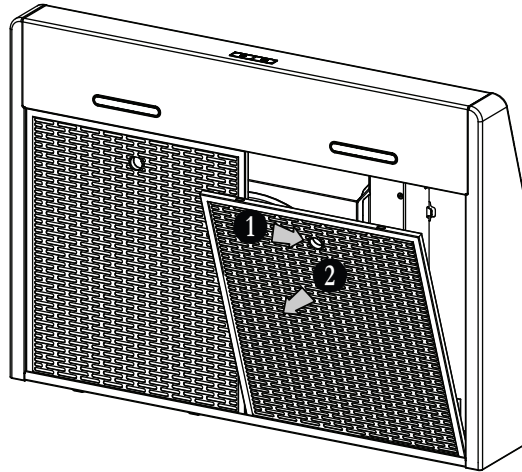
Before proceeding to the installation, check the contents of the box. If items are missing or damaged, contact the manufacturer.

Make sure that the following items are included:

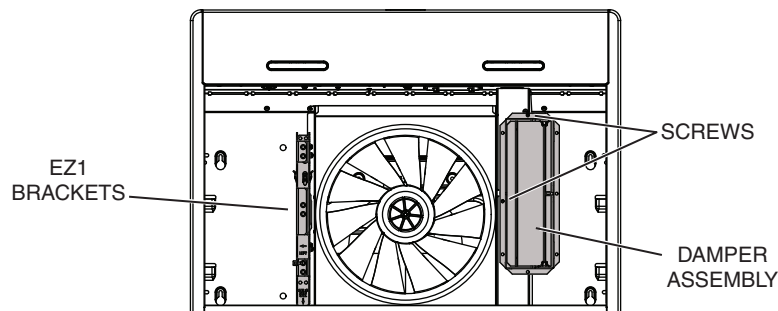
 <p>(2) GREASE FILTERS</p>	<p>* FIND INSIDE OF HOOD</p>  <p>(1) 3 1/4" x 10" DAMPER ASSEMBLY*</p>
<p style="text-align: center;">EZ1 COMPONENTS</p>  <p>(1) TEMPLATE FOR DUCTING (PRINTED BOTH SIDES)</p>  <p>(2) INSTALLATION BRACKETS** FOR FRAMED CABINET</p>  <p>(2) INSTALLATION BRACKETS** FOR FRAMELESS CABINET</p> <p style="text-align: center;">** FIND EZ1 BRACKETS ATTACHED INSIDE OF HOOD</p>	
<p style="text-align: center;">(1) PARTS BAG*** CONTAINING:</p>  <p>(4) No. 8-18 x 1/2" METAL SCREWS</p>  <p>(6) No. 8 x 5/8" RD. HD. WOOD SCREWS</p>  <p>(6) No. 8 x 1/2" COUNTERSUNK WOOD SCREWS</p> <p style="text-align: center;">*** FIND PARTS BAG BEHIND THE DAMPER ASSEMBLY INSIDE OF HOOD</p>	

Prepare the Hood

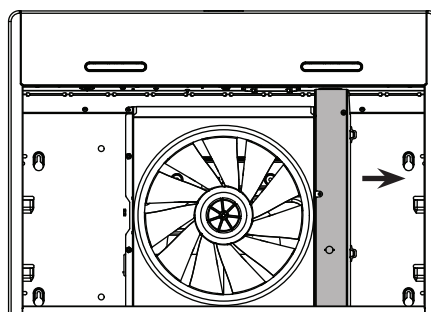
- 1] If present, remove all protective polyfilm from the hood and/or parts.
- 2] Using the finger cup, remove the grease filters from the hood by pushing down ❶ and tilting filters out ❷.



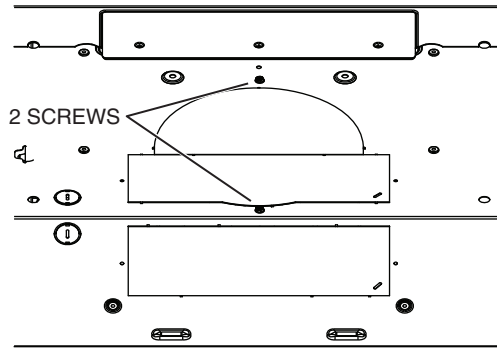
- 3] Remove the EZ1 brackets from inside the hood by cutting off the tie wrap. Remove both screws holding the damper assembly to the hood. Remove the parts bag captured behind the damper assembly. Remove the damper assembly from inside the hood and keep the screws for further use.



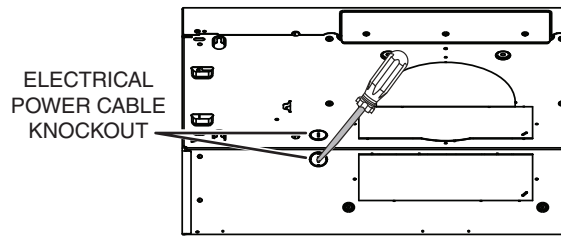
- 4] Remove the wiring cover (shaded part on illustration below) by sliding it out from the hood and set it aside.



- 5] Remove 2 screws from top of hood (see illustration below). Keep the screws for further use).

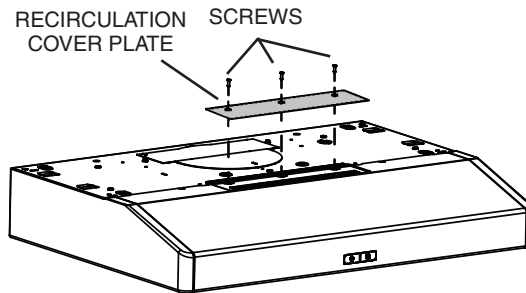


- 6] Remove the Electrical Power Cable Knockout from top (vertical exhaust) or back (horizontal exhaust) of hood. Install an appropriate strain relief, 1/2" diameter (not included).



NON-DUCTED INSTALLATION ONLY

- 7] Remove the 3 screws retaining the recirculation cover plate (shaded part in illustration below) to the hood. Discard this plate with its screws.



DUCTED INSTALLATION ONLY

- 8]** Remove 3/4" x 10" vertical, 3/4" x 10" horizontal, or 7-inch round knockout plate as appropriate for your ducting method (see **FIGURES 1 A** and **1 B**).

FIGURE 1 A

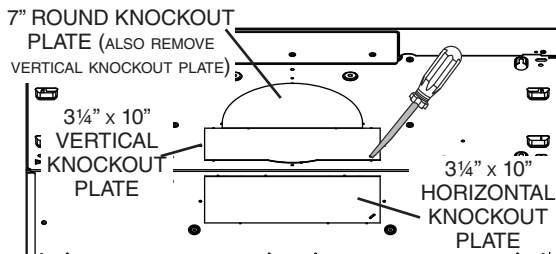
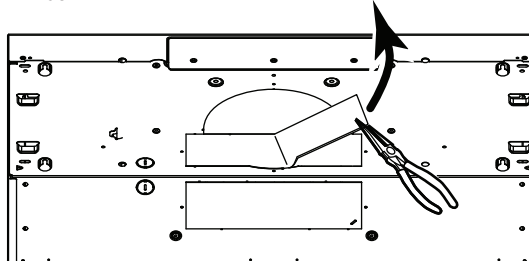


FIGURE 1 B



- 9]** Attach 3/4" x 10" Damper Assembly on top OR back of hood (if using 3/4" x 10" duct; shaded part in **FIGURE 2 A** below) or 7" Round Duct Plate (if using 7-inch round duct, **FIGURE 3**) over the knockout opening. When installed, the 3/4" x 10" damper assembly must open as shown in **FIGURE 2 B**.

FIGURE 2 A

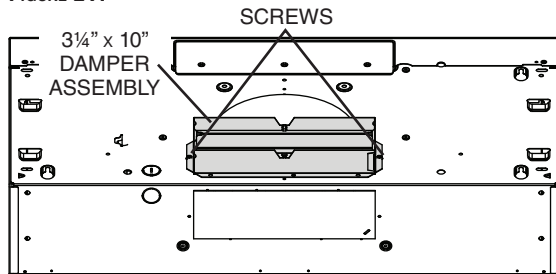


FIGURE 2 B

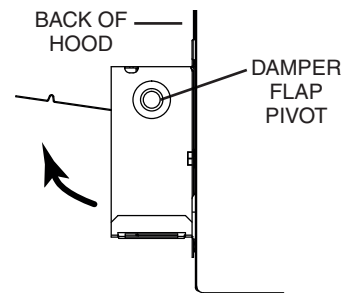
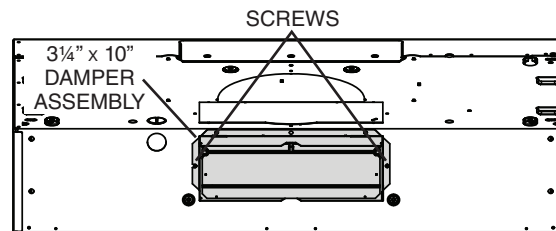
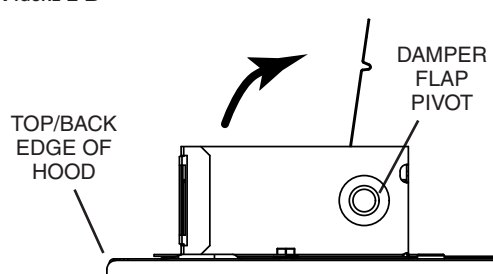
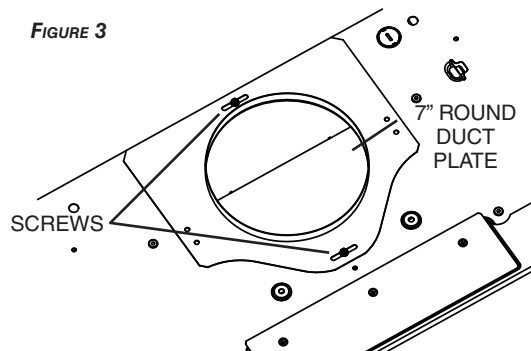


FIGURE 3



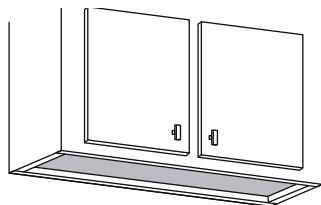
NOTE: To accommodate off-center ductwork, the 7" round duct plate can be installed up to 1/2" on either side of the hood center.

TIP: Insert a small length of duct over the 3/4" x 10" damper assembly (for rectangular ducting) or 7" round (for round ducting) and seal the joint using aluminum foil duct tape to ease connection with the house ductwork.

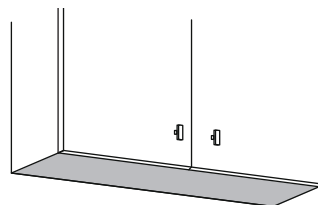
Prepare the Hood Location

NOTE: Before starting installation, read all the steps of these instructions. Use the illustration below to identify your kitchen cabinet type.

FRAMED CABINET



FRAMELESS CABINET



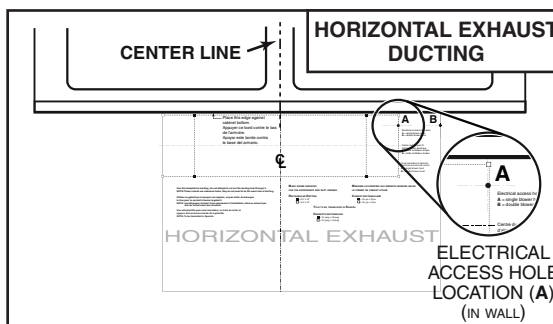
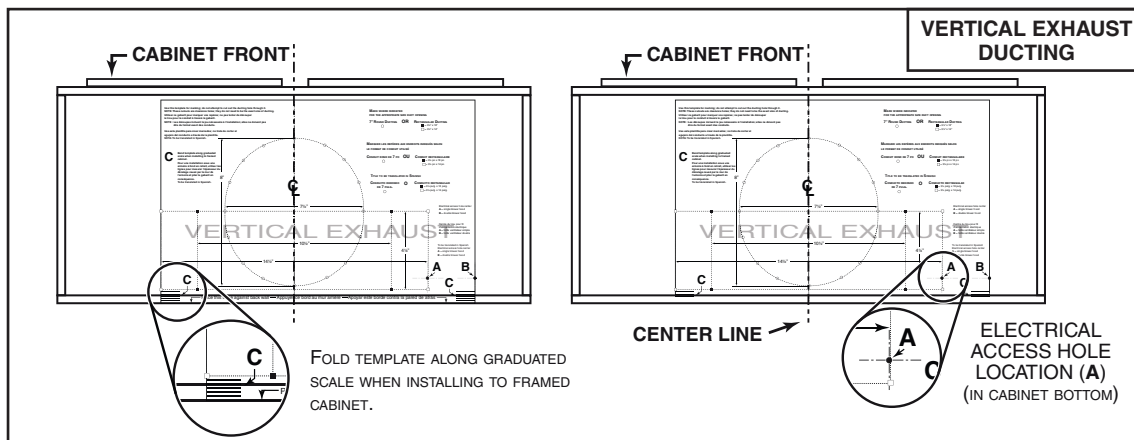
This manual covers 2 kinds of installation: the standard (without EZ1 brackets) and the EZ1 one-person installation system (using included template and brackets). For the standard installation, go to page 17.

EZ1 one-person installation system

EZ1 installation is designed for use with kitchen cabinets that have the same width designation as the range hood width. If the cabinet is greater than 1/2" wider than the range hood width, please use the standard installation method.

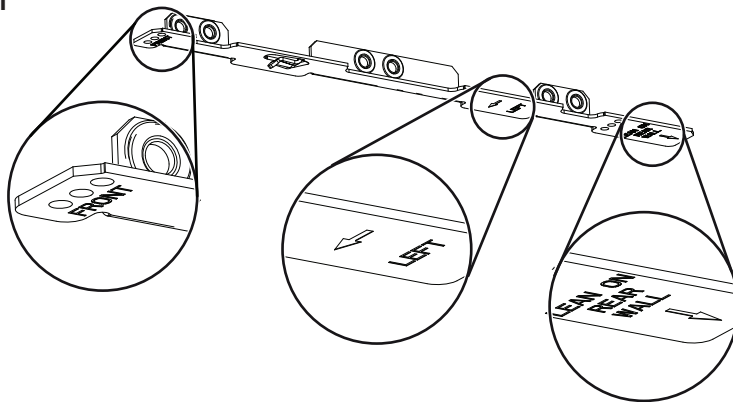
- 1] Use the proper template for vertical OR horizontal discharge (included) for placement of ductwork and electrical cutout in cabinet or wall. For a non-ducted installation, DO NOT cut a duct access hole, only cut the hole for electrical wiring. **If replacing a hood and plan to use the existing duct and electrical, steps 2 to 5 may not be necessary. If so, skip to step 6.**
- 2] Measure and mark the hood center line on cabinet bottom.
- 3] Align the center line on template with the hood center line marked on the bottom of the cabinet, placing the edge (where indicated) of the template against back wall. When using with framed cabinet for vertical exhaust installation, fold over rear edge of template equal to the depth of the cabinet frame at the wall (use graduations on template, C locations on template). Tape the template in place.

NOTE: When facing the installation, A and B (on template) must be at right.

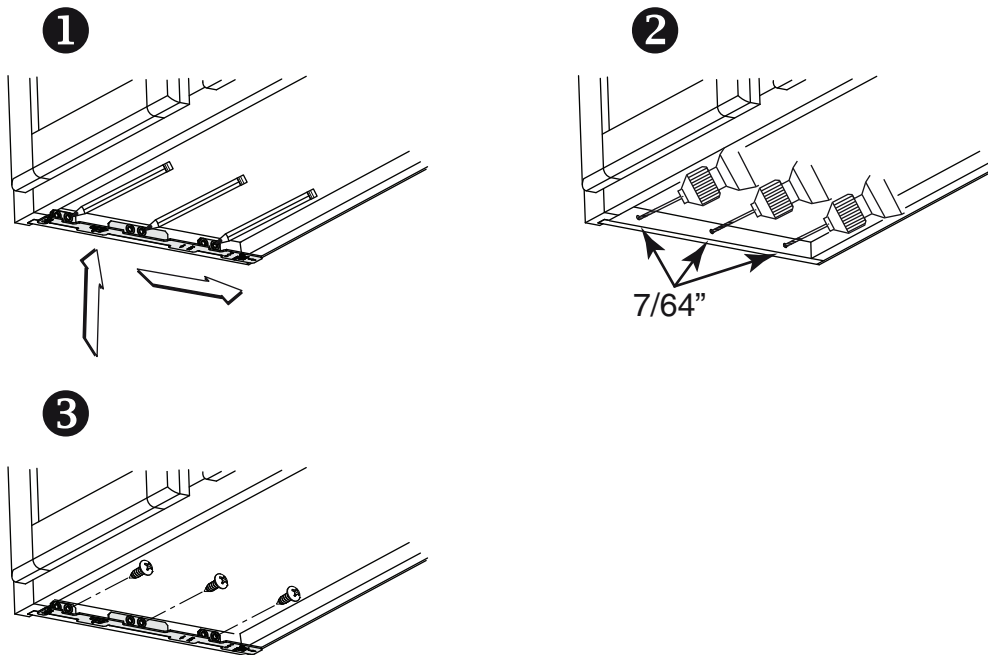


- 4] Drill a 1/8" dia. pilot hole for house wiring, at **A** location on template.
- 5] Use a sharp pencil or 1/8" drill bit to mark the locations for the appropriate duct access holes (16 locations for 7" round duct, or 4 corner locations for rectangular duct). Remove the template.
- 6] Draw the border for the exhaust ducting by linking its marks (16 for round duct and 4 for rectangular duct), then cut the opening in the cabinet bottom (vertical exhaust) or in the wall (horizontal exhaust). Drill the house wiring hole by using a 1½" hole saw centered with the pilot hole previously made in 4.
- 7] Install the proper installation brackets according to the type of cabinet (framed or frameless). See below.

FRAMED CABINET

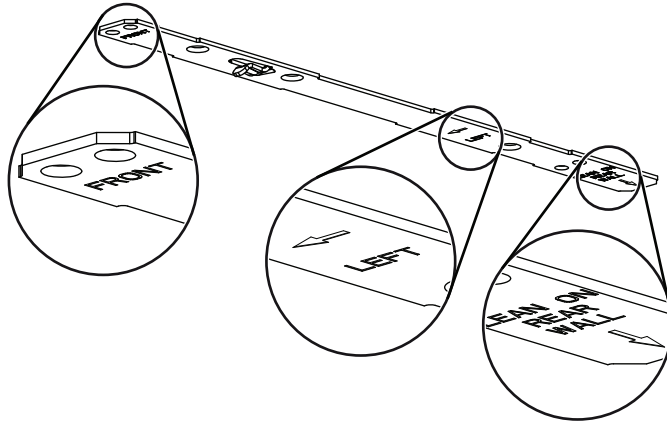


Refer to the marking on brackets to determine the correct installation side and orientation.

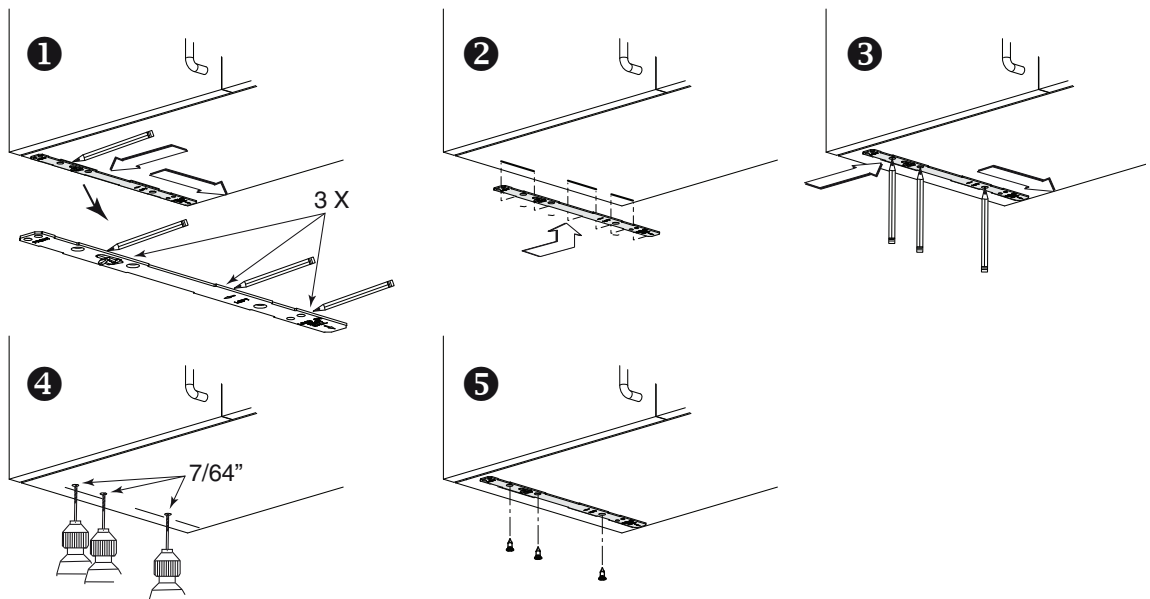


- 1] Mate the corresponding bracket to the cabinet side frame, while placing rear end of bracket against the wall. Use a pencil to mark 3 holes (there are 6 holes but only 3 are necessary).
- 2] Remove the bracket. Using a 7/64" drill bit, drill 3 holes where marked.
- 3] Assemble the bracket to the side frame using a Phillips screwdriver and 3 provided no. 8 x 5/8" wood screws. Repeat for the other side frame.

FRAMELESS CABINET



Refer to the marking on brackets to determine the correct installation side and orientation.

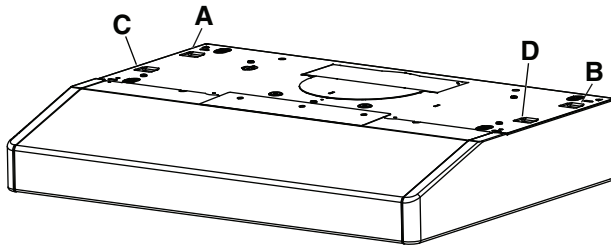


- ❶ Align the corresponding bracket to the cabinet side, while placing rear end of bracket against the wall. Draw a line on the outer edge of the bracket (as shown).
- ❷ Slide the bracket towards the center of cabinet and align side edge to marked line, keeping the rear end edge leaning on the wall.
- ❸ Use a pencil to mark 3 holes.
- ❹ Remove the bracket. Using a 7/64" drill bit, drill 3 holes where marked.
- ❺ Assemble the bracket to the cabinet bottom using a Phillips screwdriver and 3 provided countersunk wood screws. Repeat for the other cabinet side.

Install the Hood (EZ1 Bracket)

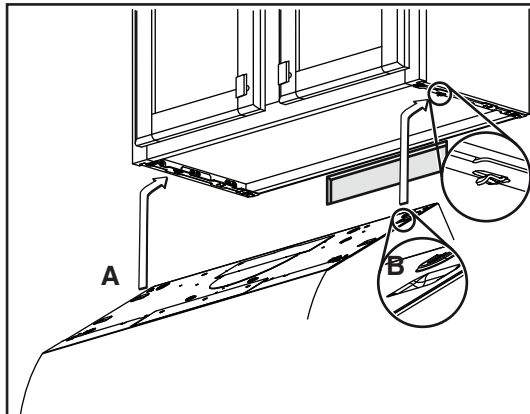
NOTE: The following procedure applies to both framed or frameless cabinet installations.

- 1] Run house power cable between service panel and hood location.
- 2] There are 2 pairs of recessed holes on each side of the top of the hood (on rear: **A** and **B**, on front **C** and **D** on illustration below); these holes allow the range hood to hang on the brackets (previously installed).



HORIZONTAL EXHAUST INSTALLATION ONLY

- 3] Temporarily hang the hood on the brackets using its 2 recessed REAR HOLES (**A** and **B**). **While holding the hood**, run the house power cable into the hood through the strain relief previously installed in step 6 on page 10.



- 4] Unhook the rear holes from the brackets and hang the hood using its 2 recessed FRONT HOLES (**C** and **D**). **While holding the hood**, attach the power cable to the hood using the strain relief.

VERTICAL EXHAUST INSTALLATION AND NON-DUCTED INSTALLATION ONLY

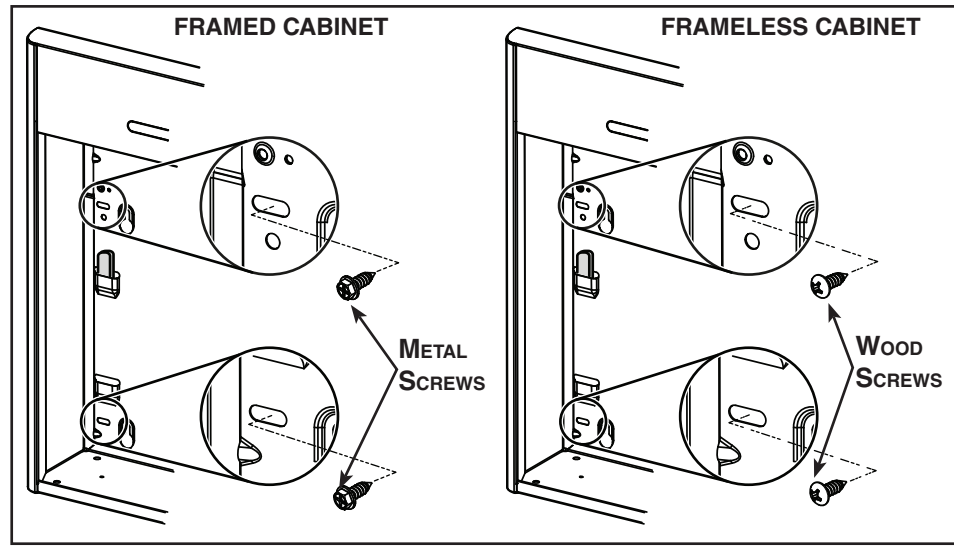
- 5] Hang the hood on the brackets using the 2 recessed FRONT HOLES (**C** and **D**). **While holding the hood**, run the house power cable into the hood through the strain relief previously installed in step 6 on page 10. Attach power cable to the hood.

DUCTED INSTALLATION ONLY

- 6] Connect the ductwork to the hood and use metal foil duct tape to make joints secure and airtight. Make sure the damper assembly (or round duct plate) enters the ductwork and that the damper opens and closes freely.

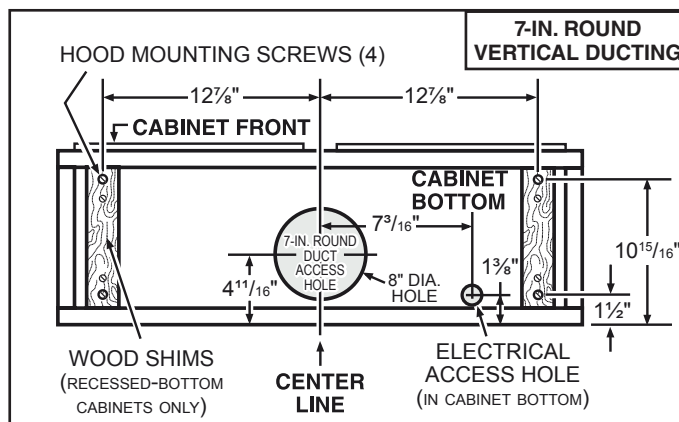
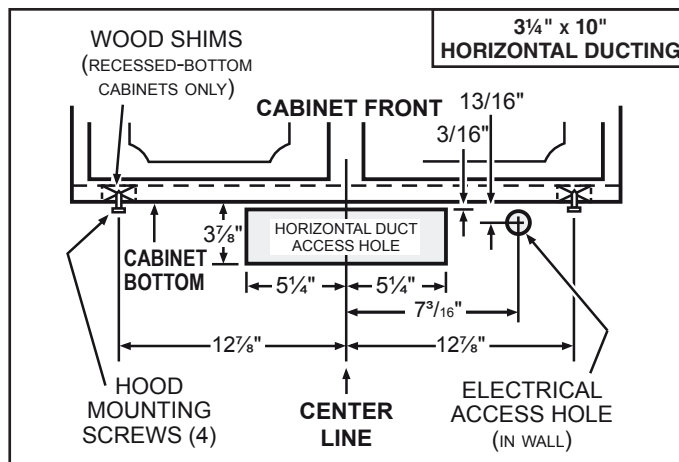
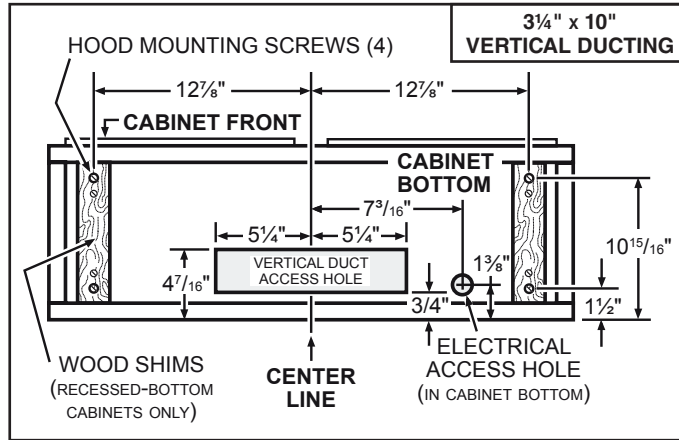
NOTE: See final installation steps on next page.

- 7] For framed cabinet, secure the hood to the EZ1 brackets using 4 no. 8-18 x 1/2" metal screws (included in parts bag). Insert 2 screws per side, in the slots (as shown in insets on illustration below).
- 8] For frameless cabinet, secure the hood to the cabinet using 4 no. 8 x 5/8" round head wood screws (included in parts bag). Insert 2 screws per side, in the slots (as shown in insets on illustration below).



Standard Installation (without EZ1 brackets)

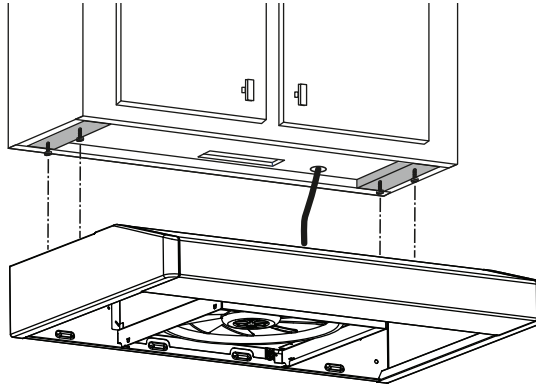
- 1] Use the proper diagram below for placement of ductwork and electrical cutout in cabinet or wall. For a non-ducted installation, DO NOT cut a duct access hole, only cut the hole for electrical wiring.



- 2] Install part-way 4 ROUND HEAD no. 8 x 5/8" mounting screws into shims/cabinet, according to the proper diagram above. (Mounting screws are included in parts bag, but wood shims and shim mounting screws are not included.)

Install the Hood (Standard Installation)

- 1] Run the house power cable between service panel and hood location. Run the house power cable into the hood through the strain relief previously installed in step 6 on page 10.
- 2] Hang hood from 4 mounting screws previously installed. Slide hood back towards the wall until mounting screw heads are engaged in the narrow end of keyhole slots in top of hood. **While holding the hood**, tighten screws securely. Attach power cable to the hood using the strain relief.



DUCTED INSTALLATION ONLY

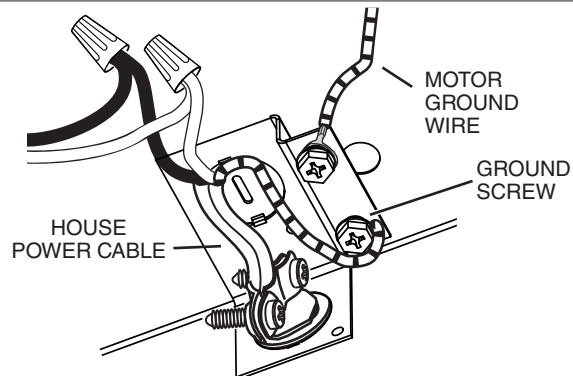
- 3] Connect ductwork to hood and use metal foil duct tape to make joints secure and airtight. Make sure the damper assembly (or round duct plate) enters the ductwork and that the damper opens and closes freely.

Connect the Wiring

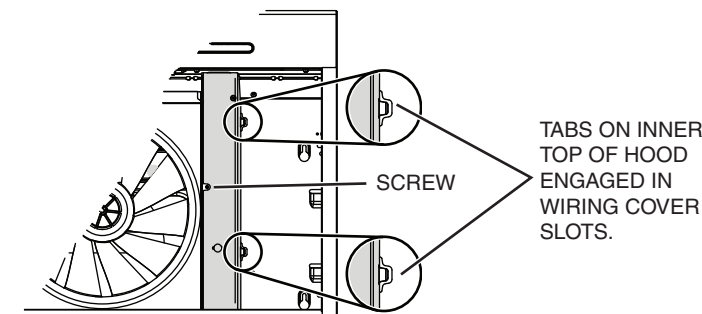
⚠ WARNING



Risk of electric shock. Electrical wiring must be done by qualified personnel in accordance with all applicable codes and standards. Before connecting wires, switch power off at service panel and lock service disconnecting means to prevent power from being switched on accidentally.



- 1] Connect House Power Cable to range hood wiring: BLACK to BLACK, WHITE to WHITE and GREEN or bare wire under GREEN ground screw.



- 2] Reinstall wiring cover and attach it to the hood using its retaining screw.

⚠ CAUTION

Ensure both tabs on inner top of hood are engaged in their corresponding slots in wiring cover. Also, take care not to pinch wires while reinstalling wiring cover.

Install the Filters

Ducted Installation Only:

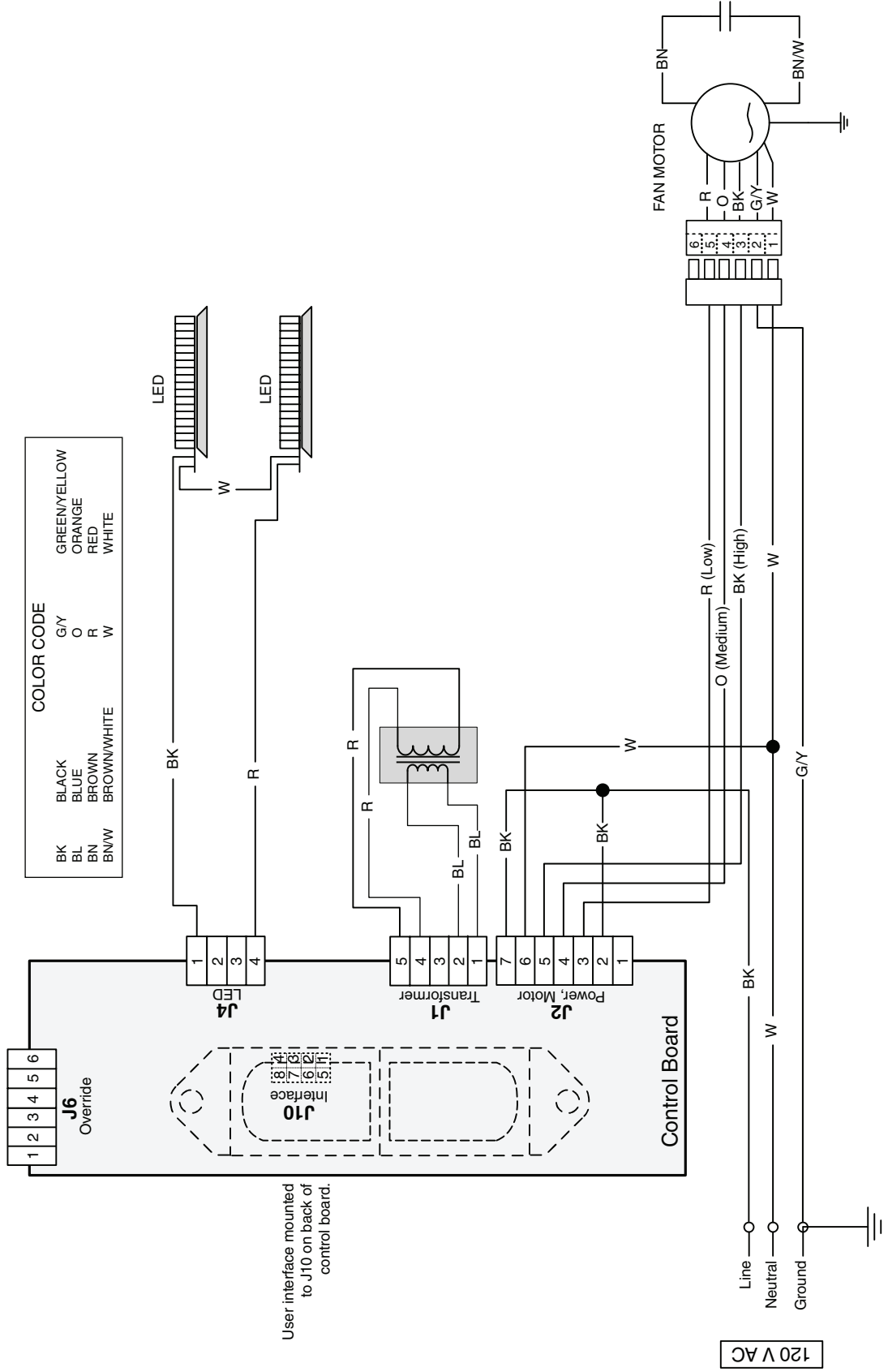
Re-install grease filters removed in step 2 , page 9, under “Prepare the Hood”

Non-ducted Installation Only:

Purchase two non-ducted filters from your local distributor or retailer (see product specification label for filter type). Attach the non-ducted filters following instructions packed with the non-ducted filter.

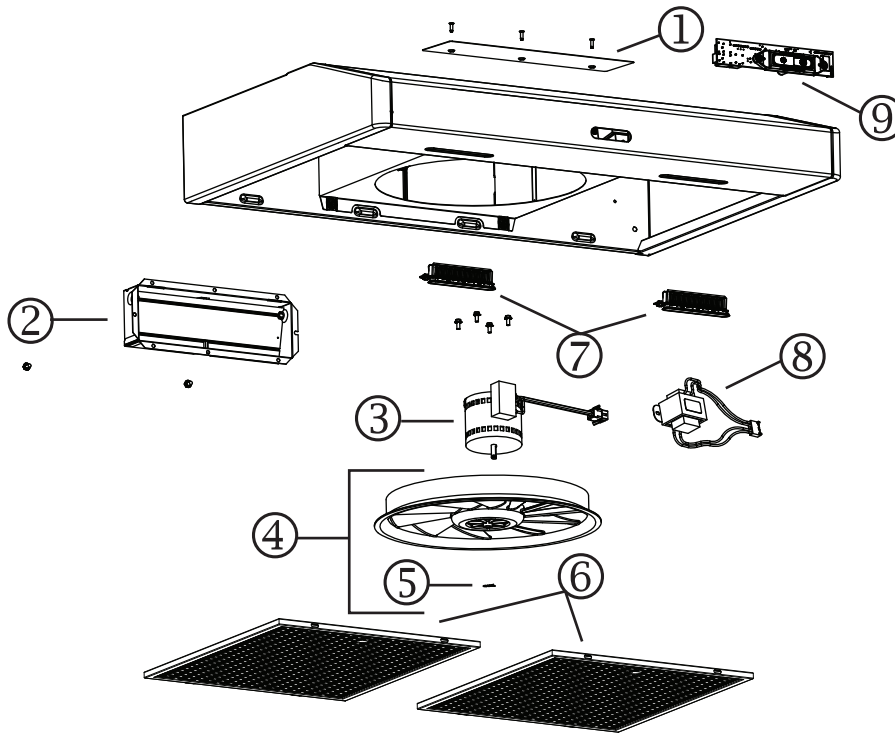
VCNDD1 SERIES

20 INSTALLATION MANUAL
WIRING DIAGRAM



User interface mounted to J10 on back of control board.

VCNDD1 SERIES



KEY NO.	PART NO.	DESCRIPTION	QUANTITY	
			30" WHITE	30" STAINLESS
1	S97020030	RECIRCULATION COVER PLATE, WHITE (INCLUDING SCREWS)	1	
	S97020031	RECIRCULATION COVER PLATE, STAINLESS STEEL (INCL. SCREWS)		1
2	S97020534	3¼" x 10" DAMPER ASSEMBLY (INCLUDING SCREWS)	1	1
3	S97020409	BLOWER MOTOR (INCLUDING 4 SCREWS AND 1 CAPACITOR)	1	1
4	S97020407	FANPELLER (INCLUDING ITEM 6)	1	1
5	SR99420635	CLIP FOR FANPELLER	1	1
6	S99010431-002	GREASE FILTER - MICRO MESH - OBLONG - TYPE C3 (SET OF 2)	1	1
7	S97020444	LED MODULE (PAIR)	1	1
8	S97020445	TRANSFORMER 24 V 18 VA (WITH SCREWS)	1	1
9	S97020431	CAPTOUCH CONTROL LED, STAINLESS (WITH SCREWS)		1
	S97020432	CAPTOUCH CONTROL LED, WHITE (WITH SCREWS)	1	
*	S97020360	PARTS BAG INCLUDING: 4 METAL SCREWS NO. 8-18 x 1/2"; 6 ROUND HEAD NO. 8 x 5/8" WOOD SCREWS, 6 NO. 8 x 1/2" COUNTERSUNK WOOD SCREWS	1	1
*	S97020466	NON-DUCTED FILTER - TYPE Xc (SET OF 2) (NON-DUCTED INSTALLATION ONLY)	1	1
*	S97020452	WIRE HARNESS	1	1
*	S98011637	WIRING COVER	1	1
*	S99527587	NON-DUCTED FILTER CLIP KIT (INCLUDES 4 CLIPS)	1	1
*	S97020470	EASY INSTALL KIT (INCLUDING HARDWARE)	1	1

* ITEM NOT SHOWN.

REPLACEMENT PARTS AND REPAIRS

In order to ensure your unit remains in good working condition, you must use Venmar Ventilation ULC genuine replacement parts only. Venmar Ventilation ULC genuine replacement parts are specially designed for each unit and are manufactured to comply with all the applicable certification standards and maintain a high standard of safety. Any third party replacement part used may cause serious damage and drastically reduce the performance level of your unit, which will result in premature failing. Venmar Ventilation ULC recommends to contact a certified service depot for all replacement parts and repairs.

Limited Warranty

Warranty Period and Exclusions: Venmar Ventilation ULC (the “Company”) warrants to the original consumer purchaser of its product (“you”) that the product (the “Product”) will be free from material defects in the Product or its workmanship for a period of five (5) years from the date of original purchase (or such longer period as may be required by applicable law). For Range Hood Product that includes built-in LED modules, the Company warrants the LED modules and driver to be free from material defects for a period of three (3) years from the date of purchase.

The limited warranty period for any replacement parts provided by the Company and for any Products repaired or replaced under this limited warranty shall be the remainder of the original warranty period (or such longer period as may be required by applicable law).

This warranty does not cover fluorescent lamp starters, tubes, halogen and incandescent bulbs, fuses, filters, ducts, roof caps, wall caps and other accessories for ducting that may be purchased separately and installed with the Product. This warranty also does not cover (a) normal maintenance and service, (b) normal wear and tear, (c) any Products or parts which have been subject to misuse, abuse, abnormal usage, negligence, accident, improper or insufficient maintenance, storage or repair (other than repair by the Company), (d) damage caused by faulty installation, or installation or use contrary to recommendations or instructions, (e) any Product that has been moved from its original point of installation, (f) damage caused by environmental or natural elements, (g) damage in transit, (h) natural wear of finish, (i) Products in commercial or nonresidential use, or (j) damage caused by fire, flood or other act of God or (k) Products with altered, defaced or removed serial numbers. This warranty covers only Products sold to original consumers in Canada by the Company or its Canadian distributors authorized by the Company.

This warranty supersedes all prior warranties and, subject to applicable law, is not transferable from the original consumer purchaser.

No Other Warranties: This Limited Warranty contains the Company’s sole obligation and your sole remedy for defective products. The foregoing warranties are exclusive and in lieu of any other warranties and conditions, express or implied. **THE COMPANY DISCLAIMS AND EXCLUDES ALL OTHER EXPRESS WARRANTIES AND CONDITIONS, AND DISCLAIMS AND EXCLUDES ALL WARRANTIES AND CONDITIONS IMPLIED BY LAW, INCLUDING WITHOUT LIMITATION THOSE OF MERCHANTABILITY AND FITNESS FOR A PARTICULAR PURPOSE.** To the extent that applicable law prohibits the exclusion of implied warranties or conditions, the duration of any applicable implied warranty or condition is limited to the period specified for the express warranty above. Some jurisdictions do not allow limitations on how long an implied warranty lasts, so the above limitation may not apply to you. Any oral or written description of the Product is for the sole purpose of identifying it and shall not be construed as an express warranty.

Whenever possible, each provision of this Limited Warranty shall be interpreted in such manner as to be effective and valid under applicable law, but if any provision is held to be prohibited or invalid, such provision shall be ineffective only to the extent of such prohibition or invalidity, without invalidating the remainder of such provision or the other remaining provisions of the Limited Warranty.

Remedy: During the applicable limited warranty period, the Company will, at its option, provide replacement parts for, or repair or replace, without charge, any Product or part thereof, to the extent the Company finds it to be covered by and in breach of this limited warranty under normal use and service. The Company will ship the repaired or replaced Product or replacement parts to you at no charge. You are responsible for all costs for removal, reinstallation and shipping, insurance or other freight charges incurred in the shipment of the Product or part to the Company. If you must send the Product or part to the Company, as instructed by the Company, you must properly pack the Product or part—the Company is not responsible for damage in transit. The Company reserves the right to utilize reconditioned, refurbished, repaired or remanufactured Products or parts in the warranty repair or replacement process. Such Products and parts will be comparable in function and performance to an original Product or part and warranted for the remainder of the original warranty period (or such longer period as may be required by applicable law).

Company reserves the right, in its sole discretion, to refund the money actually paid by you for the Product in lieu of repair or replacement. If the Product or component is no longer available, replacement may be made with a similar product of equal or greater value, at Company’s sole discretion. This is your sole and exclusive remedy for breach of this limited warranty.

Exclusion of Damages: **THE COMPANY’S OBLIGATION TO PROVIDE REPLACEMENT PARTS, OR REPAIR, REPLACE OR REFUND, AT THE COMPANY’S OPTION, SHALL BE YOUR SOLE AND EXCLUSIVE REMEDY UNDER THIS LIMITED WARRANTY AND THE COMPANY’S SOLE AND EXCLUSIVE OBLIGATION. THE COMPANY SHALL NOT BE LIABLE FOR INCIDENTAL, INDIRECT, CONSEQUENTIAL OR SPECIAL DAMAGES ARISING OUT OF OR IN CONNECTION WITH THE PRODUCT, ITS USE OR PERFORMANCE.** Incidental damages include but are not limited to such damages as loss of time and loss of use. Consequential damages include but are not limited to the cost of repairing or replacing other property which was damaged if the Product does not work properly.

THE COMPANY SHALL NOT BE LIABLE TO YOU, OR TO ANYONE CLAIMING UNDER YOU, FOR ANY OTHER OBLIGATIONS OR LIABILITIES, INCLUDING, BUT NOT LIMITED TO, OBLIGATIONS OR LIABILITIES ARISING OUT OF BREACH OF CONTRACT OR WARRANTY, NEGLIGENCE OR OTHER TORT OR ANY THEORY OF STRICT LIABILITY, WITH RESPECT TO THE PRODUCT OR THE COMPANY’S ACTS OR OMISSIONS OR OTHERWISE.

Some jurisdictions do not allow the exclusion or limitation of incidental or consequential damages, so the above limitation or exclusion may not apply to you. This warranty gives you specific legal rights, and you may also have other rights, which vary from jurisdiction to jurisdiction. The disclaimers, exclusions, and limitations of liability under this warranty will not apply to the extent prohibited by applicable law.

This warranty covers only replacement or repair of defective Products or parts thereof at the Company’s main facility and does not include the cost of field service travel and living expenses.

Any assistance the Company provides to or procures for you outside the terms, limitations or exclusions of this limited warranty will not constitute a waiver of such terms, limitations or exclusions, nor will such assistance extend or revive the warranty.

The Company will not reimburse you for any expenses incurred by you in repairing or replacing any defective Product, except for those incurred with the Company’s prior written permission.

How to Obtain Warranty Service: To qualify for warranty service, you must (a) notify the Company at the address or telephone number stated below within seven (7) days of discovering the covered defect, (b) give the model number and part identification and (c) describe the nature of any defect in the Product or part. At the time of requesting warranty service, you must present evidence of the original purchase date. If you cannot provide a copy of the original written limited warranty, then the terms of the Company’s most current written limited warranty for your particular product will control. The most current limited written warranties for the Company’s products can be found at www.venmar.ca.

Venmar Ventilation ULC, 550 Lemire Blvd., Drummondville, Québec, Canada J2C 7W9 www.venmar.ca 1-800-567-3855

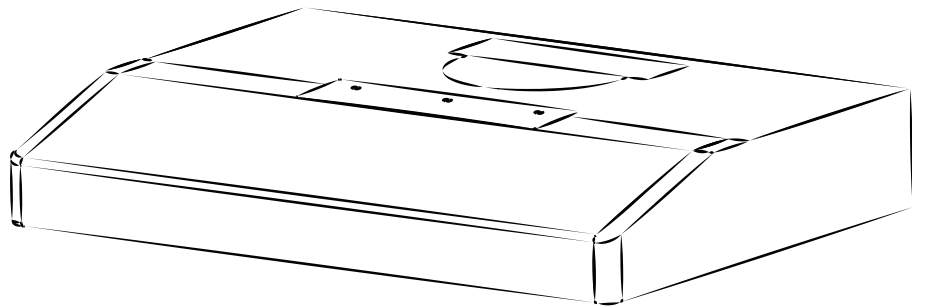
CHEF

VENMAR®

HOTTE DE CUISINIÈRE

Série : VCNDD1

MANUEL D'INSTALLATION,
D'UTILISATION ET D'ENTRETIEN



Numéro de série:

Sécurité	3-4
Fonctionnement	5
Nettoyage et entretien	6
Moteur	
Filtres à graisses	
Filtres de recirculation	
Hélice	
Nettoyage de l'acier inoxydable	
Nettoyage des surfaces peintes	
Installation	7-20
Outils et accessoires recommandés pour l'installation	7
Installation des conduits (installations avec conduits seulement)	7-8
Contenu	8
Préparation de la hotte	9-11
Préparation de l'emplacement de la hotte	12
Système d'installation par une personne EZ1	12-14
Installation de la hotte (avec supports EZ1) ..	15-16
Installation standard	17
Installation de la hotte (installation standard) ..	18
Branchement électrique	19
Installation des filtres	19
Schéma électrique	20
Pièces de rechange	21
Garantie	22

VEUILLEZ LIRE ET CONSERVER CES DIRECTIVES

⚠ Conçues pour usage domestique seulement ⚠

INSTALLATEUR: LAISSER CE MANUEL AU PROPRIÉTAIRE.

Enregistrez votre hotte en ligne à www.venmar.ca

⚠ AVERTISSEMENT



AFIN DE RÉDUIRE LES RISQUES D'INCENDIE, D'ÉLECTROCUTION OU DE BLESSURES CORPORELLES, SUIVEZ LES DIRECTIVES SUIVANTES :

- N'utilisez cet appareil que de la façon prévue par le manufacturier. Si vous avez des questions, contactez le manufacturier à l'adresse ou au numéro de téléphone indiqués dans la garantie.
- Avant de réparer ou de nettoyer l'appareil, couper l'alimentation électrique en verrouillant le panneau de distribution afin d'éviter sa remise en marche accidentelle. Si le panneau de distribution ne peut être verrouillé, y fixer un avertissement en évidence, telle qu'une étiquette de couleur vive.
- Les travaux d'installation et de raccordement électrique doivent être effectués par une personne qualifiée, conformément aux codes et aux standards de construction, incluant ceux concernant la protection contre les incendies.
- Une quantité d'air adéquate est requise afin d'assurer une bonne combustion et l'évacuation des gaz par la cheminée dans le cas des équipements alimentés au gaz afin de prévenir les retours de cheminée. Conformez-vous aux instructions et aux standards de sécurité des manufacturiers d'équipement de chauffage, tel qu'ils sont publiés par la National Fire Protection Association (NFPA) et l'American Society for Heating, Refrigeration and Air Conditioning Engineers (ASHRAE) ainsi que les responsables des codes locaux.
- Veillez à ne pas endommager le câblage électrique ou d'autres équipements non apparents lors de la découpe ou du perçage du mur ou du plafond.
- Les ventilateurs avec conduits doivent toujours évacuer l'air à l'extérieur.
- Ne pas utiliser cet appareil avec une commande de vitesse à semi-conducteur additionnelle.
- Afin de réduire les risques d'incendie, n'utilisez que des conduits de métal.
- Cet appareil doit être mis à la terre.
- Si désiré, ce produit peut être installé avec l'ensemble de cordon d'alimentation homologué par UL spécialement conçu pour ce produit, en suivant les directives incluses avec le cordon.
- Lorsqu'une réglementation est en vigueur et qu'elle comporte des exigences d'installation et/ou de certification plus restrictives, lesdites exigences prévalent sur celles de ce document et l'installateur entend s'y conformer à ses frais.

⚠ AVERTISSEMENT**AFIN DE RÉDUIRE LES RISQUES DE FEU DE CUISINIÈRE :**

- a) Ne jamais laisser les appareils de cuisson sans surveillance lorsqu'ils sont réglés à feu vif. Les débordements engendrent de la fumée et des déversements graisseux pouvant s'enflammer. Chauffez l'huile lentement, à feu doux ou moyen.
- b) Mettez toujours la hotte en marche lorsque vous cuisinez à feu vif ou que vous cuisinez des mets flambés (par ex. : crêpes Suzette, cerises jubilé, steaks au poivre flambés).
- c) Nettoyez régulièrement l'hélice du ventilateur. Ne laissez pas la graisse s'accumuler sur le ventilateur, le filtre ou les conduits d'évacuation.
- d) Utilisez le bon format de casserole. Servez-vous toujours de casseroles et d'ustensiles appropriés à la dimension de la surface chauffante.

AFIN DE RÉDUIRE TOUT RISQUE DE BLESSURES LORS D'UN FEU DE CUISINIÈRE, SUIVEZ CES DIRECTIVES* :

1. ÉTOUFFEZ LES FLAMMES avec un couvercle hermétique, une tôle à biscuits ou un plateau métallique et ensuite, éteignez le brûleur. PRENEZ SOIN D'ÉVITER LES BRÛLURES. SI LES FLAMMES NE S'ÉTEIGNENT PAS IMMÉDIATEMENT, ÉVACUEZ LES LIEUX ET APPELEZ LES POMPIERS.
2. NE PRENEZ JAMAIS UNE CASSEROLE EN FLAMMES DANS VOS MAINS. Vous pourriez vous brûler.
3. N'UTILISEZ PAS D'EAU, incluant un linge à vaisselle ou une serviette mouillée, cela pourrait occasionner une violente explosion de vapeur.
4. N'utilisez un extincteur QUE DANS LE CAS OÙ :
 - A. Vous possédez un extincteur de classe ABC et vous en connaissez le fonctionnement.
 - B. Le feu est petit et limité à l'endroit où il a débuté.
 - C. Les pompiers ont été avisés.
 - D. Vous pouvez combattre le feu en ayant accès à une sortie de secours.

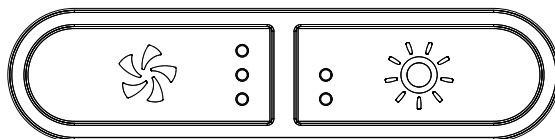
* Tirées du *Kitchen Fire Safety Tips* publié par la NFPA.

⚠ ATTENTION

- Pour une utilisation à l'intérieur seulement.
- Pour usage domestique seulement. Ne pas utiliser pour évacuer des vapeurs ou des matières dangereuses ou explosives.
- Afin d'éviter tout dommage aux moteurs et de déséquilibrer ou de rendre bruyantes les roues du ventilateur, garder votre appareil à l'abri des poussières de gypse et de construction/rénovation, etc.
- Le moteur de votre hotte possède une protection thermique qui éteindra automatiquement le moteur s'il devient surchauffé. Le moteur redémarrera automatiquement une fois refroidi. Si le moteur continue à arrêter et à redémarrer, faites-le vérifier.
- Pour une meilleure évacuation des odeurs de cuisson, le bas de votre hotte devrait être situé À UN MINIMUM de 18 po et à un maximum de 24 po au-dessus de la surface de cuisson.
- Toujours suivre les recommandations du fabricant de l'appareil de cuisson concernant les exigences de cet appareil en matière de ventilation.
- Afin de réduire les risques d'incendie et évacuer l'air adéquatement, assurez-vous que les conduits évacuent l'air à l'extérieur. Ne pas évacuer l'air dans des espaces restreints comme l'intérieur des murs ou plafond ou dans le grenier, faux plafond ou garage.
- Il est recommandé de porter des lunettes et des gants de sécurité lors de l'installation, de l'entretien ou de la réparation de cet appareil.
- Veuillez consulter l'autocollant apposé à l'intérieur de la hotte pour plus d'information ou autres exigences.

Fonctionnement

Toujours mettre en marche la hotte avant de commencer la cuisson afin d'établir une circulation d'air dans la cuisine. Laisser également la hotte fonctionner quelques minutes après l'arrêt de la cuisinière afin de nettoyer l'air. Cela aidera à maintenir la cuisine plus propre et plus fraîche. Faire fonctionner la hotte comme suit :



BOUTON DU VENTILATEUR

Lorsque le ventilateur est en ARRÊT, appuyer sur ce bouton pour ACTIVER le ventilateur à la dernière vitesse mémorisée. Si aucune vitesse n'est mémorisée, le ventilateur s'activera en BASSE vitesse.

NOTE : Si la basse vitesse est activée lorsque le ventilateur est en ARRÊT, le ventilateur démarre en vitesse MOYENNE pour un très court laps de temps, puis se règle en BASSE vitesse.

Pour changer la vitesse du ventilateur, appuyer encore sur ce bouton jusqu'à l'atteinte de la vitesse désirée (de BASSE à MOYENNE à HAUTE). À partir de la HAUTE vitesse, appuyer une autre fois sur le bouton pour ARRÊTER le ventilateur. À chaque fois qu'une vitesse de ventilateur est activée, un bip se fait entendre et un ou des témoins DEL s'allument pour indiquer la vitesse choisie (DEL du bas pour la BASSE vitesse, DEL du bas et centrale pour la vitesse MOYENNE et toutes les DEL pour la HAUTE vitesse).

Lorsque le ventilateur fonctionne (peu importe la vitesse), appuyer et maintenir la pression sur ce bouton jusqu'à ce que le bip s'arrête; ceci arrêtera le ventilateur et mémorisera sa vitesse.



BOUTON DE L'ÉCLAIRAGE

Lorsque l'éclairage est ÉTEINT, appuyer une fois sur ce bouton pour ALLUMER les lumières à leur dernier niveau d'intensité mémorisé. Si aucun niveau d'intensité d'éclairage n'est mémorisé, les lumières allumeront en BASSE intensité. Appuyer une autre fois pour régler l'éclairage à HAUTE intensité. À partir de la HAUTE intensité, appuyer une autre fois sur le bouton pour ÉTEINDRE les lumières. À chaque fois que les lumières sont allumées, un bip se fait entendre et un ou deux témoins DEL s'allument pour indiquer l'intensité d'éclairage choisie (DEL du bas pour la BASSE intensité et les deux DEL pour la HAUTE intensité).

Lorsque les lumières sont allumées (peu importe le niveau d'éclairage), appuyer et maintenir la pression sur ce bouton jusqu'à ce que le bip s'arrête; ceci éteindra les lumières et mémorisera l'intensité choisie.

Cette hotte est munie de modules DEL offrant un éclairage brillant, issus de la plus récente technologie en matière d'éclairage de surface de cuisson et spécialement conçus pour fonctionner dans un environnement à chaleur élevée. Leur durabilité est jusqu'à 25 fois supérieure à celle d'ampoules standards et ils sont plus robustes que les ampoules à DEL typiques.

RAPPEL D'ENTRETIEN DES FILTRES

Lorsqu'il est temps de nettoyer la hotte et les filtres (voir Nettoyage et entretien en page 6), les 3 témoins DEL du bouton du ventilateur clignoteront lentement durant 30 secondes après avoir arrêté le ventilateur. Ce clignotement se produira à toutes les fois où on arrêtera le ventilateur, jusqu'à ce que le rappel d'entretien des filtres soit remis à zéro. Une fois le nettoyage terminé, remettre les témoins à zéro en appuyant 3 secondes sur le bouton du ventilateur pendant les 30 secondes de clignotement des DEL.

Nettoyage et entretien

L'entretien adéquat de la hotte préservera ses performances.

MOTEUR

Le moteur est lubrifié en permanence et n'a pas besoin d'être huilé. Si les roulements du moteur sont anormalement bruyants, remplacer le moteur uniquement par le même modèle. L'hélice doit aussi être remplacée.

FILTRES À GRAISSES

Les filtres à graisses doivent être nettoyés fréquemment. Utiliser une solution d'eau chaude et de détergent.

Nettoyer les filtres fabriqués entièrement de métal au lave-vaisselle à l'aide d'un détergent sans phosphate. L'utilisation d'un détergent avec phosphates ainsi que les conditions locales de l'eau peuvent entraîner une décoloration des filtres, sans toutefois affecter leur performance. Cette décoloration n'est pas couverte par la garantie. Afin de prévenir ou de limiter la décoloration, laver les filtres à la main avec un détergent doux.

FILTRES DE RECIRCULATION

Les filtres de recirculation devraient être remplacés tous les 3 à 6 mois. Remplacer plus souvent si vos habitudes de cuisson génèrent plus de graisses, comme par exemple la friture ou les aliments sautés au wok. Voir les directives d'installation incluses avec les filtres de recirculation.

HÉLICE

L'hélice doit être nettoyée fréquemment. Utiliser un chiffon propre imbibé d'une solution d'eau chaude et de détergent.

NETTOYAGE DE L'ACIER INOXYDABLE

À faire :

- Laver régulièrement les surfaces à l'aide d'un chiffon propre imbibé d'eau chaude et de savon doux ou de détergent liquide à vaisselle.
- Toujours nettoyer dans le sens du polissage.
- Toujours bien rincer avec de l'eau claire (2 à 3 fois) et essuyer complètement.
- Un nettoyant domestique conçu spécialement pour l'acier inoxydable peut aussi être utilisé.

À ne pas faire :

- Ne pas utiliser de laine d'acier ou d'acier inoxydable ou tout autre grattoir pour enlever la saleté tenace.
- Ne pas utiliser une poudre nettoyante abrasive ou rugueuse.
- Ne pas laisser la saleté s'accumuler.
- Ne pas laisser la poussière de plâtre ou tout autre résidu de construction atteindre la hotte. Couvrir la hotte pour la durée des travaux afin de s'assurer qu'aucune poussière n'atteigne la hotte.

À éviter lors du choix du détergent :

- Tous produits nettoyants contenant des **agents de blanchiment**; ils attaqueront l'acier inoxydable.
- Tous produits contenant du **chlorure**, du **fluorure**, de l'**iode** ou du **bromure**; ils détérioreront rapidement les surfaces.
- Tous produits combustibles utilisés pour le nettoyage : **acétone**, **alcool**, **éther**, **benzène**, etc.; ils sont grandement explosifs et ne devraient jamais être utilisés près d'une cuisinière.

NETTOYAGE DES SURFACES PEINTES :

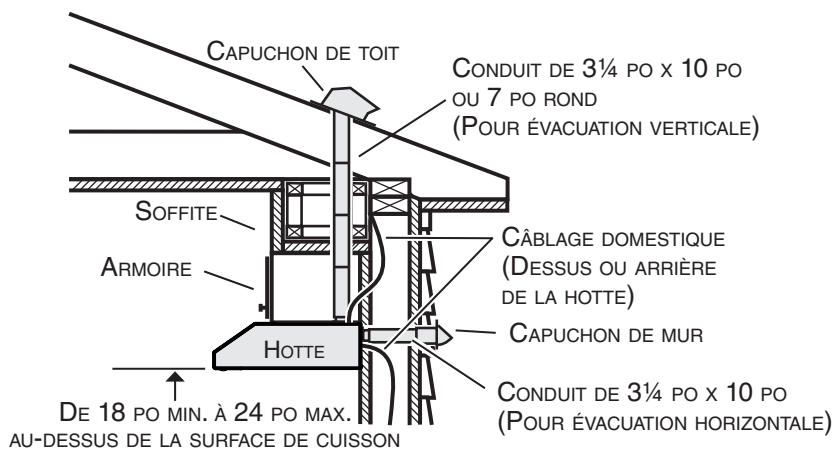
Nettoyer avec de l'eau chaude additionnée de détergent doux seulement. S'il y a décoloration, utiliser une bonne cire telle qu'une cire automobile. (NE PAS utiliser de nettoyant abrasif ou de nettoyant à porcelaine.)

Pour connaître les lignes directrices de l'ADA (*Americans with Disabilities Act*) concernant l'installation, veuillez entrer votre numéro de modèle dans notre site Internet.

Outils et accessoires recommandés pour l'installation

- Ruban à mesurer
- Tournevis Phillips n° 2
- Tournevis à lame plate (pour dégager les ouvertures préamorcées)
- Perceuse, foret de 1/8 po et scie cloche de 1½ po (pour marquer les repères des trous pour les conduits et découper le trou pour le passage du fil d'alimentation électrique)
- Foret de 7/64 po (pour percer les trous des vis de montage des supports EZ1)
- Plaque pour conduit rond de 7 po, non incluse (pour conduit vertical de 7 po rond, pièce n° : SR680508)
- Cales de bois (2) et vis à bois (4) (requis pour une installation sous une armoire à fond en retrait)
- Scie (pour la découpe des trous d'une installation avec conduits)
- Cisailles à tôle (installation avec conduits, pour l'ajustement de ceux-ci)
- Pinces (installation avec conduits, pour l'ajustement de ceux-ci)
- Ruban adhésif de métal (installation avec conduits)
- Ciseaux (pour couper le ruban adhésif de métal)
- Crayon
- Pince à dénuder
- Serre-fils de 1/2 po de diamètre (pour fixer le câble d'alimentation électrique de la maison à la hotte)
- Volet BP87Q (nécessaire si des conduits de 7 po ronds sont utilisés)

Installation des conduits (installations avec conduits seulement)



NOTE : Une distance supérieure à 24 po demeure à la discrétion de l'installateur et de l'utilisateur.

- 1] Déterminer si l'évacuation se fera verticalement (3/4 po x 10 po ou 7 po rond), ou horizontalement (3/4 po x 10 po seulement).
- 2] Établir où le conduit passera entre la hotte et l'extérieur.
- 3] Un conduit droit et court permettra à votre hotte de fonctionner plus efficacement. Un conduit long avec des coudes et des transitions réduira la performance de votre hotte. En utiliser le moins possible. Si possible, utiliser un conduit droit d'au moins 2 pieds avant d'installer un coude. Pour une grande distance, un conduit d'évacuation de l'air au diamètre plus grand peut être requis pour obtenir une meilleure performance.


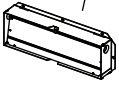
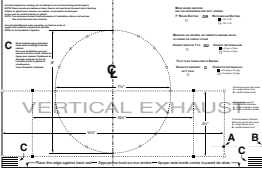





NOTE : Pour utiliser des conduits ronds de 6 po, installer une transition de 3/4 po x 10 po à 6 po rond (non incluse). Les performances pourraient être affectées.

- 4] Installer un capuchon de toit ou de mur (vendus séparément). Relier le conduit en métal au capuchon, puis acheminer le conduit jusqu'à l'emplacement de la hotte. Sceller hermétiquement les raccords à l'aide de ruban adhésif de métal de 2 po de largeur.

Contenu

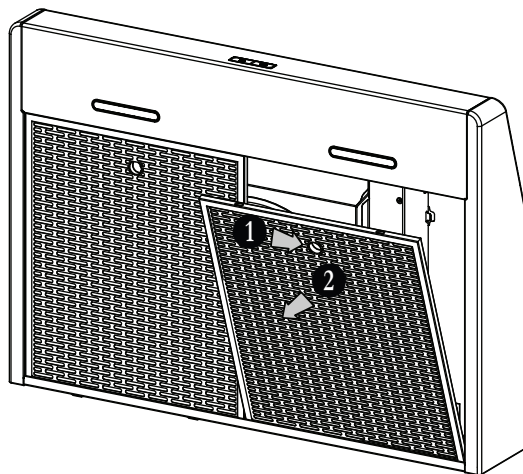
Avant de procéder à l'installation, vérifier le contenu de la boîte. Si des articles sont manquants ou endommagés, contacter le fabricant.

S'assurer que les articles suivants sont inclus :

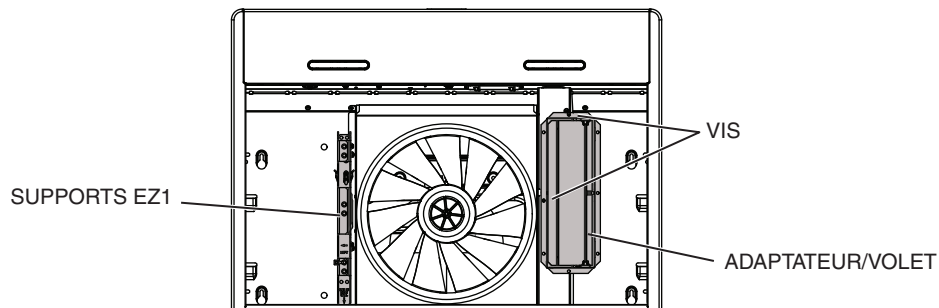
	<p>* À L'INTÉRIEUR DE LA HOTTE</p>
<p>(2) FILTRES À GRAISSES</p>	 <p>(1) ADAPTATEUR/VOLET* 3 1/4 PO X 10 PO</p>
<p>COMPOSANTS EZ1</p>	
	<p>(1) GABARIT POUR CONDUITS (IMPRIMÉ SUR LES DEUX CÔTÉS)</p>
	<p>(2) SUPPORTS D'INSTALLATION** POUR ARMOIRE AVEC FOND EN RETRAIT</p>
	<p>(2) SUPPORTS D'INSTALLATION** POUR ARMOIRE AVEC FOND RÉGULIER</p>
<p>** LES SUPPORTS D'INSTALLATION EZ1 SONT FIXÉS À L'INTÉRIEUR DE LA HOTTE.</p>	
<p>(1) SAC DE PIÈCES*** COMPRENANT :</p>	
	<p>(4) VIS À MÉTAUX N° 8-18 X 1/2 PO</p>
	<p>(6) VIS À BOIS À TÊTE RONDE N° 8 X 5/8 PO</p>
	<p>(6) VIS À BOIS À TÊTE FRAISÉE N° 8 X 1/2 PO</p>
<p>*** LE SAC DE PIÈCES SE TROUVE DERRIÈRE L'ADAPTATEUR/VOLET À L'INTÉRIEUR DE LA HOTTE</p>	

Préparation de la hotte

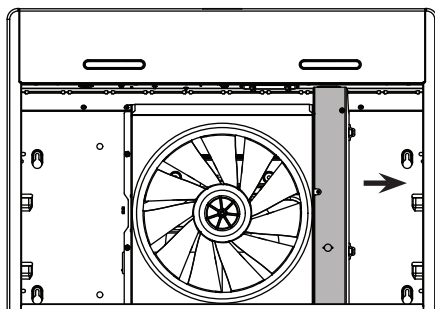
- 1] Retirer toute pellicule de plastique protectrice sur la hotte et/ou ses pièces.
- 2] Enlever les filtres à graisses en insérant un doigt dans la prise concave de chaque filtre à graisses, puis en les poussant vers l'arrière de la hotte ❶ et en les basculant ❷.



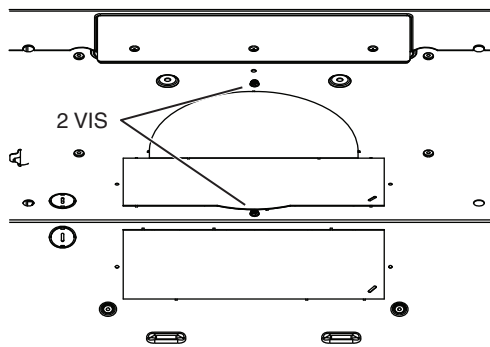
- 3] Détacher les supports EZ1 de l'intérieur de la hotte en coupant leur attache autobloquante. Retirer les deux vis retenant l'adaptateur/volet à la hotte. Retirer l'adaptateur/volet de l'intérieur de la hotte et garder les vis pour utilisation ultérieure. Retirer le sac de pièces de la hotte (retenu derrière l'adaptateur/volet).



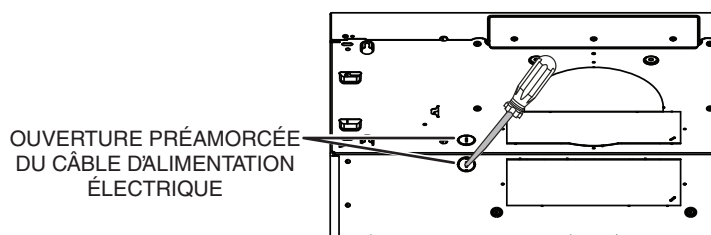
- 4] Retirer le couvercle du compartiment électrique (en gris dans l'illustration ci-dessous) en le glissant hors de la hotte et le mettre de côté.



- 5] Retirer les deux vis du dessus de la hotte (voir l'illustration ci-dessous). Garder les vis pour usage ultérieur.

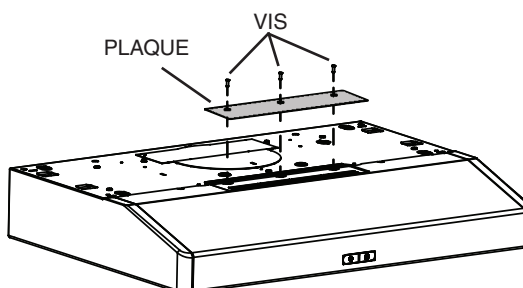


- 6] Retirer l'ouverture préamorcée du câble d'alimentation électrique du dessus (évacuation verticale) ou de l'arrière de la hotte (évacuation horizontale). Installer un serre-fils approprié de 1/2 po de diamètre (non inclus).



INSTALLATION EN RECIRCULATION SEULEMENT

- 7] Retirer les 3 vis retenant la plaque couvrant la grille de recirculation (en gris dans l'illustration ci-dessous) à la hotte. Se défaire de cette plaque et de ses vis.



INSTALLATION AVEC CONDUITS SEULEMENT

- 8] Retirer les ouvertures préamorcées de 3¼ po x 10 po verticale, 3¼ po x 10 po horizontale, ou 7 po ronde selon le mode d'évacuation choisi (voir les **FIGURES 1 A** et **1 B**).

FIGURE 1 A

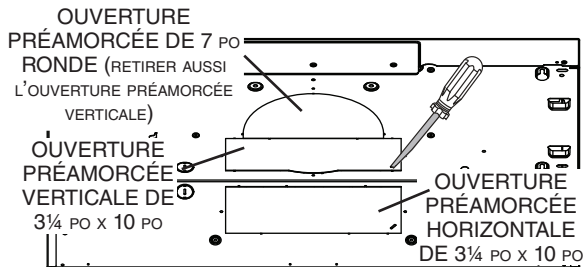
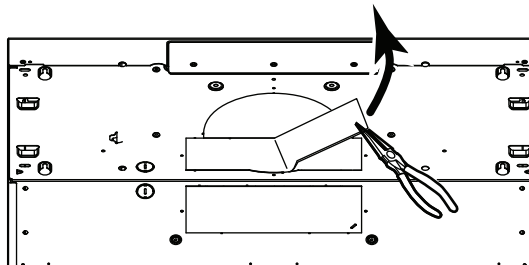


FIGURE 1 B



- 9] Installer l'adaptateur/voilet de 3¼ po x 10 po sur le dessus OU à l'arrière de la hotte (en gris dans la **FIGURE 2 A** ci-dessous; si un conduit de 3¼ po x 10 po est utilisé) ou la plaque pour conduit rond de 7 po (si un conduit de 7 po rond est utilisé, voir la **FIGURE 3**) par-dessus l'ouverture dégagée. Lorsqu'il est installé, l'adaptateur/voilet de 3¼ po x 10 po doit s'ouvrir comme il est indiqué à la **FIGURE 2 B**.

FIGURE 2 A

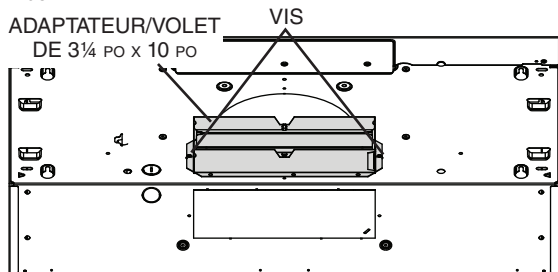


FIGURE 2 B

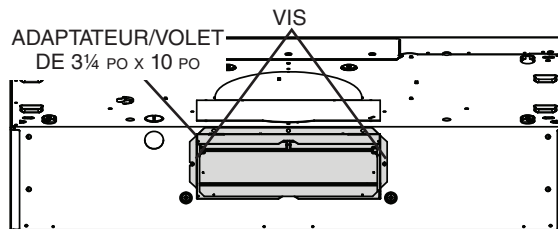
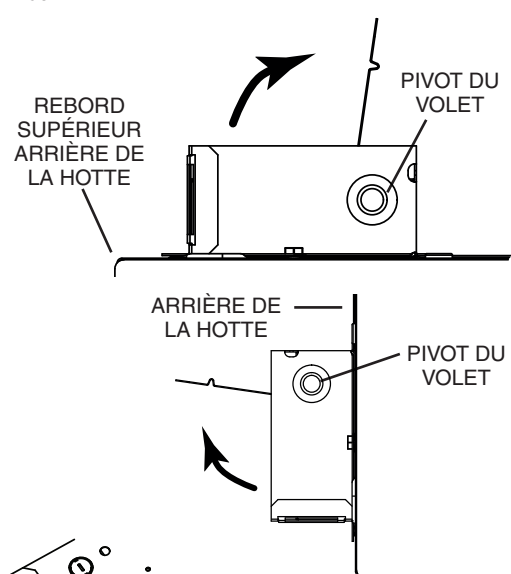
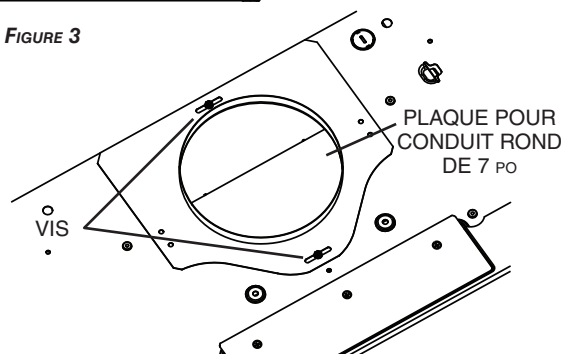


FIGURE 3



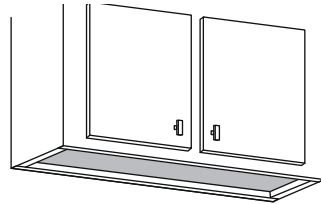
NOTE : La plaque pour conduit rond de 7 po peut être glissée latéralement, jusqu'à 1/2 po de chaque côté, pour s'ajuster à un conduit décentré.

TRUC : Glisser une petite longueur de conduit par dessus l'adaptateur/voilet de 3¼ po x 10 po (pour un conduit rectangulaire) ou de 7 po rond (pour un conduit rond) et sceller le joint à l'aide de ruban adhésif d'aluminium pour faciliter le raccord avec le reste des conduits.

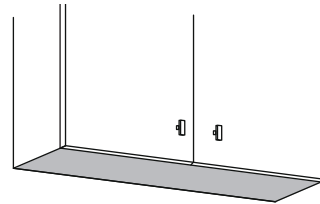
Préparation de l'emplacement de la hotte

NOTE : Avant de commencer l'installation, veuillez lire toutes les étapes de cette instruction. Identifier votre type d'armoire de cuisine à l'aide de l'illustration ci-dessous.

ARMOIRE À FOND EN RETRAIT



ARMOIRE À FOND ÉGAL



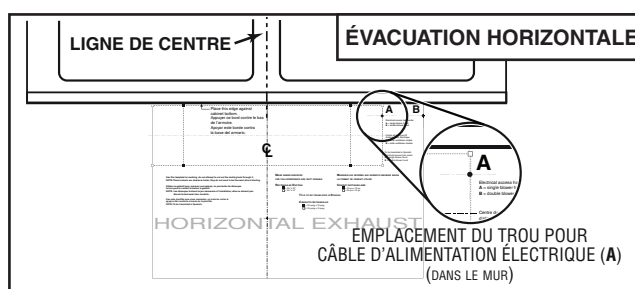
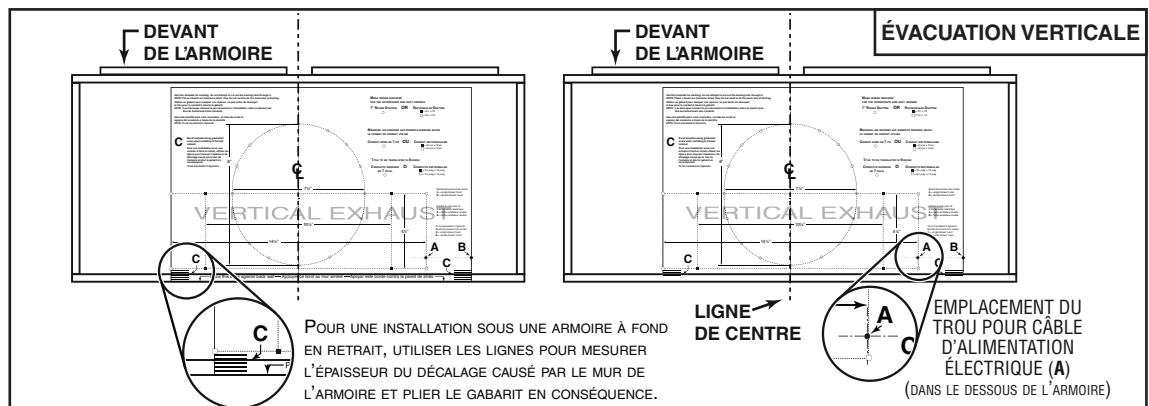
Ce manuel couvre deux types d'installation: l'installation standard (sans les supports EZ1) et le système d'installation par une personne EZ1 (en utilisant le gabarit et les supports inclus). Pour l'installation standard, allez en page 17.

Système d'installation par une personne EZ1

L'installation EZ1 a été conçue pour être utilisée avec des armoires de cuisine ayant la même largeur que la hotte de cuisinière. Si la largeur de l'armoire dépasse de 1/2 po la largeur de la hotte, veuillez utiliser la méthode d'installation standard.

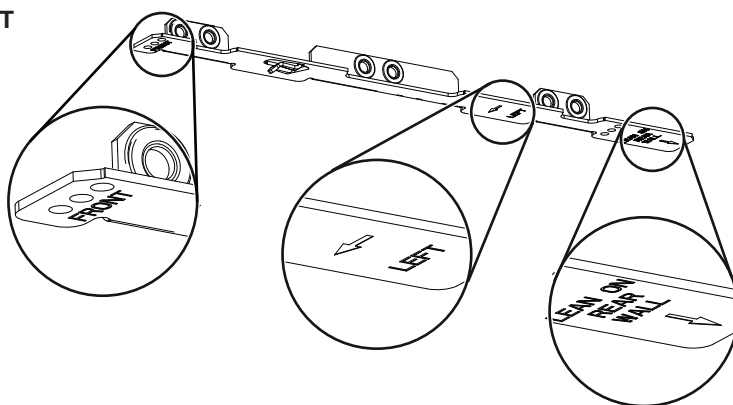
- 1] Utiliser le gabarit approprié (inclus) pour évacuation verticale OU horizontale pour déterminer l'emplacement des conduits et du câble d'alimentation dans l'armoire ou dans le mur. Pour une installation sans conduit, NE PAS pratiquer d'ouverture; découper seulement un trou pour le câble d'alimentation. **Lors d'un remplacement d'une hotte, si vous prévoyez utiliser les conduits et le câble électrique déjà existants, les étapes 2 à 5 pourraient ne pas être nécessaires. Le cas échéant, aller directement à l'étape 6.**
- 2] Mesurer et tracer la ligne de centre de l'armoire sous l'armoire (ou sur le mur arrière).
- 3] Aligner la ligne de centre du gabarit avec celle tracée sous l'armoire (ou le mur arrière), en appuyant le bord du gabarit (où il est indiqué) contre le mur arrière. Pour une installation à évacuation verticale sous une armoire à fond en retrait, plier le bord du gabarit de la valeur de l'épaisseur du bord de l'armoire appuyé au mur (utiliser les lignes C du gabarit). Fixer le gabarit en place avec du ruban adhésif.

NOTE : Face à l'installation, les lettres A et B (sur le gabarit) sont à droite.

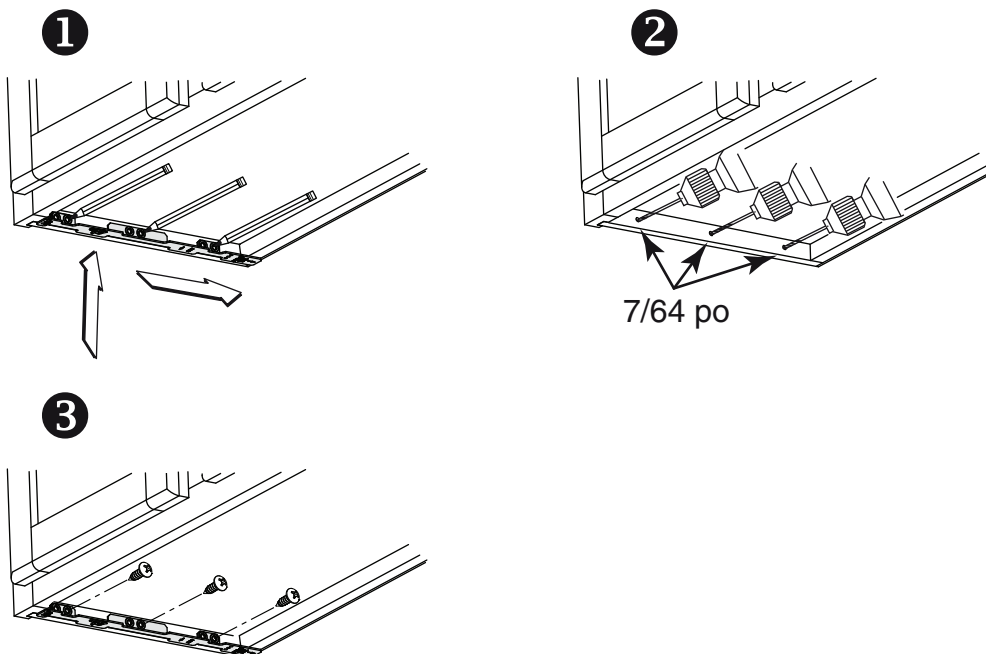


- 4] Percer un avant-trou de 1/8 po de diamètre pour le câble d'alimentation, à l'emplacement **A** sur le gabarit.
- 5] Utiliser un crayon pointu ou un foret de 1/8 po pour marquer les repères du trou pour le conduit approprié (16 endroits pour le conduit rond de 7 po, ou aux 4 coins pour les conduits rectangulaires). Retirer le gabarit.
- 6] Dessiner le contour du trou pour le conduit d'évacuation en reliant les repères (16 pour le conduit rond de 7 po ou 4 pour le conduit rectangulaire), pour découper l'ouverture dans le dessous de l'armoire (évacuation verticale) ou dans le mur (évacuation horizontale). Percer le trou pour le câble d'alimentation électrique à l'aide d'une scie cloche de 1 1/2 po centrée avec l'avant-trou percé précédemment à l'étape 4.
- 7] Installer les supports d'installation appropriés selon le type d'armoire (à fond en retrait ou fond égal). Voir ci-dessous.

ARMOIRE À FOND EN RETRAIT

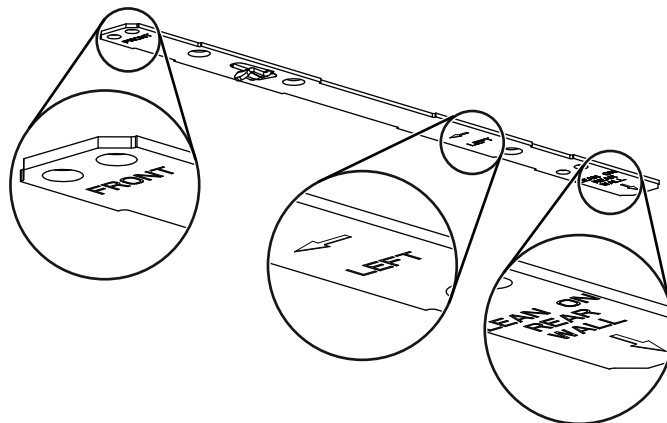


Voir les inscriptions sur les supports pour les installer dans le bon sens (inscriptions en anglais seulement : *front* = avant, *left* = gauche, *lean on rear wall* = appuyer sur le mur arrière).

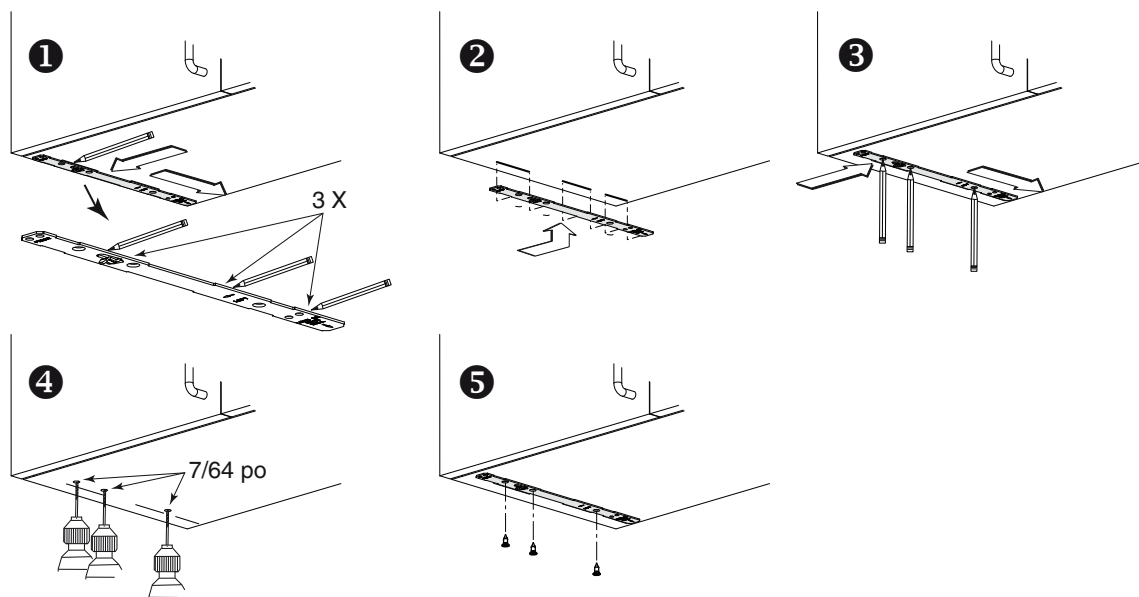


- ❶ Appuyer le support correspondant au rebord latéral de l'armoire, tout en appuyant l'extrémité arrière du support contre le mur. Utiliser un crayon pour tracer l'emplacement de 3 trous (il y a 6 trous mais seulement 3 sont nécessaires).
- ❷ Retirer le support. À l'aide d'un foret de 7/64 po, percer les 3 trous où ils sont indiqués.
- ❸ Fixer le support au rebord latéral de l'armoire à l'aide d'un tournevis Phillips et de 3 vis à bois n° 8 x 5/8 po. Répéter l'opération pour l'autre côté de l'armoire.

ARMOIRE AVEC
FOND ÉGAL



Voir les inscriptions sur les supports pour les installer dans le bon sens (inscriptions en anglais seulement : *front* = avant, *left* = gauche, *lean on rear wall* = appuyer sur le mur arrière).

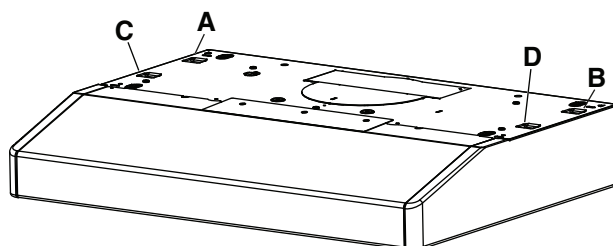


- ❶ Aligner le support correspondant au côté de l'armoire, tout en appuyant l'extrémité arrière du support contre le mur. Tracer une ligne le long du rebord externe du support (tel qu'il est illustré).
- ❷ Glisser le support vers le centre de l'armoire et aligner ses côtés extérieur sur la ligne tracée, en gardant l'extrémité arrière toujours appuyée au mur.
- ❸ À l'aide d'un crayon, tracer les 3 trous.
- ❹ Retirer le support. À l'aide d'un foret de 7/64 po, percer les 3 trous où ils sont indiqués.
- ❺ Fixer le support au bas de l'armoire à l'aide d'un tournevis Phillips et de 3 vis à bois à tête fraisée fournies. Répéter l'opération pour l'autre côté de l'armoire.

Installation de la hotte (avec supports EZ1)

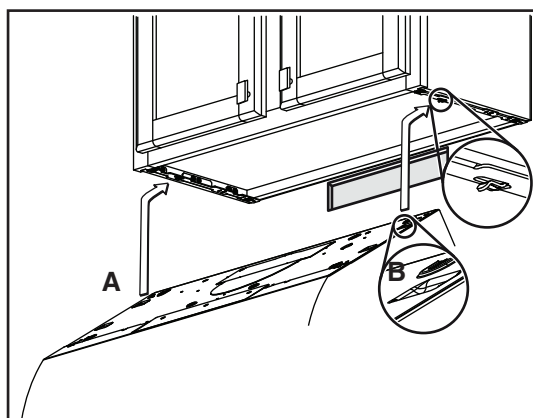
NOTE : La procédure convient autant pour les armoires à fond en retrait qu'à fond égal.

- 1] Acheminer le câble d'alimentation depuis le panneau de distribution de la maison jusqu'à l'emplacement de la hotte.
- 2] De chaque côté de la hotte, sur le dessus, se trouvent 2 paires de trous enfoncés (à l'arrière : **A** et **B**, à l'avant : **C** et **D** dans l'illustration ci-dessous); ces trous permettent à la hotte de s'accrocher aux supports (installés précédemment).



INSTALLATION POUR ÉVACUATION HORIZONTALE SEULEMENT

- 3] Accrocher temporairement la hotte aux supports, uniquement par les 2 TROUS ENFONCÉS ARRIÈRE (**A** et **B**). **Tout en retenant la hotte**, passer le câble d'alimentation électrique dans la hotte à travers le serre-fils installé précédemment à l'étape 6 en page 10.



- 4] Décrocher les trous arrière de la hotte des supports et accrocher la hotte en utilisant ses 2 TROUS ENFONCÉS AVANT (**C** et **D**). **Tout en retenant la hotte**, fixer le câble d'alimentation électrique à la hotte à l'aide du serre-fils.

INSTALLATION POUR ÉVACUATION VERTICALE ET SANS CONDUITS SEULEMENT

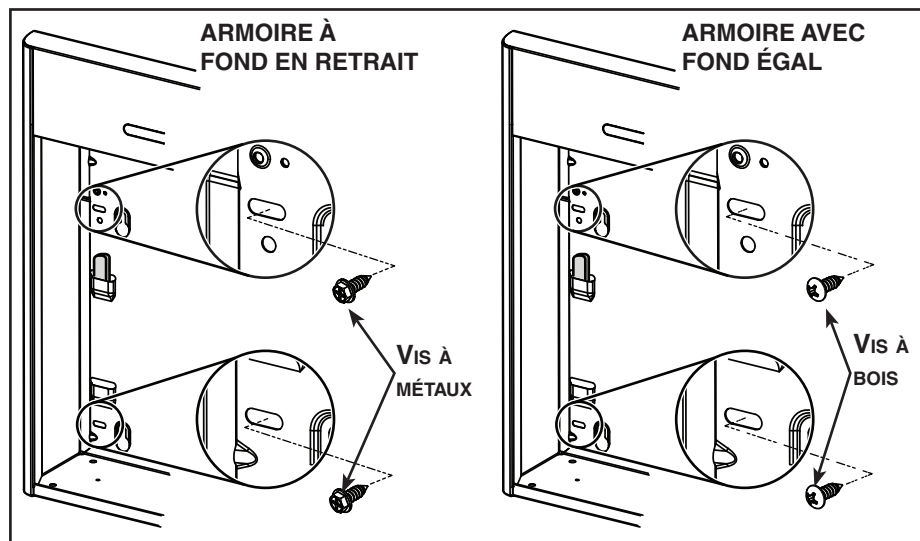
- 5] Accrocher la hotte aux supports par les 2 TROUS ENFONCÉS AVANT (**C** et **D**). **Tout en retenant la hotte**, insérer le câble d'alimentation dans le serre-fils installé précédemment à l'étape 6 en page 10 et le fixer à la hotte.

INSTALLATION AVEC CONDUITS SEULEMENT

- 6] Raccorder le conduit à la hotte et sceller les joints avec du ruban adhésif de métal. S'assurer que l'adaptateur/volet (ou la plaque pour conduit rond) entre dans le conduit et que son volet ouvre et ferme librement.

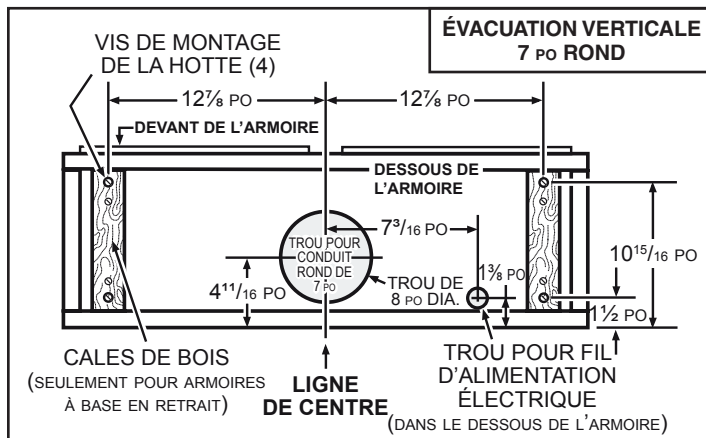
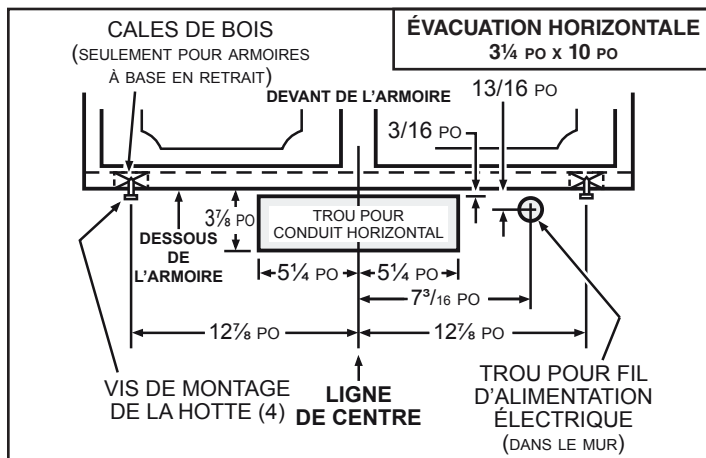
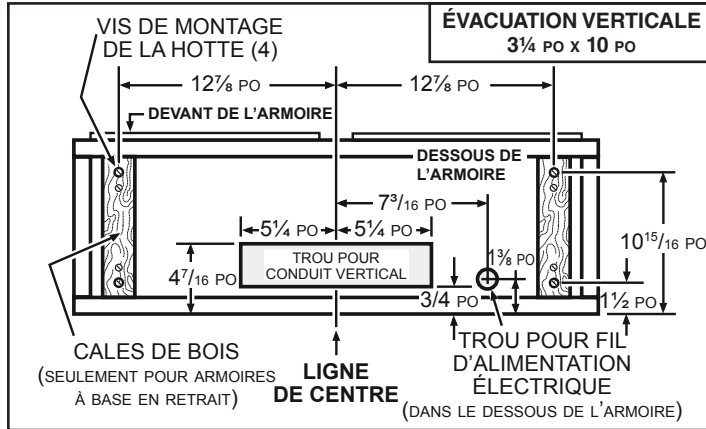
NOTE : Voir la page suivante pour les dernières étapes de cette instruction.

- 7] **Pour une armoire à fond en retrait**, fixer la hotte au supports EZ1 à l'aide de quatre (4) vis à métaux n° 8-18 x 1/2 po (incluses dans le sac de pièces). Insérer deux (2) vis par côté, dans les fentes (tel qu'il est démontré dans les médaillons de l'illustration ci-dessous).
- 8] **Pour une armoire à fond égal**, fixer la hotte à l'armoire à l'aide de quatre (4) vis à bois à tête ronde n° 8 x 5/8 po (incluses dans le sac de pièces). Insérer deux (2) vis par côté, dans les fentes (tel qu'il est démontré dans les médaillons de l'illustration ci-dessous).



Installation standard (sans supports EZ1)

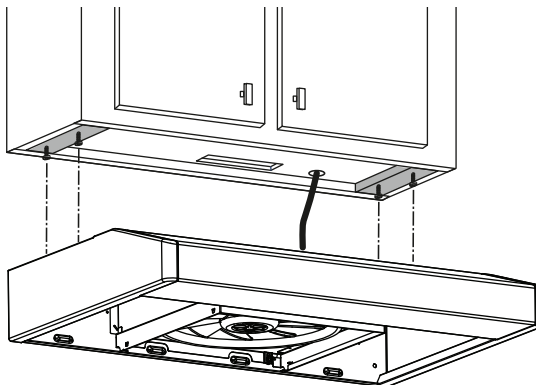
- 1] Utiliser le diagramme approprié ci-dessous pour déterminer l'emplacement exact des coupes à effectuer pour le conduit et le fil d'alimentation électrique dans l'armoire ou le mur. Pour une installation en recirculation, NE PAS découper un trou pour le conduit.



- 2] Visser à mi-hauteur 4 vis de montage n° 8 x 5/8 po, À TÊTE RONDE, dans les cales/armoire, selon le diagramme approprié ci-dessus. (Les vis de montage sont incluses dans le sac de pièces, mais les cales de bois et leurs vis ne le sont pas.)

Installation de la hotte (installation standard)

- 1] Acheminer le câble d'alimentation électrique du panneau de distribution jusqu'à l'emplacement de la hotte. Insérer le câble d'alimentation dans la hotte à travers le serre-fils installé précédemment à l'étape 6 en page 10.
- 2] Suspendre la hotte à l'aide des 4 vis de montage installées précédemment. Glissez la hotte vers le mur de manière à engager la tête des vis dans la partie étroite des trous en forme de serrure du dessus de la hotte. **Tout en retenant la hotte**, serrer les vis fermement. Fixer le fil d'alimentation à la hotte à l'aide du serre-fils.



INSTALLATION AVEC CONDUITS SEULEMENT

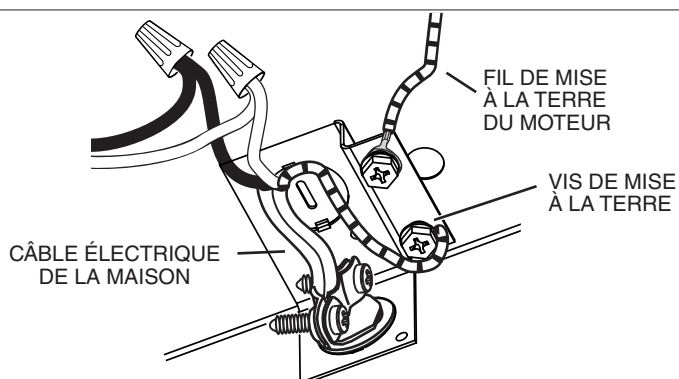
- 3] Raccorder le conduit à la hotte et sceller les joints avec du ruban adhésif de métal. S'assurer que l'adaptateur/volet (ou la plaque pour conduit rond, sans volet) entre dans le conduit et que son volet ouvre et ferme librement.

Branchement électrique

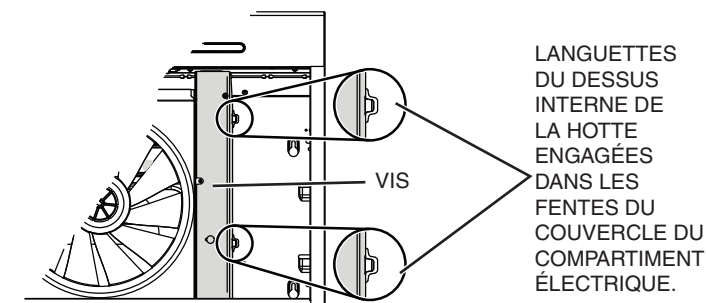
⚠ AVERTISSEMENT



Risque d'électrocution. Le raccordement électrique doit être effectué par du personnel qualifié conformément aux codes et aux standards en vigueur. Avant d'effectuer le branchement, coupez l'alimentation électrique au panneau de distribution et verrouillez-le pour éviter une mise en marche accidentelle.



- 1] Connecter le câble électrique de la maison avec les fils de la hotte : le fil NOIR au fil NOIR, le fil BLANC au BLANC et le fil VERT ou fil dénudé à la vis VERTE de mise à la terre.



- 2] Remettre en place le couvercle du compartiment électrique et le fixer à la hotte avec sa vis de retenue.

⚠ ATTENTION

S'assurer que les deux languettes du dessus interne de la hotte sont engagées dans les fentes correspondantes du couvercle du compartiment électrique. Aussi, prendre garde de ne pas pincer les fils lors de la remise en place du couvercle.

Installation des filtres

Installation avec conduits seulement :

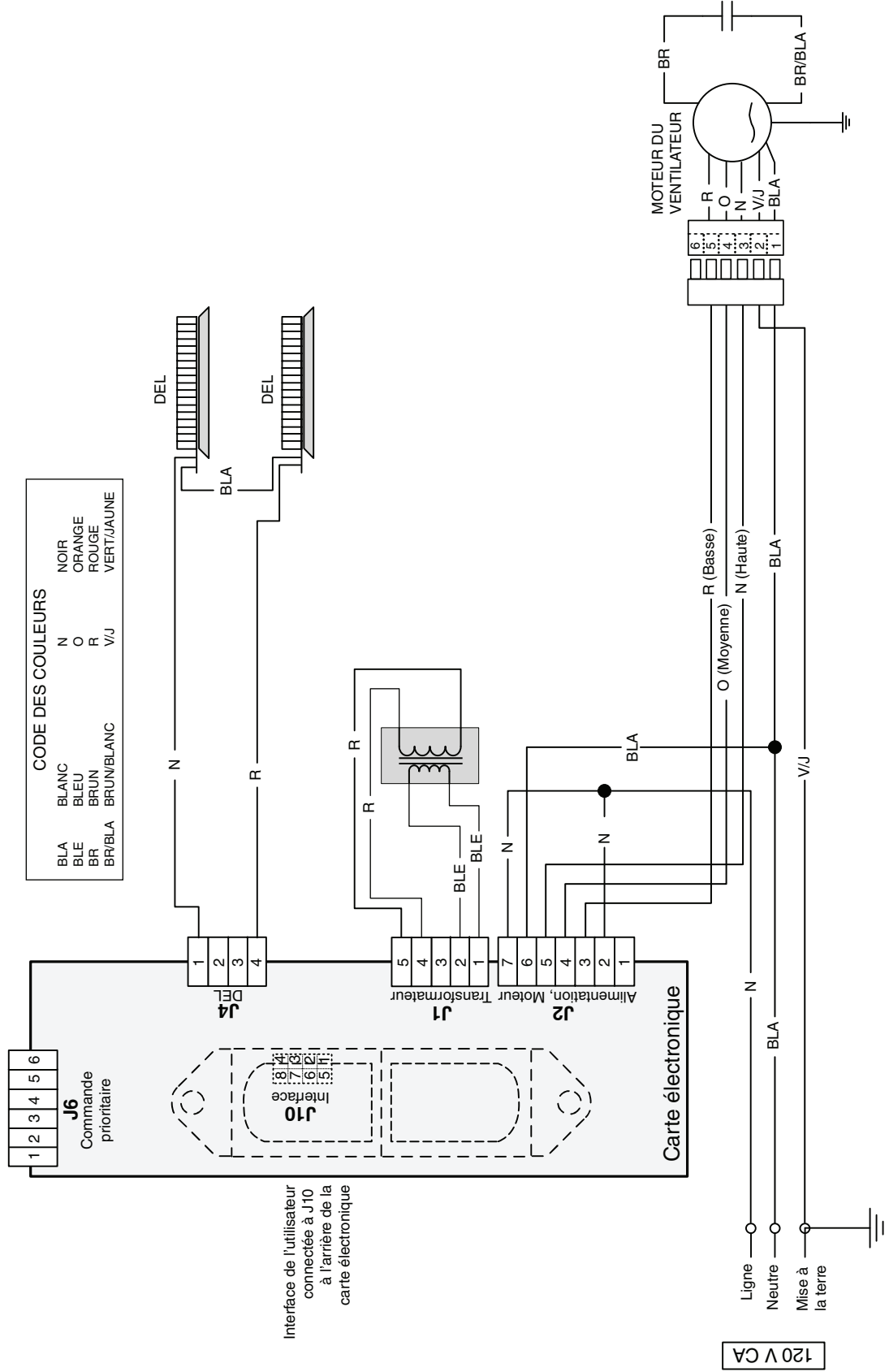
Remettre en place les filtres à graisses retirés à l'étape 2 en page 9 dans la section « Préparation de la hotte ».

Installation en recirculation seulement :

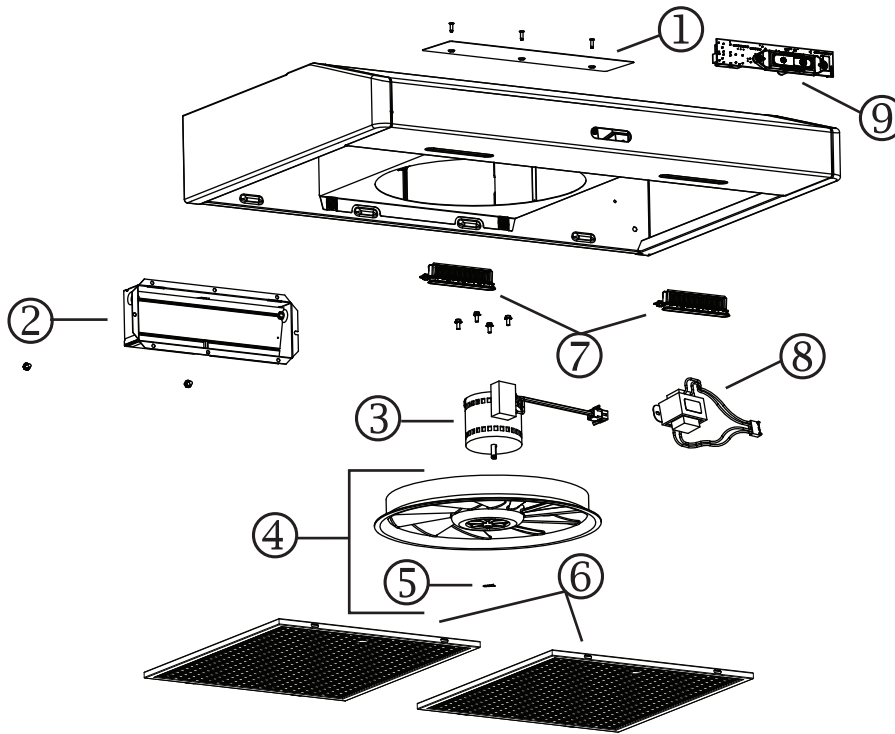
Se procurer deux filtres de recirculation chez votre distributeur ou votre détaillant local (consulter l'étiquette de spécification pour connaître le type de filtre). Installer le filtre de recirculation selon les directives incluses avec celui-ci.

SÉRIE VCNDD1

20 MANUEL D'INSTALLATION
SCHÉMA ÉLECTRIQUE



SÉRIE VCNDD1



REPÈRE	N° DE PIÈCE	DESCRIPTION	QUANTITÉ	
			30 PO BLANC	30 PO INOX.
1	S97020030	PLAQUE DE GRILLE DE RECIRCULATION, BLANCHE (INCL. LES VIS)	1	
	S97020031	PLAQUE DE GRILLE DE RECIRCULATION, INOX. (INCLUANT LES VIS)		1
2	S97020534	ADAPTATEUR/VOLET DE 3¼ PO X 10 PO (INCLUANT LES VIS)	1	1
3	S97020409	MOTEUR DU VENTILATEUR (INCLUANT 4 VIS ET 1 CONDENSATEUR)	1	1
4	S97020407	HÉLICE (INCLUANT LE REPÈRE 6)	1	1
	SR99420635	CLIP D'HÉLICE	1	1
6	S99010431-002	FILTRE À GRAISSES À MAILLAGE FIN - MOTIFS OBLONGS - TYPE C3 (ENS. DE 2)	1	1
7	S97020444	MODULE DEL (PAIRE)	1	1
8	S97020445	TRANSFORMATEUR 24 V 18 VA (AVEC VIS)	1	1
9	S97020431	COMMANDE CAPACITIVE À TOUCHES DEL, INOX. (AVEC VIS)		1
	S97020432	COMMANDE CAPACITIVE À TOUCHES DEL, BLANCHE (AVEC VIS)	1	
*	S97020360	SAC DE PIÈCES COMPRENANT : 4 VIS À MÉTAUX N° 8-18 x 1/2 PO, 6 VIS À BOIS À TÊTE RONDE N° 8 x 5/8 PO, 6 VIS À TÊTE FRAISÉE N° 8 x 1/2 PO	1	1
*	S97020466	FILTRES DE RECIRCULATION - TYPE Xc (ENSEMBLE DE 2) (INSTALLATION SANS CONDUIT SEULEMENT)	1	1
*	S97020452	FAISCEAU DE FILS	1	1
*	S98011637	COUVERCLE DU COMPARTIMENT ÉLECTRIQUE	1	1
*	S99527587	CLIPS POUR FILTRE AU CHARBON (ENSEMBLE DE 4)	1	1
*	S97020470	ENSEMBLE D'INSTALLATION EASY INSTALL (INCLUANT LA VISSERIE)	1	1

* ARTICLE NON ILLUSTRÉ

PIÈCE DE REMPLACEMENT ET SERVICE

Pour assurer le bon fonctionnement de votre appareil, vous devez toujours utiliser des pièces d'origine provenant de Venmar Ventilation ULC. Les pièces d'origine de Venmar Ventilation ULC sont spécialement conçues pour satisfaire toutes les normes de certification de sécurité applicables. Leur remplacement par des pièces ne provenant pas de Venmar Ventilation ULC pourrait ne pas assurer la sécurité de l'appareil, entraîner une réduction sévère des performances ainsi qu'un risque de défaillance prématurée. Venmar Ventilation ULC recommande également de toujours vous référer à une entreprise de services compétente et reconnue par Venmar Ventilation ULC pour vos pièces de remplacement et appels de service.

Garantie limitée

Période de garantie et exclusions: Venmar Ventilation ULC (la « Société ») garantit au consommateur acheteur initial (« vous ») de son produit (le « Produit ») que celui-ci est exempt de tout vice de matériau ou de fabrication pour une période de cinq (5) ans à compter de la date d'achat originale (ou toute période plus longue que pourrait exiger une loi applicable). Pour les hottes munies de modules à DEL intégrés, la Société garantit que les modules à DEL ainsi que le module d'alimentation DEL sont exempts de tout vice de matériau pour une période de trois (3) ans. La période de la garantie limitée sur toute pièce de remplacement fournie par la Société et sur tout produit réparé ou remplacé en vertu de la présente garantie limitée correspond au reste de la période de garantie originale (ou toute période plus longue que pourrait exiger une loi applicable).

La présente garantie ne s'applique pas aux tubes fluorescents et aux démarreurs, ni aux ampoules halogènes ou incandescentes, fusibles, filtres, conduits, capuchons de toit, capuchons muraux et autres accessoires pour conduits pouvant avoir été achetés séparément et installés avec le produit. La présente garantie ne couvre pas (a) les travaux d'entretien et de service normaux, (b) l'usure normale, (c) tout produit ou toute pièce ayant fait l'objet d'une mauvaise utilisation, d'un abus, d'un usage anormal, d'une négligence, d'un accident, d'un entretien, rangement ou réparation inadéquats ou insuffisants (autre que par la Société), (d) les dommages dus à une mauvaise installation, ou à une installation ou utilisation contraires aux recommandations ou instructions, (e) tout produit déplacé de son lieu d'installation original, (f) les dommages dus à des éléments environnementaux ou naturels, (g) les dommages dus au transport, (h) l'usure naturelle du fini, (i) les produits utilisés à des fins commerciales ou non-résidentielles ou (j) les dommages dus à un incendie, à une inondation ou à un événement fortuit, (k) les produits dont les numéros de série ont été altérés, rendus illisibles ou enlevés. La présente garantie ne couvre que les produits vendus au consommateur initial au Canada par la Société ou par les distributeurs canadiens autorisés par la Société.

La présente garantie remplace toute garantie précédente et le consommateur et acheteur initial ne peut la céder à quiconque.

Aucune autre garantie: La présente garantie limitée stipule les seules obligations de la Société et votre seul recours en cas de produits défectueux. La garantie ci-dessus est exclusive et remplace toute autre garantie, expresse ou tacite. **LA SOCIÉTÉ EXCLUT TOUTE AUTRE GARANTIE OU CONDITION EXPRESSE ET TOUTE GARANTIE OU CONDITION DÉCOULANT IMPLICITEMENT DE LA LOI, Y COMPRIS, SANS S'Y LIMITER, LES GARANTIES DE VALEUR MARCHANDE ET D'ADÉQUATION À UN USAGE PARTICULIER.** Dans la mesure où la loi en vigueur interdit l'exclusion des garanties tacites ou conditions, la durée de toute garantie tacite est limitée à la période stipulée ci-dessus pour la garantie expresse. Certains territoires ou provinces interdisant de limiter la durée d'une garantie tacite, la limitation ci-dessus peut ne pas s'appliquer à votre situation. Toute description verbale ou écrite du produit a pour seule fin de l'identifier et ne doit pas être interprétée comme une garantie expresse. Si possible, chaque disposition de cette garantie limitée doit être interprétée de sorte à être en vigueur et valide en vertu des lois applicables, mais si une disposition s'avère interdite ou invalide, elle le sera seulement dans la mesure de cette interdiction ou invalidité, sans invalider le reste de cette disposition ni les autres dispositions de la présente garantie limitée.

Recours: Pendant la période de garantie limitée applicable, la Société pourra, à son choix, fournir des pièces de rechange ou réparer ou remplacer, sans frais, tout produit ou toute pièce, dans la mesure où la Société constate qu'il est couvert et contrevient à la présente garantie limitée dans des conditions normales d'utilisation et de service. La Société vous enverra gratuitement le produit réparé ou remplacé ou les pièces de rechange. Vous êtes responsable des frais de démontage, de remontage, d'expédition, d'assurance ou de tous autres frais de transport pour l'envoi du produit ou de la pièce à la Société. Si vous devez envoyer le produit ou la pièce à la Société, tel que la Société vous l'indiquera, vous devrez l'emballer correctement. La Société n'est pas responsable des dommages subis lors du transport. La Société se réserve le droit d'utiliser des produits ou des pièces remis en état, remis à neuf, réparés ou réusinés dans le processus de réparation ou de remplacement sous garantie. Lesdits produits ou pièces seront comparables en fonction et en performance aux produits et pièces d'origine et seront garantis pendant le reste de la période de garantie originale (ou toute période plus longue que pourrait exiger une loi applicable).

La Société se réserve le droit, à son entière discrétion, de vous rembourser le prix que vous avez payé pour votre produit en lieu et place d'une réparation ou d'un remplacement. Si le produit ou le composant n'est plus offert, il sera remplacé par un produit de valeur égale ou supérieure, à l'entière discrétion de la Société. Cette mesure constitue votre recours exclusif en cas de violation de cette garantie limitée.

Exclusion de dommages: **L'OBLIGATION DE LA SOCIÉTÉ DE FOURNIR DES PIÈCES DE RECHANGE, OU DE RÉPARER OU REMPLACER LE PRODUIT, À SON CHOIX, CONSTITUE VOTRE SEUL ET UNIQUE RECOURS EN VERTU DE LA PRÉSENTE GARANTIE LIMITÉE ET LA SEULE ET UNIQUE OBLIGATION DE LA SOCIÉTÉ. LA SOCIÉTÉ NE PEUT ÊTRE TENUE RESPONSABLE DE TOUT DOMMAGE INDIRECT, CONSÉCUTIF, ACCESSOIRE OU SPÉCIAL DÉCOULANT DE L'UTILISATION OU DU RENDEMENT DU PRODUIT.** Les dommages accessoires comprennent, sans pour autant y être limités, la perte de temps et la privation de jouissance. Les dommages indirects comprennent, sans pour autant y être limités, le coût de réparation ou de remplacement des autres biens endommagés par le mauvais fonctionnement du produit.

LA SOCIÉTÉ NE POURRA ÊTRE TENUE RESPONSABLE EN RIEN, NI À TOUTES PERSONNES, DE TOUTE OBLIGATION OU RESPONSABILITÉ INCLUANT SANS S'Y LIMITER, LES OBLIGATIONS OU RESPONSABILITÉS ÉMANANT D'UN BRIS DE CONTRAT OU D'UNE VIOLATION DE GARANTIE, LA NÉGLIGENCE OU AUTRE FORME DE PRÉJUDICE, OU TOUT AUTRE THÉORIE DE STRICTE RESPONSABILITÉ CONCERNANT LE PRODUIT, LES ACTIONS, OMISSIONS OU AUTRE DE LA SOCIÉTÉ.

Certains territoires ou provinces ne permettant pas la limitation ou l'exclusion des dommages indirects ou consécutifs, la limitation ci-dessus peut ne pas s'appliquer à votre situation. La présente garantie vous confère des droits spécifiques reconnus par la loi. D'autres droits pourraient également vous être accordés selon la législation locale en vigueur.

La présente garantie ne couvre que le remplacement ou la réparation des produits ou pièces défectueux à l'usine principale de la Société et ne comprend pas les frais de voyage et ni les dépenses quotidiennes pour une réparation à domicile.

Toute aide que la Société vous fournit en dehors des dispositions, limitations ou exclusions de cette garantie limitée ne constituera en rien une renonciation auxdites dispositions, limitations ou exclusions, et ne prolongera aucunement cette garantie pas plus qu'elle ne la remettra en vigueur. Les conditions, exclusions et les limitations de responsabilités au titre de la présente garantie ne s'appliqueront pas dans la mesure où toute loi applicable l'interdit.

La Société ne vous remboursera aucune dépense encourue par vous pour la réparation ou le remplacement de tout produit défectueux, sauf celles que vous avez encourues avec la permission écrite préalable de la Société.

Comment bénéficier du service de garantie: Pour vous prévaloir de cette garantie, vous devez (a) aviser la Société à l'adresse ou au numéro de téléphone indiqués ci-dessous dans les sept (7) jours du constat de la défectuosité couverte, (b) donner le numéro de modèle du produit et le numéro d'identification de la pièce et (c) décrire la nature de la défectuosité du produit ou de la pièce. Lors de votre demande de garantie, vous devez présenter une preuve de la date d'achat originale. Si vous ne pouvez pas fournir une copie écrite de la garantie limitée originale, les dispositions de la garantie limitée écrite la plus récente de la Société concernant ce produit particulier s'appliqueront. Vous trouverez les garanties limitées écrites les plus récentes des produits de la Société sur le site www.venmar.ca.

Venmar Ventilation ULC, 550 boul. Lemire, Drummondville, Québec, Canada J2C 7W9 www.venmar.ca 1 800 567-3855