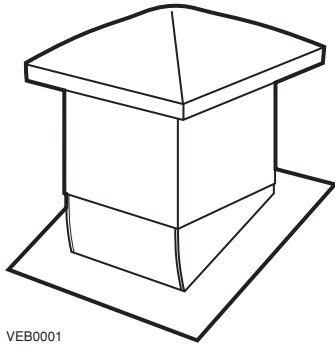


ATTIC VENTILATOR FOR SLOPED ROOF - ONE OPENING

60100 SERIES
0.60 ft²
(55,800 mm²)



VEB0001

PREVENT THE DETERIORATION OF YOUR ROOF WITH THE VENMAR ATTIC VENTILATOR!

The Venmar attic ventilator for sloped roofs, 60100 model, is characterized by its innovative design and ease of installation. Designed to ventilate up to 700 sq ft, the 60100 efficiently expels excess humidity, which commonly accumulates in the attic, thereby helping to protect your building against accelerated degradation. In addition, its exclusive multi-slope base fits roof slopes from 1" per foot (1/12) to 16" per foot (16/12) and requires no slope adaptor.

- Innovative concept which prevents snow and rain infiltration
- One piece innovative seamless cap; no infiltration or risk of corrosion
- Exclusive base fits roof slopes from 1" a foot (1/12) to 16" a foot (16/12)
- No slope adaptor necessary
- Fast and easy installation to save time and money
- Discreet look
- 5-year warranty against corrosion

IT'S THE IDEAL PRODUCT TO REPLACE TRADITIONAL ROOF VENTS!

STANDARDS AND REQUIREMENTS

- Complies with CSA Standards CAN3-A93-M82, tested by the CRIQ (Centre de Recherches Industrielles du Québec)
- Ventilated roof area has been calculated considering the standards of the National Building Code, article A19.

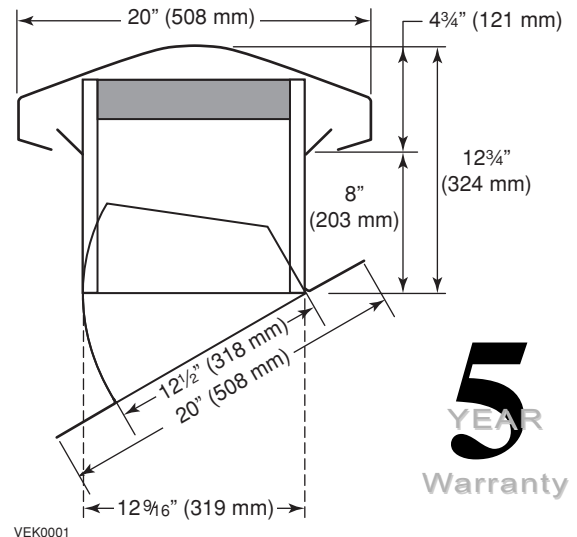
Submitted by:		Date:	Project:
Qty:	Model #:	Remarks:	Location:
			Architect:
			Engineer:
			Contractor:

ATTIC VENTILATOR

SPECIFICATIONS

- Model: 60100 Series
- Net ventilation area: 0.60 ft² (55,800 mm²)
- Ventilated roof area: 0 to 700 ft² (65.03 m²)
- Total weight: 17 lb (7.7 kg)
- Number of blade(s): 1
- Number of opening(s): 1
- Wire mesh: Fine (1/4" x 1/4")
- Installation: Adjustment screws included (8)
- Base: Multislope
- Material: Top quality galvanized steel G90, 24 to 26 gauge
- Quantity of zinc: 0.90 ounces/ft²
- Paint type: Baked polyester paint
- Colors:
 - Black (60103)
 - Gray (60105)
 - Brown (60106)
- Dimensions of the box: 22 1/2" x 22 1/2" x 20 1/4"

DIMENSIONS



VEK0001

5
YEAR
Warranty

Available at:



Venmar Ventilation inc., 550 Lemire Blvd., Drummondville, QC, Canada J2C 7W9 - Tel.: 1-800-567-3855 Fax: 1-800-567-1715