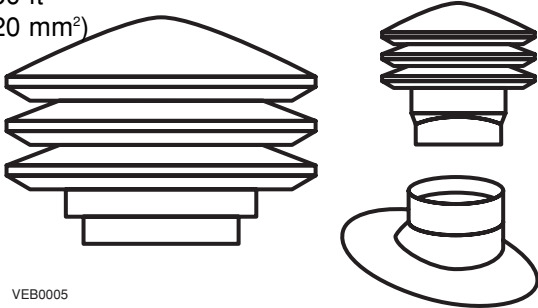


ATTIC VENTILATOR

ATTIC VENTILATOR FOR EXISTING ROUND BASE- THREE OPENINGS

60350 SERIES
0.80 ft²
(74,320 mm²)



VEB0005

PREVENT THE DETERIORATION OF YOUR ROOF WITH THE VENMAR ATTIC VENTILATOR!

The Venmar attic ventilator 60350 model is characterized by its innovative design and ease of installation. This ventilator is especially designed to replace traditional round ventilators without changing the existing seal covers (12" [30 cm] diameter). Thanks to its 3 openings and excellent ventilation capacity, the 60350 efficiently expels excess humidity, which commonly accumulates in the attic, thereby helping to protect your building against accelerated degradation.

- Innovative concept which prevents snow and rain infiltration
- One piece innovative seamless cap; no infiltration or risk of corrosion
- Fast and easy installation to save time and money
- Discreet look
- 5-year warranty against corrosion

DESIGNED TO REPLACE TRADITIONAL ROUND VENTILATORS WITHOUT CHANGING THE EXISTING SEAL COVER (12" [30 cm] DIA.)!

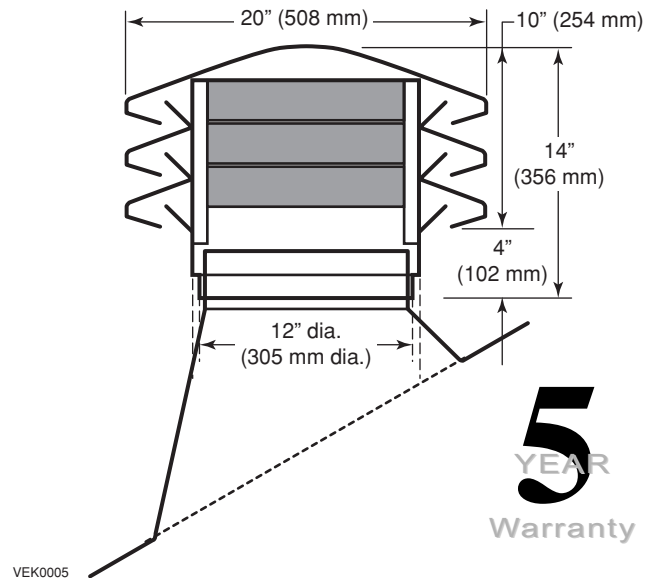
STANDARDS AND REQUIREMENTS

- Complies with CSA Standards CAN3-A93-M82, tested by the CRIQ (Centre de Recherches Industrielles du Québec)
- Ventilated roof area has been calculated considering the standards of the National Building Code, article A19.

SPECIFICATIONS

- Model: 60350 Series
- Net ventilation area: 0.80 ft² (74,320 mm²)
- Ventilated roof area: 700 to 1,200 ft² (65.03 to 111.5 m²)
- Total weight: 17 lb (7.7 kg)
- Number of blade(s): 3
- Number of opening(s): 3
- Wire mesh: Fine (¼" x ¼")
- Installation: Adjustment screws included (8)
- Material: Top quality galvanized steel G90, 24 to 26 gauge
- Quantity of zinc: 0.90 ounces/ft²
- Paint type: Baked polyester paint
- Colors:
 - Black (60353)
 - Gray (60355)
 - Brown (60356)
- Dimensions of the box: 22 ½" x 22 ½" x 20 ¼"

DIMENSIONS



VEK0005

Available at:

Submitted by:		Date:	Project:
Qty:	Model #:	Remarks:	Location:
			Architect:
			Engineer:
			Contractor:

