



ERV DUO 2.0

Part no. 47700

110 to 169 CFM (0.4 in. w.g.)



VB0162

DUO®: ENERGY RECOVERY VENTILATION FOR HOT AND COLD SEASONS

Homeowners who want the best in energy-recovery ventilation choose the Duo 2.0 for its heat and moisture recovery efficiency, its reliability and very quiet operation. When used along with the Altitude IAQ wall control with SMART mode (automated ventilation based on indoor relative humidity and outdoor temperature), the Duo 2.0 allows you to optimize your ventilation and your energy consumption. The Duo is a great choice for year-round ventilation that reduces your air conditioning loads in summer and your heating requirements in winter.

- Enthalpic wheel with superior heat and moisture transfer
- Maintenance free, totally enclosed, sealed bearings motor
- Pressure taps, balancing dampers and straps for insulated ducts for quick, effective installation
- Reversible for greater installation flexibility
- No drain required
- Recirculation mode to move air in homes without forced-air heating

REPAIRS AND MAINTENANCE

Venmar AVS DUO modular design makes it possible to remove all mechanical parts in less than 5 minutes. The recovery wheel and its driving mechanism are characterized by their simplicity and ease of maintenance. Resorting to proven technologies, the Venmar development team applied the principle of the belt-driven system used in cars and used a shock and vibration-absorbing axle to prevent wear on the motor.

The low power consumption motor is permanently lubricated. Finally, the electronic circuit board eliminates electromechanical parts, reducing repair time to a minimum.

WARRANTY

The ERV DUO 2.0 is protected by a complete 5-year warranty on parts, including the energy recovery thermal wheel, with the original proof of purchase.

Available at:

ENERGY RECOVERY VENTILATOR

Controls

- This unit is very simple to operate. Once it is installed, press on its push button, located on the bottom of the unit, to activate it. Press once for low speed, once again for high speed, and once more to stop it.
- For more convenience, this unit can also be controlled by an optional main control. For a complete list of optional main and auxiliary controls available, refer to the **Wall Control Compatibility Chart** on last pages of wall controls specification sheet, available at www.venmar.ca.
- For more details about controls, refer to the **Main and auxiliary wall controls** user guide, also available at www.venmar.ca.

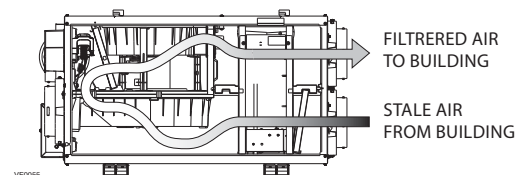
Options

- Complete line of registers and diffusers

Defrosting System

The ERV Duo 2.0 uses an efficient defrosting method. No negative pressure is created by air exhausted to the outdoors, as the air is recirculated into the house, helping to prevent any backdraft.

OUTDOOR TEMPERATURE		DEFROST CYCLE (MINUTES)
°C	°F	DEFROST / OPERATION
WARMER THAN -5	WARMER THAN 23	NO DEFROST
-5 TO -15	23 TO 5	9 / 60
-15 TO -27	5 TO -17	9 / 32
-27 AND LESS	-17 AND LESS	9 / 20



Energy Recovery Wheel

Dimensions: 14" Ø x 3.75" (36 cm x 9.5 cm)

Weight: 5.5 lb. (2.5 kg)

Material: Polymeric wheel impregnated with desiccant

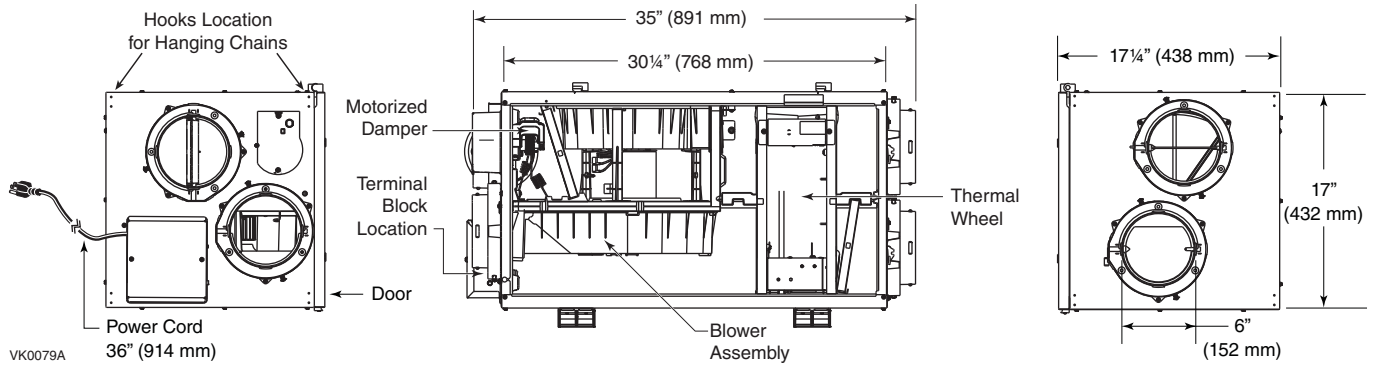
Type: Combined plastic

Warranty: 5 years

Requirements and Standards

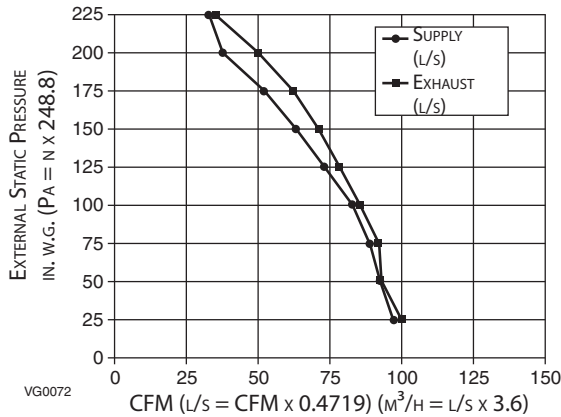
- Complies with the UL 1812 requirements regulating the installation of Energy Recovery Ventilators
- Complies with the CSA C22.2 no. 113 Standard applicable to ventilators
- Complies with CSA F326 requirements regulating the installation of Energy Recovery Ventilators
- Technical data was obtained from published results of tests relating to CSA C439 Standards
- HVI certified

DIMENSIONS: ERV Duo 2.0



VENTILATION PERFORMANCE

EXTERNAL STATIC PRESSURE	NET SUPPLY AIR FLOW	GROSS AIR FLOW								
		SUPPLY			EXHAUST					
PA	IN. W.G.	L/S	CFM	M ³ /H	L/S	CFM	M ³ /H	L/S	CFM	M ³ /H
25	0.1	97	206	350	99	211	359	100	214	364
50	0.2	92	196	333	95	201	342	95	203	345
75	0.3	85	181	308	87	186	316	90	192	326
100	0.4	79	169	287	81	173	294	85	180	306
125	0.5	72	153	260	74	156	265	79	168	285
150	0.6	63	134	228	65	138	235	70	149	253
175	0.7	51	108	184	52	111	189	62	132	224
200	0.8	38	81	138	39	83	141	50	106	180
225	0.9	33	69	117	33	71	121	35	75	127



ENERGY PERFORMANCE

SUPPLY TEMPERATURE		NET AIR FLOW			POWER CONSUMED WATTS	SENSIBLE RECOVERY EFFICIENCY	APPARENT SENSIBLE EFFECTIVENESS	LATENT RECOVERY MOISTURE TRANSFER
°C	°F	L/S	CFM	M ³ /H				
HEATING								
0	32	52	110	187	137	69	77	0.79
0	32	83	177	302	201	64	71	0.75
COOLING								
35	95	55	116	198	132	TOTAL RECOVERY EFFICIENCY 70		

NOTE: All specifications are subject to change without notice.

SPECIFICATIONS AND RATINGS

- Model: ERV Duo 2.0
- Part Number: 47700
- Total Assembled Weight (including energy recovery wheel): 73 lb. (33 kg)
- 6" Round Ports
- Filters: 15 ppi washable reticulated foam
15.375" x 7.125" x 0.75"
(39 cm x 18 cm x 1.9 cm)»
- Housing: Pre-painted steel
- Insulation: Expanded polystyrene
- Mounting: Suspension by chains and springs
- Supply & Exhaust Blower Motor: 1 PSC Motor
- Protection type: Thermally protected
- Insulation class: B
- Speed Control on unit: Low and High speeds. Other modes available with optional main wall controls.
- Unit Electrical Characteristics:
Volts Frequency Amps Watts
120 60 Hz 2.2 230

Project:	REMARKS
Location:	
Part Number: 47700	
Quantity:	
Submitted by: _____ Date: _____	



Residential Products Group, 550 Lemire Blvd., Drummondville, Qc, Canada J2C 7W9 - Tel.: 1-800-567-3855 Fax: 1-800-567-1715



www.venmar.ca

ERVDuo2.0d151014