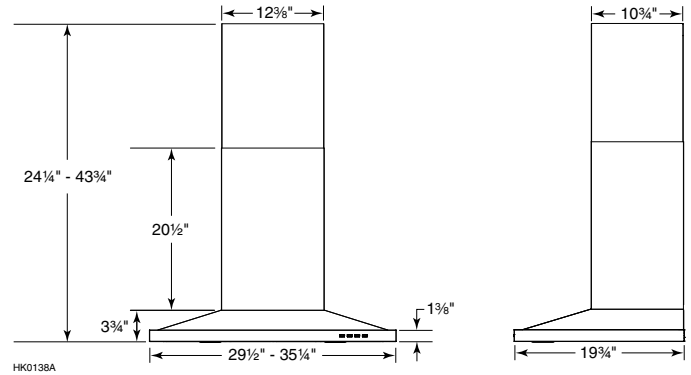


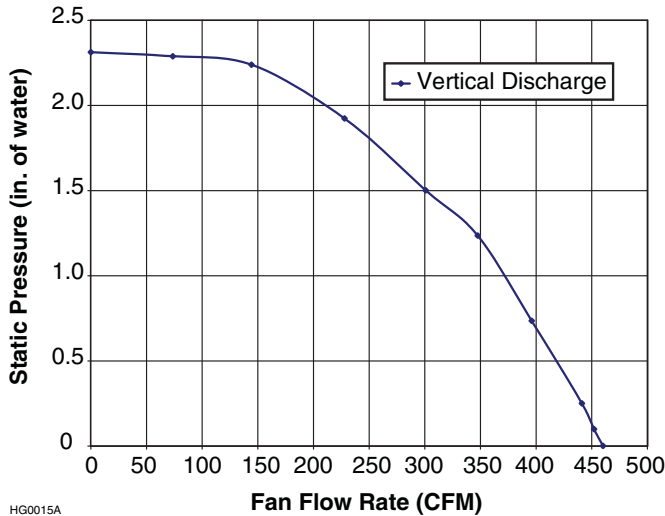
SPECIFICATIONS

MODEL	VJ51030SS / VJ51036SS
VOLTS	120 VAC
Hz	60
AMPS	3.3
CFM (LOW SPEED)	190
CFM (HIGH SPEED)	450
SONES (LOW SPEED)	2.5
SONES (HIGH SPEED)	8.5
TOTAL HOOD POWER CONSUMPTION	400 W
DUCTING SIZE	6" ROUND
2 HALOGEN BULBS	JC TYPE, 12 V, 20 W MAX., G-4 BASE
WARRANTY	1 YEAR

DIMENSIONS



AIR FLOW PERFORMANCE



REQUIREMENTS & STANDARDS

- Complies with UL 507 requirements



HVI-2100 CERTIFIED RATINGS comply with new testing technologies and procedures prescribed by the Home Ventilating Institute, for off-the-shelf products, as they are available to consumers. Product performance is rated at 0.1 in. (2.54 mm) static pressure, based on tests conducted in a state-of-the-art test laboratory. Sones are a measure of humanly-perceived loudness, based on laboratory measurements.

www.venmar.ca

Venmar Ventilation inc., 550 Lemire Blvd., Drummondville, Québec, Canada J2C 7W9 - Tel.: 1-800-567-3855 Fax: 1-800-567-1715

PROJECT	REMARKS
LOCATION	
MODEL No.	
QTY.	
SUBMITTED BY	
DATE	