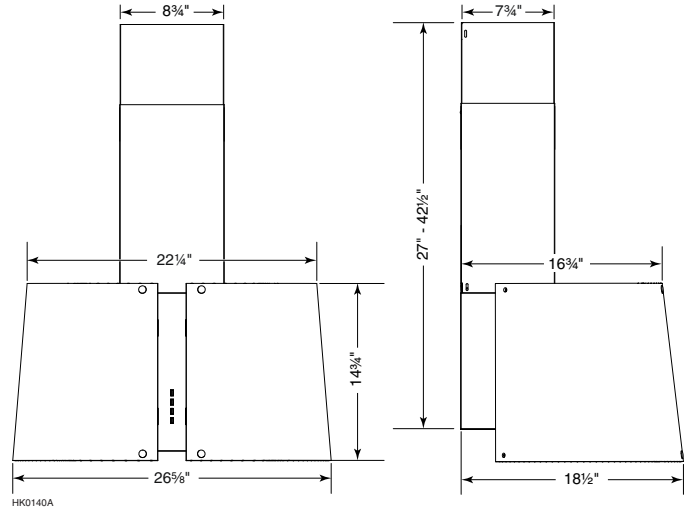


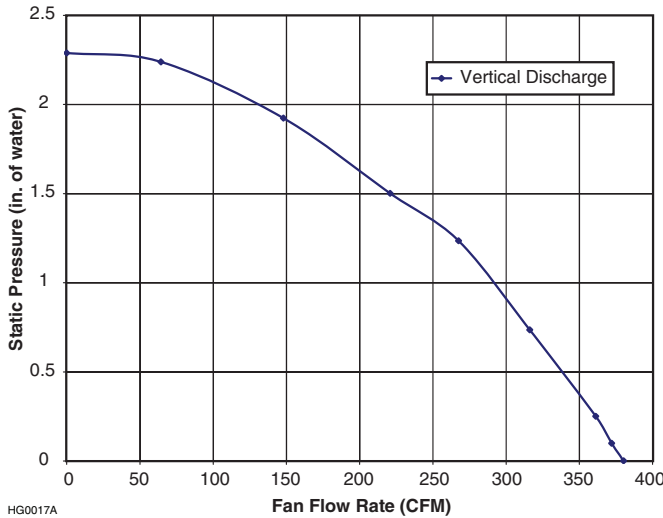
SPECIFICATIONS

MODEL	VJ71130SS
VOLTS	120 VAC
HZ	60
AMPS	3.0
CFM (LOW SPEED)	190
CFM (HIGH SPEED)	370
SONES (LOW SPEED)	2.5
SONES (HIGH SPEED)	8.5
TOTAL HOOD POWER CONSUMPTION	360 W
DUCTING SIZE	6" ROUND
2 LED BULBS	3 W
WARRANTY	1 YEAR

DIMENSIONS



AIR FLOW PERFORMANCE



REQUIREMENTS & STANDARDS

- Complies with UL 507 requirements



HVI-2100 CERTIFIED RATINGS comply with new testing technologies and procedures prescribed by the Home Ventilating Institute, for off-the-shelf products, as they are available to consumers. Product performance is rated at 0.1 in. (2.54 mm) static pressure, based on tests conducted in a state-of-the-art test laboratory. Sones are a measure of humanly-perceived loudness, based on laboratory measurements.

www.venmar.ca

Venmar Ventilation ULC, 550 Lemire Blvd., Drummondville, Québec, Canada J2C 7W9 - Tel.: 1-800-567-3855 Fax: 1-800-567-1715

PROJECT	REMARKS
LOCATION	
MODEL No.	
QTY.	
SUBMITTED BY	
DATE	