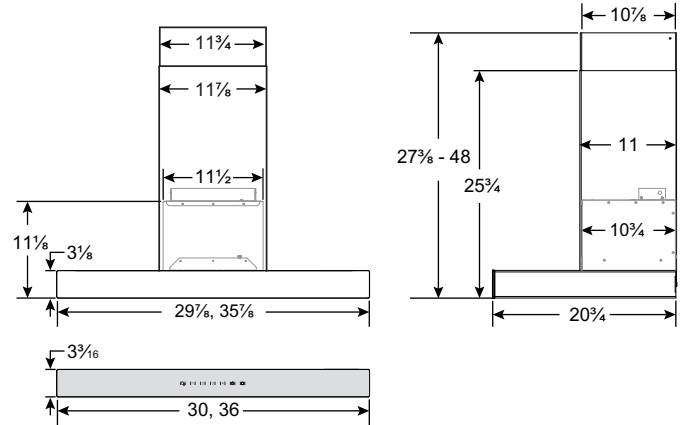


#### SPECIFICATIONS

MODEL	IC700 SERIES
VOLTS	120 VAC
Hz	60
AMPS	3.3
INTERNAL BLOWER	700 CFM
CFM (LOW SPEED)	200
CFM (HIGH SPEED)	600*
SONES (LOW SPEED)	1.4
SONES (HIGH SPEED)	10.5
DUCTING SIZE	3¼" x 10"
2 LED MODULES	120 V, 5.5 W
WARRANTY	5 YEARS (EXCEPT LED MODULES, 3 YEARS)

\*IF NEEDED, ASK A RECOMMENDED INSTALLER TO LIMIT DISCHARGE TO 300 CFM.

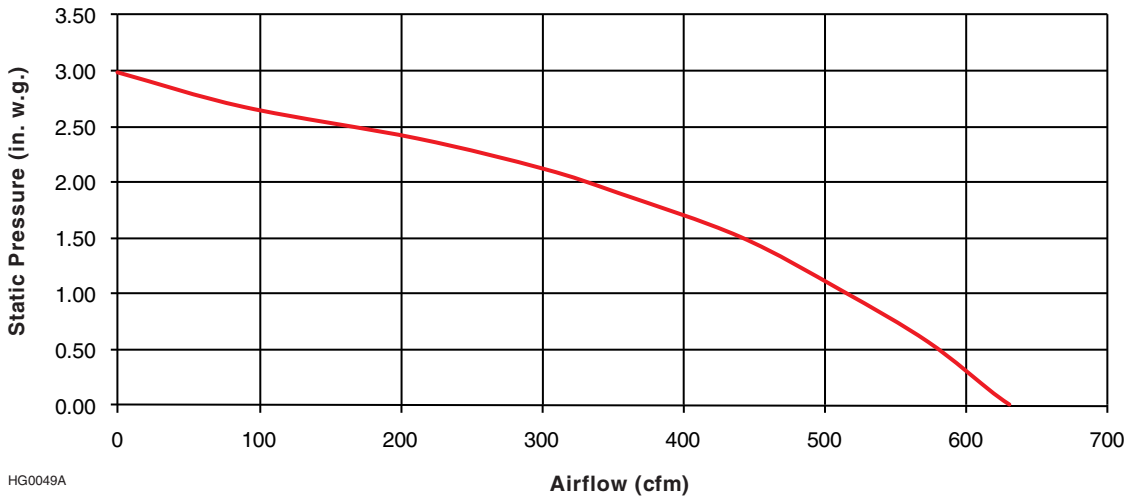
#### DIMENSIONS



HK0153

NOTE: DIMENSIONS SHOWN ARE IN INCHES.

#### AIR FLOW PERFORMANCE



HG0049A



HVI-2100 CERTIFIED RATINGS comply with new testing technologies and procedures prescribed by the Home Ventilating Institute, for off-the-shelf products, as they are available to consumers. Product performance is rated at 0.1 in. (2.54 mm) static pressure, based on tests conducted in a state-of-the-art test laboratory. Sones are a measure of humanly-perceived loudness, based on laboratory measurements.



[www.venmar.ca](http://www.venmar.ca)

Venmar Ventilation inc., 550 Lemire Blvd., Drummondville, Québec, Canada J2C 7W9 - Tel: 1-800-567-3855 Fax: 1-800-567-1715

PROJECT	REMARKS
LOCATION	
MODEL No.	
QTY.	
SUBMITTED BY	
DATE	