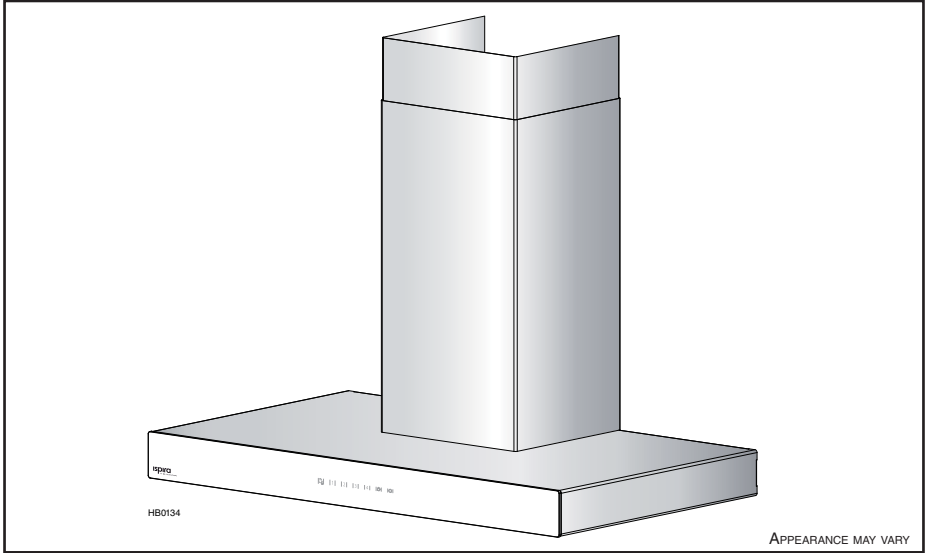


INSTALLATION INSTRUCTIONS

ispira

VENMAR®



IC700, IC700ES* AND IB700 SERIES

⚠ INTENDED FOR DOMESTIC COOKING ONLY ⚠

READ AND SAVE THESE INSTRUCTIONS

INSTALLER: LEAVE THIS MANUAL WITH HOMEOWNER.
HOMEOWNER: USE AND CARE INFORMATION
ON PAGES 17 TO 19.

Venmar Ventilation ULC, 550 Lemire Blvd., Drummondville QC J2C 7W9
1-800-567-3855

REGISTER YOUR PRODUCT ONLINE AT: www.bnv.ca

For additional information, visit
www.venmar.ca

*



⚠️ WARNING

TO REDUCE THE RISK OF FIRE, ELECTRIC SHOCK OR INJURY TO PERSONS, OBSERVE THE FOLLOWING:

1. Use this unit only in the manner intended by the manufacturer. If you have questions, contact the manufacturer at the address or telephone number listed in the warranty.
2. Before servicing or cleaning unit, switch power off at service panel and lock service disconnecting means to prevent power from being switched on accidentally. When the service disconnecting means cannot be locked, securely fasten a prominent warning device, such as a tag, to the service panel.
3. Installation work and electrical wiring must be done by qualified personnel in accordance with all applicable codes and standards, including fire-rated construction codes and standards.
4. Sufficient air is needed for proper combustion and exhausting of gases through the flue (chimney) of fuel burning equipment to prevent backdrafting. Follow the heating equipment manufacturer's guidelines and safety standards such as those published by the National Fire Protection Association (NFPA) and the American Society for Heating, Refrigeration and Air Conditioning Engineers (ASHRAE) and the local code authorities.
5. When cutting or drilling into wall or ceiling, do not damage electrical wiring and other hidden utilities.
6. Ducted fans must always be vented to the outdoors.
7. Do not use this unit with any additional solid-state speed control device.
8. To reduce the risk of fire, use only metal ductwork.
9. This unit must be grounded.
10. All tempered glass can experience spontaneous breakage. If broken, tempered glass falls out of its opening in interlocking clumps. Tempered glass can, on occasion, break into large shards rather than the classic tiny piece pattern.
11. When applicable local regulations comprise more restrictive installation and/or certification requirements, the aforementioned requirements prevail on those of this document and the installer agrees to conform to these at his own expenses.

TO REDUCE THE RISK OF A RANGE TOP GREASE FIRE:

- a) Never leave surface units unattended at high settings. Boilovers cause smoking and greasy spillovers that may ignite. Heat oils slowly on low or medium settings.
- b) Always turn hood ON when cooking at high heat or when flambéing food (i.e.: Crêpes Suzette, Cherries Jubilee, Peppercorn Beef Flambé).
- c) Clean ventilating fan frequently. Grease should not be allowed to accumulate on fan, filters or in exhaust ducts.
- d) Use proper pan size. Always use cookware appropriate for the size of the surface element.

⚠️ WARNING

TO REDUCE THE RISK OF INJURY TO PERSONS IN THE EVENT OF A RANGE TOP GREASE FIRE, OBSERVE THE FOLLOWING*:

1. SMOTHER FLAMES with a close-fitting lid, cookie sheet or metal tray, then turn off the burner. BE CAREFUL TO PREVENT BURNS. IF THE FLAMES DO NOT GO OUT IMMEDIATELY, EVACUATE AND CALL THE FIRE DEPARTMENT.
2. NEVER PICK UP A FLAMING PAN — You may be burned.
3. DO NOT USE WATER, including wet dishcloths or towels — This could cause a violent steam explosion.
4. Use an extinguisher ONLY if:
 - A. You own a Class ABC extinguisher and you know how to operate it.
 - B. The fire is small and contained in the area where it started.
 - C. The fire department has been called.
 - D. You can fight the fire with your back to an exit.

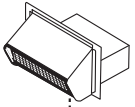
*Based on "Kitchen Fire Safety Tips" published by NFPA.

CAUTION

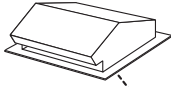
1. For indoor use only.
2. For general ventilating use only. Do not use to exhaust hazardous or explosive materials and vapors.
3. To avoid motor bearing damage and noisy and/or unbalanced impellers, keep drywall spray, construction dust, etc. off power unit.
4. Your hood motor has a thermal overload which will automatically shut off the motor if it becomes overheated. The motor will restart when it cools down. If the motor continues to shut off and restart, have the hood serviced.
5. The hood distance above cooktop must not be less than 24". A maximum of 30" above cooktop is highly recommended for best capture of cooking impurities.
6. Two installers are recommended because of the large size and weight of this unit.
7. To reduce the risk of fire and to properly exhaust air, be sure to duct air outside — Do not exhaust air into spaces within walls or ceiling or into attics, crawl space or garage.
8. Because of the high exhausting capacity of this unit, you should make sure enough air is entering the house to replace exhausted air by opening a window close to or in the kitchen.
9. To reduce the risk of fire and electrical shock, the Venmar Ispira IC700, IC700ES and IB700 series models should only be installed with their own built-in blower.
10. Please read specification label on product for further information and requirements.

- IC700, IC700ES AND IB700 SERIES RANGE HOOD SYSTEM -

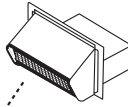
MODEL 639
(3 1/4" X 10")
WALL CAP



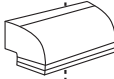
MODEL 634
OR 644
(ROOF CAP)



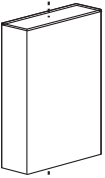
MODEL 639
(3 1/4" X 10")
WALL CAP



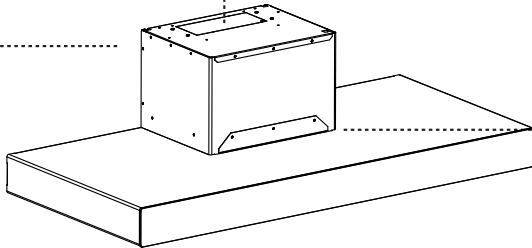
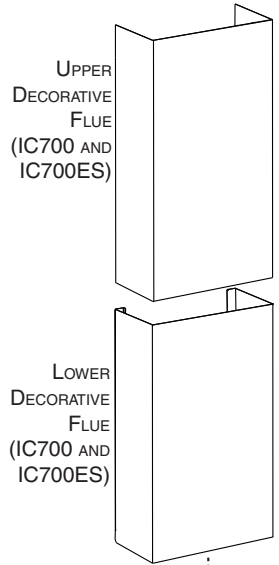
MODEL 428
(OPTIONAL 3 1/4" X 10"
ELBOW)



MODEL 401
(3 1/4" X 10")
STANDARD DUCT



ADAPTER/DAMPER 3 1/4" X 10"
(SUPPLIED WITH HOOD)
FOR HORIZONTAL OR VERTICAL
DISCHARGE



HL0226

TABLE OF CONTENTS

1. INSTALL DUCTWORK	4-5
2. PREPARE THE INSTALLATION	5-6
3. REMOVE HYBRID FILTERS	6
4. INSTALL GLASS PANEL (WG MODELS ONLY)	6-7
5. PREPARE THE OPENING	7-8
5.1. IC700 AND IB700 MODELS.....	7
5.2. IC700ES MODELS.....	8
6. BLOWER REMOVAL (HORIZONTAL DISCHARGE)	8-9
7. INSTALL THE ADAPTER/DAMPER	9-10
8. WIRING INSTALLATION	10
9. INSTALL HOOD MOUNTING BRACKET	11
10. INSTALL UPPER FLUE MOUNTING BRACKET (IC700 AND IC700ES ONLY)	11
11. INSTALL THE HOOD	12
12. REINSTALL THE BLOWER (HORIZONTAL DISCHARGE)	12
13. DUCT CONNECTION (VERTICAL DISCHARGE)	13
14. PREPARE THE DECORATIVE FLUE (IC700 AND IC700ES ONLY)	13
15. INSTALL THE DECORATIVE FLUE (IC700 AND IC700ES ONLY)	14
16. BUILT-IN INSTALLATION (IB700).....	15-16
17. REINSTALL HYBRID FILTERS	17
18. LED LIGHTING	17
19. CARE	17
20. OPERATION.....	18-19
21. WIRING DIAGRAM	20
22. SERVICE PARTS	21
23. WARRANTY.....	22

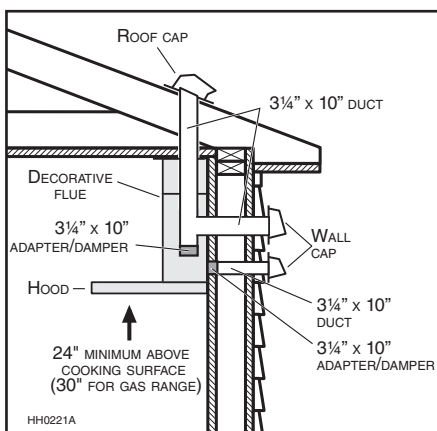
1. INSTALL DUCTWORK

Plan where and how the ductwork will be installed.

The ducting from this fan to the outside of the building has a strong effect on the air flow, noise and energy use of the fan. Use the shortest, straightest duct routing possible for best performance, and avoid installing the fan with smaller ducts than recommended. Insulation around the ducts can reduce energy loss and inhibit mold growth. Fans installed with existing ducts may not achieve their rated airflow. Refer to the table next page to help you plan the most efficient installation.

Install wall or roof cap and ensure there is no leak in house insulation. Connect metal ductwork to cap and work back towards the hood location. Use 2" metal foil duct tape to seal the joints.

We recommend to install the hood at a minimum distance of 24" from an electric range and of 30" from a gas range.



CEILING HEIGHT	8 FEET	9 FEET	10 FEET*
MINIMUM/MAXIMUM DISTANCE RECOMMENDED ABOVE COOKTOP FOR ELECTRIC RANGE	24 IN./30 IN.	24 IN./30 IN.	24 IN./30 IN.
MINIMUM/MAXIMUM DISTANCE RECOMMENDED ABOVE COOKTOP FOR GAS RANGE	30 IN./33 IN.	30 IN./36 IN.	30 IN./36 IN.

Distances over 36 in. are at the installer and users discretion.

*10-ft. ceilings require 10-ft. flue extension, part no. 19323 (sold separately).

1. INSTALL DUCTWORK (CONT'D)

MAXIMUM DUCT LENGTH RECOMMENDED TO ACHIEVE 80% EXHAUST EFFICIENCY

3¼ IN. x 10 IN. MAXIMUM DUCT LENGTH	ROOF OR WALL CAP WITH DAMPER	ELBOW(S)* (90° AND/OR 45°)
60 FT.	1	0
50 FT.	1	1
40 FT.	1	2

*STANDARD ELBOWS WITH 1" INTERNAL RADIUS.

2. PREPARE THE INSTALLATION

⚠ WARNING

When performing installation, servicing or cleaning the unit, it is recommended to wear safety glasses and gloves.

NOTE: Before proceeding to the installation, check the contents of the box. If items are missing or damaged, contact the manufacturer.

Make sure that the following items are included:

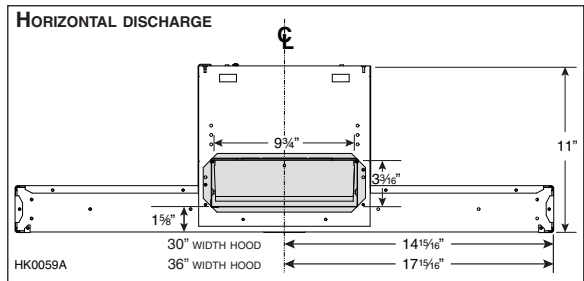
- Hood
- Accessories
 - Decorative flue assembly (lower and upper flues) (IC700 and IC700ES models only)
 - Upper flue mounting bracket (taped inside the hood) (IC700 and IC700ES models only)
 - Hood mounting bracket (taped inside the hood)
 - 3¼" x 10" Adapter/Damper (for horizontal or vertical discharge) taped inside decorative flue (IC700 and IC700ES) or on the blower box (IB700).
 - Bag of parts (taped inside the hood) including:
 - 5 no. 8 x 1½" countersunk screws, 8 no. 8 x ¾" screws, 2 no. 8 x 1/2" screws,
 - 6 no. 8 x 3/8" screws, 6 drywall anchors, 3 washers, 2 foam squares.
 - If need be, discard extra parts.

Parts sold separately:

- Ducts, elbows, wall and roof caps. Refer to page 3 for a complete list of venting options and model numbers.
- Optional flue extension for 10-ft. ceilings model no. 19323.
- Glass panel for IC70030WG, IC70036WG, IC700ES30WG, IC700ES36WG, IB70030WG and IB70036WG models (see service parts list on page 21).
- Transition 3¼" x 10" to 7" or 8" round duct.

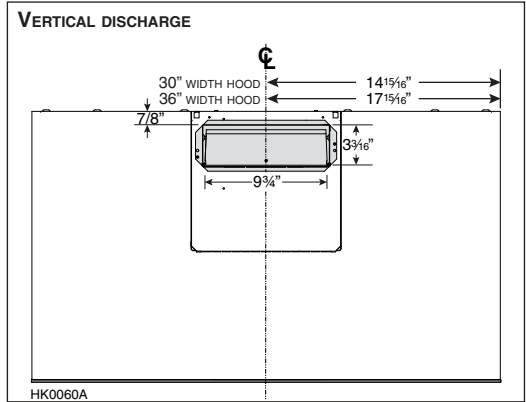
NOTE: During installation, protect countertop and/or cooktop.

Refer to illustration at right to locate duct opening for horizontal discharge (IC700 and IB700 only).



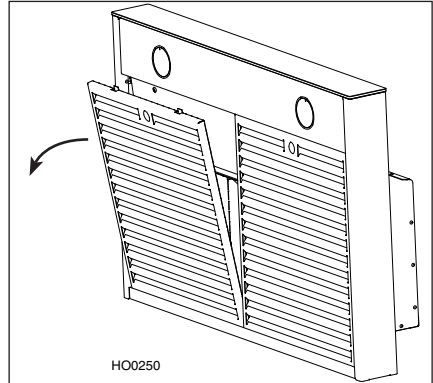
2. PREPARE THE INSTALLATION (CONT'D)

Refer to illustration at right to locate duct opening for vertical discharge.



3. REMOVE HYBRID FILTERS

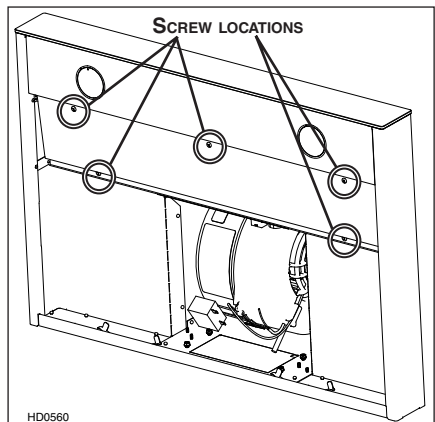
Lay the back of the hood on a table. Use a piece of cardboard to avoid damaging the table or the hood. Remove tape on filters. Remove filters by pushing them down and flipping downwards. Set the filters aside.



4. INSTALL GLASS PANEL (WG MODELS ONLY)

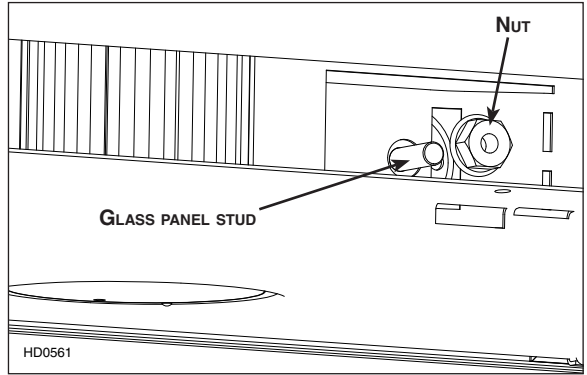
The WG hood models decorative glass panels are sold separately and have to be installed before completing the hood installation.

1. Using a Robertson or a Phillips no. 2 screwdriver, remove the 5 screws retaining the electrical compartment cover. Set cover and screws aside.



4. INSTALL GLASS PANEL (WG MODELS ONLY) (CONT'D)

- Carefully remove the glass panel from its packaging. Remove glass panel nuts (factory installed) from both studs and set aside.
- Insert glass panel studs in the appropriate hood holes.
- While holding the glass panel, pre-tighten the previously removed nuts by hand. Make sure the glass panel is centered. Then, using a $3/8"$ socket, tighten the nuts completely.
- Reinstall the electrical compartment cover.



5. PREPARE THE OPENING

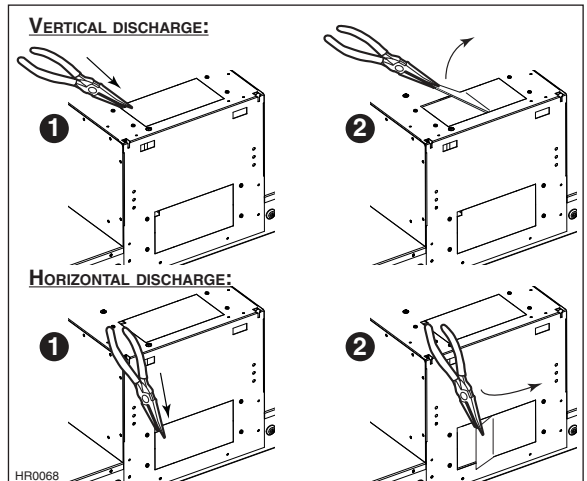
CAUTION

Never use a hammer and screwdriver to remove the vertical or horizontal discharge knock-out; this would damage the hood internal parts.

5.1 IC700 AND IB700 MODELS

VERTICAL DISCHARGE

Using long nose pliers, remove the knock-out located on the top of the hood.



HORIZONTAL DISCHARGE

Using long nose pliers, remove the knock-out located at the back of the hood.

See illustrations at right.

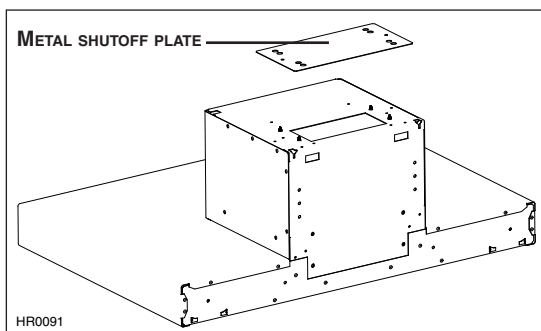
5. PREPARE THE OPENING (CONT'D)

5.2 IC700ES MODEL

VERTICAL DISCHARGE

Using a screwdriver, remove the metal shutoff plate located on the top of the hood by unscrewing both retaining screws. Discard plate and screws.

See illustration at right.

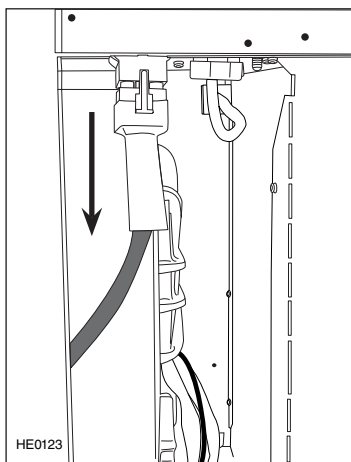


6. BLOWER REMOVAL

(HORIZONTAL DISCHARGE ONLY - IC700 AND IB700)

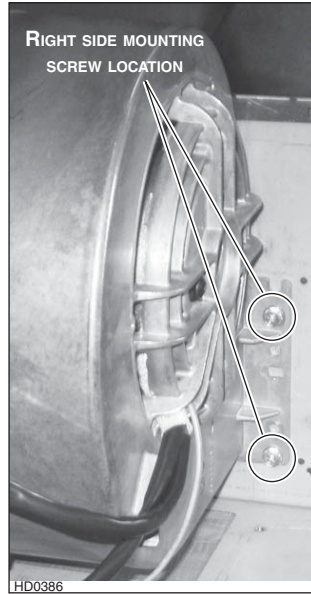
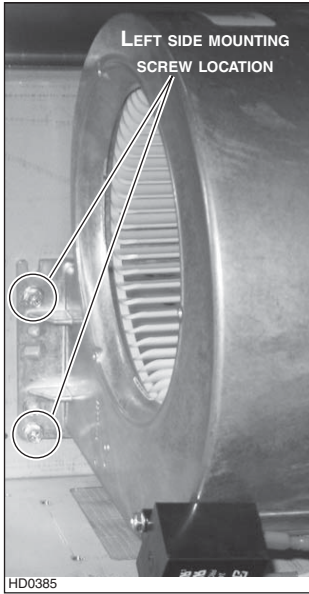
The IC700, IC700ES and IB700 Series range hoods are factory shipped with the blower mounted for a vertical discharge configuration. For a horizontal discharge configuration in models IC700 and IB700, disassemble the blower from the inner top of the hood by following the steps below. It will be assembled to the inner back of the hood once the hood is mounted on the wall.

1. Unplug the blower.



6. BLOWER REMOVAL (CONT'D) (HORIZONTAL DISCHARGE ONLY - IC700 AND IB700)

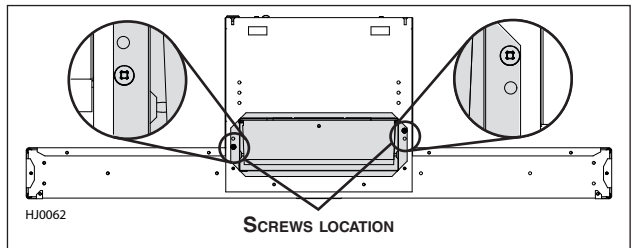
2. Using a 5/16" socket, or a Robertson or Phillips no. 2 screwdriver, remove all blower mounting screws from the inner top of the hood. Set blower and screws aside.



7. INSTALL THE ADAPTER/DAMPER

HORIZONTAL DISCHARGE

Mount the 3¼" x 10" adapter/damper to the back of the hood using 2 no. 8 x 3/8" screws (included). Seal the adapter/damper to the hood using metal foil duct tape.

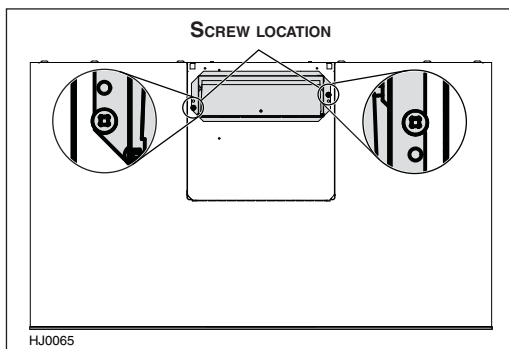


NOTE: The wall ducting must be properly prepared to receive the adapter. Before performing the installation, make sure the adapter fits easily in the duct.

7. INSTALL THE ADAPTER/DAMPER (CONT'D)

VERTICAL DISCHARGE

Mount the 3¼" x 10" adapter/damper to the top of the hood using 2 no. 8 x 3/8" screws (included). Seal the adapter/damper to the hood using metal foil duct tape.



8. WIRING INSTALLATION

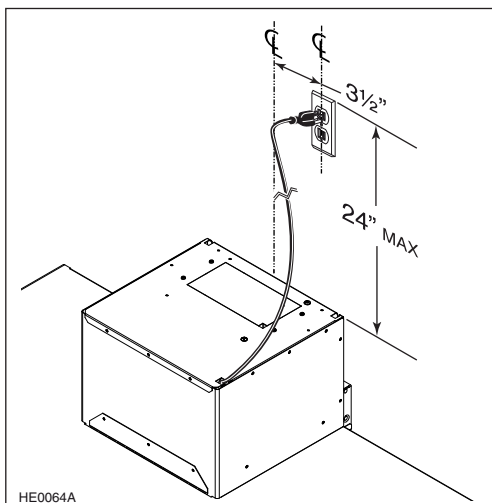
⚠ WARNING

Improper grounding can result in a risk of electric shock. Consult a qualified electrician if the grounding instructions are not completely understood, or if doubt exists as to whether the appliance is properly grounded. Do not use an extension cord. If the power supply cord is too short, have a qualified electrician install an outlet near the appliance, in accordance with all applicable codes and standards. Turn off electrical power at service entrance before wiring.

GROUNDING INSTRUCTIONS

This appliance must be grounded. In the event of an electrical short circuit, grounding reduces the risk of electric shock by providing an escape wire for the electric current. This appliance is equipped with a cord having a grounding wire with a grounding plug. The plug must be connected to an outlet that is properly installed and grounded.

Position the outlet within the space covered by the decorative flue (IC700 and IC700ES). Place the outlet at a maximum distance of 24" from where the cord exits from the hood. The center of the outlet must be positioned at 3½" from the center of the future hood location (as illustrated at right). Make sure this does not interfere with a mounting bracket fastening area or with the decorative flue (where the flue touches the wall).



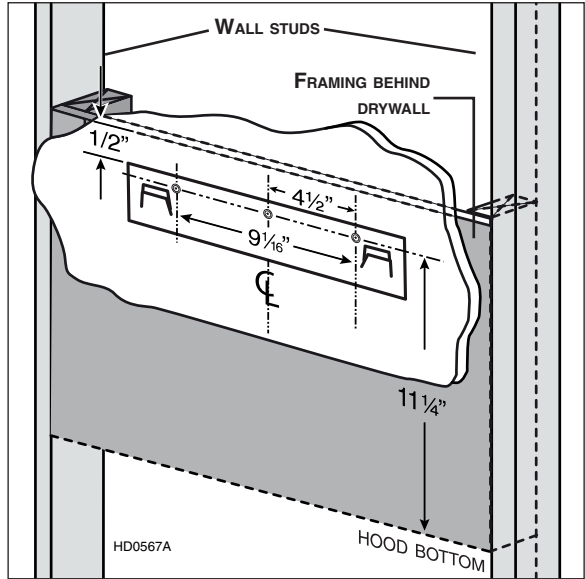
FOR BUILT-IN INSTALLATION (IB700 SERIES), GO TO SECTION 17.

9. INSTALL HOOD MOUNTING BRACKET (IC700 AND IC700ES)

⚠ WARNING

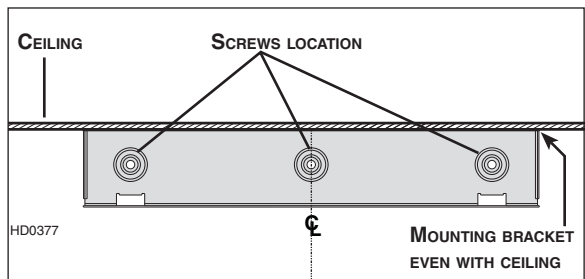
When cutting or drilling into wall, do not damage electrical wiring and other hidden utilities.

Construct wood wall framing that is even with the surface of the wall studs. Make sure to assemble wood wall framing to wall studs for a solid installation. Make sure the height of the framing will allow the mounting bracket to be secured to the framing within the dimensions shown (see illustration at right). After wall surface is finished, carefully center and level the hood mounting bracket over installation location. Secure it to wall framing using 3 no. 8 x 1½" screws. Using a level, draw a vertical line up to the ceiling starting from the mounting bracket center.



10. INSTALL UPPER FLUE MOUNTING BRACKET (IC700 AND IC700ES)

Center the upper flue mounting bracket with the center line previously drawn in step 9 and place it even with the ceiling. Use the upper flue mounting bracket as a template to mark the position of its screws. Drill the 3 screw holes using a 3/16" drill bit. Insert the included drywall anchors into the drilled holes (1 per hole). Secure the upper flue bracket to the wall using 3 no. 8 x 3/4" screws. Ensure that the bracket is tight against the wall.



11. INSTALL THE HOOD (IC700 AND IC700ES)

⚠ WARNING

BE CAREFUL when installing the decorative flue and hood, they may have sharp edges.

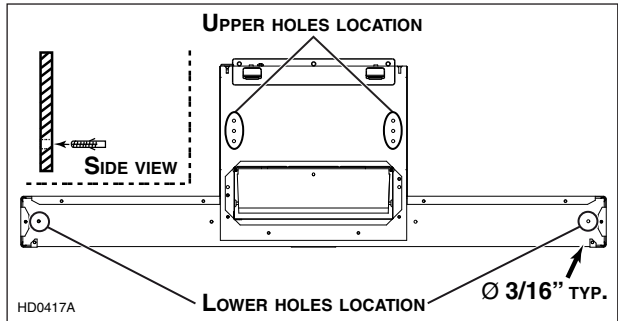
CAUTION

DO NOT REMOVE yet the protective plastic film covering the decorative flues (upper and lower).

1. Align the hood and center it above the hood mounting bracket. Gently lower the hood until it securely engages the bracket, and slightly pull it downward to make sure it is fully engaged.

2. Level the hood.

3. Mark the position of both holes located inside lower back of hood (as shown at right). Also mark the position of 2 of the 6 available upper holes (one on each side). Remove the hood. Drill through both lower holes using a 3/16" drill bit. Insert the included drywall anchors into both lower drilled holes.



Align the hood and center it above the hood mounting bracket. Gently lower the hood until it securely engages the bracket, and slightly pull it downward to make sure it is fully engaged.

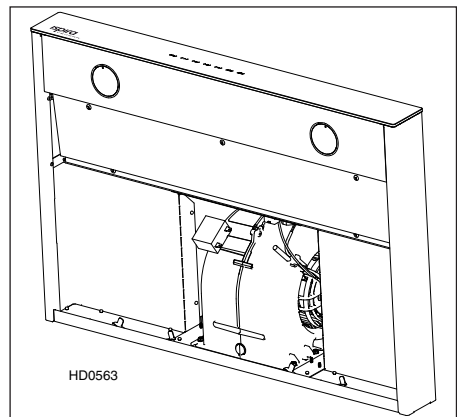
NOTE: For horizontal discharge only, make sure the adapter/damper enters the duct opening and seal joint from inside the hood using 2" metal foil duct tape.

4. Secure the hood to the wall using 2 no. 8 x 3/4" screws for lower holes, and 2 no. 8 x 1½ for upper holes.

12. REINSTALL THE BLOWER (HORIZONTAL DISCHARGE ONLY - IC700)

1. Position the blower on the back wall discharge. Secure the blower to the hood using a 5/16" socket, or a Robertson or a Phillips no. 2 screwdriver and the 4 previously removed screws.

NOTE: In order to ease installation, before mounting the blower, prepare the screw holes by screwing all 4 screws without the blower, then remove and mount the blower.



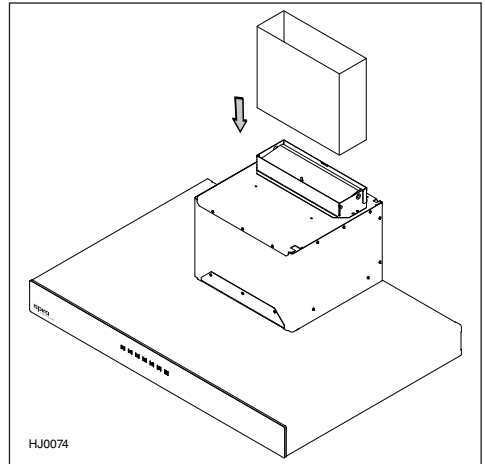
CAUTION

Make sure that the screws are well tightened before continuing the installation.

13. DUCT CONNECTION (VERTICAL DISCHARGE ONLY - IC700 AND IC700ES)

1. Plug hood power cord into the outlet.
2. Slide the duct over the adapter/damper on the hood.
3. Use metal foil duct tape to seal the joint.

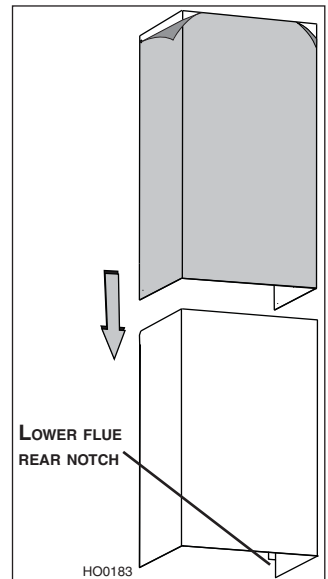
NOTE: If a transition to 7" or 8" round duct is used, it is recommended to place it at least 18" away from the adapter/damper.



14. PREPARE THE DECORATIVE FLUE (IC700 AND IC700ES)

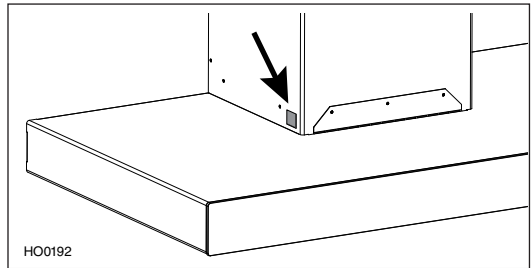
1. Remove protective plastic film covering the lower flue only.
2. Peel off both corners at the top of the upper flue.
3. Position the lower flue rear notches down.
4. Gently slide upper flue inside lower flue.

NOTE: Both lower and upper flues are included with the hood, but for a 10-foot ceiling, discard the provided upper flue and use the optional extension flue, part no. 19323 (sold separately).

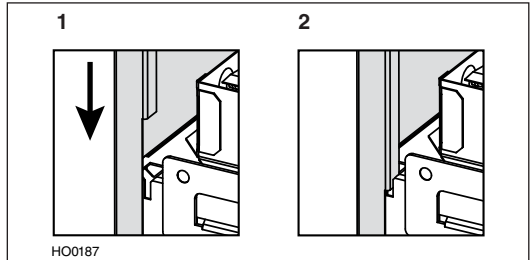


15. INSTALL THE DECORATIVE FLUE (IC700 AND IC700ES)

1. To prevent the flue from moving, affix the included foam squares on both sides near the front edge of the blower box (as illustrated at right).



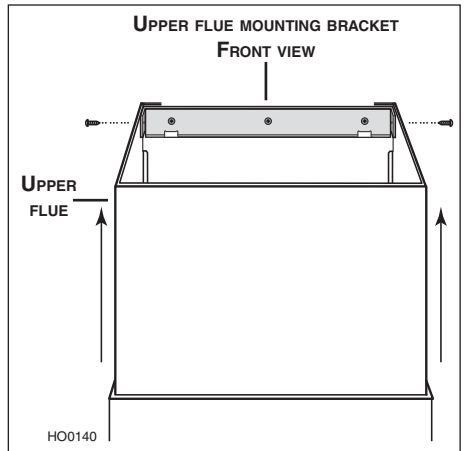
2. Carefully slide in place decorative lower flue (notches end first) on top of the hood (1) until flue notches completely fit in hood slots (2).



3. Slide up the upper flue until it is aligned with its mounting bracket. The bracket must be inside the flue. Secure the upper flue to its bracket using 2 no. 8 x 1/2" screws (included). See illustration at right.

NOTE: Duct not shown in illustration to ease understanding.

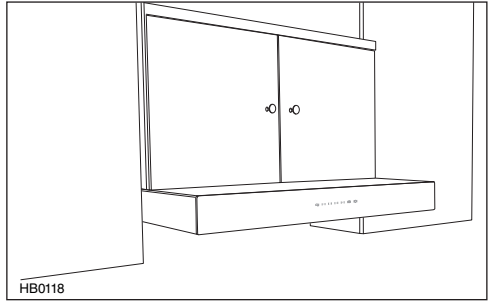
4. Remove protective plastic film covering the upper flue.



16. BUILT-IN INSTALLATION (IB700)

Although this is a chimney range hood, it can also be installed built-in the cabinetry without its chimney. Following is our recommended built-in installation.

NOTE: Installation may vary depending on the cabinet set-up.

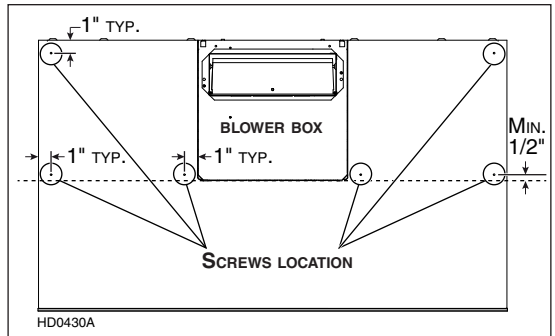


1. Follow steps presented in sections 1 to 8.
2. a) **HORIZONTAL DISCHARGE:** Cut-out a 11 5/8" width x 12 3/4" depth opening in cabinet bottom.
b) **VERTICAL DISCHARGE:** Cut-out a 11 5/8" square opening in cabinet bottom.

3. Drill 3 holes on each side of the blower box at approximately 1" from the sides of the hood ensuring they will be reachable from the inside of the hood.

CAUTION

Do not drill any holes beyond the blower box limits.



16. OPTIONAL BUILT-IN INSTALLATION (IB700) (CONT'D)

NOTE: For better precision, the illustration at right shows the screws location on the left side of the hood only; their location is the same on the right side of the hood.

- Slide the blower box in the opening and secure the hood to the bottom of the cabinet using 6 screws (A) (3 screws on each side). Secure the hood to the wall by inserting a screw in one of the 3 available holes (B) on each side of the blower box (1 screw on each side).

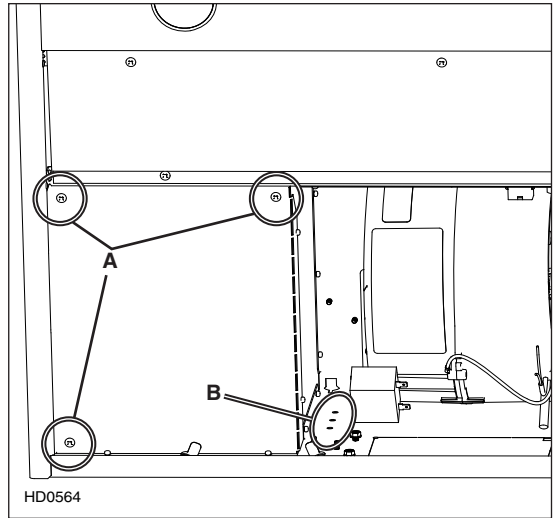
FOR HORIZONTAL DISCHARGE ONLY

Ensure the adapter/damper enters the duct opening and seal joint enters from inside the hood using 2" metal foil duct tape. Reinstall blower by following step 12.

FOR VERTICAL DISCHARGE ONLY

Measure the length of metal duct required from the adapter/damper to the house ductwork. Slide the duct over the adapter/damper and seal joints using 2" metal foil duct tape.

- Plug the hood power cord into the outlet.
- Finalise the installation by following step 17.

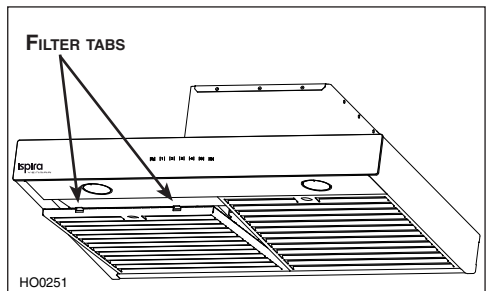


17. REINSTALL HYBRID FILTERS (ALL MODELS)

CAUTION

Remove protective plastic film covering filters before reinstalling them.

Rest rear filters edge on filter springs in the range hood. Tilt up the filters into position. Make sure filter tabs are securely engaged in range hood front edge slots after installation.



18. LED LIGHTING

The lighting of this hood is produced by two LED modules (included).

WARNING

Do not touch lamps during or soon after operation. Burns may occur. Cannot be replaced by any other type of light bulb or LED module.

19. CARE

WARNING

Before servicing or cleaning the unit, switch power off at service panel and lock service panel to prevent power from being switched on accidentally. When the service disconnecting means cannot be locked, securely fasten a prominent warning device, such as a tag, to the service panel.

HYBRID FILTERS

Hybrid filters should be cleaned monthly. Remove hybrid filters by pushing them towards the back of the hood and flipping them downward. Use a warm detergent solution to clean the filters. Let them dry and reinstall them. Hybrid filters are dishwasher safe. Clean all-metal filters in the dishwasher using a non-phosphate detergent. Discoloration of the filter may occur if using phosphate detergent or as a result of local water conditions — but this will not affect filter performance. This discoloration is not covered by the warranty.

STAINLESS STEEL

Do:

- Regularly wash with clean cloth or rag soaked with warm water and mild soap or liquid dish detergent.
- Always clean in the direction of original polish lines.
- Always rinse well with clear water (2 or 3 times) after cleaning. Wipe dry completely.
- You may also use a specialized household stainless steel cleaner.

Don't:

- Use any steel or stainless steel wool or any other scrapers to remove stubborn dirt.
- Use any harsh or abrasive cleansers.
- Allow dirt to accumulate.
- Let plaster dust or any other construction residues reach the hood. During construction/renovation, cover the hood to make sure no dust sticks to stainless steel surfaces.

GLASS PANEL

Hot water with mild soap or glass cleaner is all that is usually needed.

When using mild soap, rinse with clear water. Wipe dry with a clean, soft cloth to avoid water marks.

Avoid when choosing a detergent:

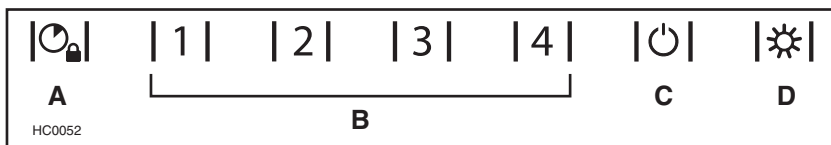
- Any cleaners that contain **bleach**. They will attack stainless steel.
- Any products containing **chloride, fluoride, iodide, bromide**. They will deteriorate surfaces rapidly.
- Any combustible products used for cleaning such as **acetone, alcohol, ether, benzol**, etc. They are highly explosive and should never be used close to a range.

20. OPERATION

Always turn your hood on before you begin cooking to establish an air flow in the kitchen. Let the blower run for a few minutes to clear the air after you turn off the range.

CAUTION

After a power failure or during the range hood power up, a 5-second booting sequence is executed. Wait for the control backlighting to turn off before use.



A. DELAY BUTTON/CONTROL LOCK (DOUBLE FUNCTION BUTTON):

- When a blower speed is selected, press this button to activate the delay function. The delay button will light to its high intensity, then to its mid intensity to indicate this function is activated; the selected blower speed button will alternate every 2 seconds between its high intensity and its mid intensity. The blower will continue to operate for 5 minutes and will stop automatically. Selecting an other speed while the delay function is activated will not deactivate the function or reset the timer. To cancel the delay function, press the delay button once again, or press the selected speed button which will also turn the blower off.

- When the blower is off, it is possible to lock the control interface in order to clean the glass panel.

To lock the control interface: Press and hold this button for 2 seconds. The button will light to its high intensity and flash three times, it will then stay on its mid intensity to indicate that the control interface is locked.

To unlock the control interface: Press and hold this button for 2 seconds. The button will light to its high intensity and flash 3 times, it will then fade out to its low intensity to indicate that the control interface is unlocked.

B. SPEED SELECTION BUTTONS:

Press the button corresponding to the desired blower speed (from 1 for low speed to 4 for high speed). The chosen speed button will light to its high intensity then fade to its mid intensity. To turn off the blower, press once more on the corresponding blower speed button; the button light will fade to its low intensity.

NOTE: When blower is off, pressing on blower speed 1 button will cause the blower to start on second speed for a very short lapse of time, and then resume to speed 1.

C. MASTER ON/OFF:

When the blower is off, press this button to turn the hood on to the last memorized speed level. If there is no memorized speed level, speed will be set at level 1. To turn off the blower and the light simultaneously, press this button once.

20. OPERATION (CONT'D)

HEAT SENTRY™: The hood is equipped with a HEAT SENTRY thermostat. If blower is ON at a lower speed setting and excessive heat is detected above the cooking surface, it turns the blower up to third speed. When the temperature level drops to normal, the blower will return to its original setting.

NOTE: When Heat Sentry is activated, the “DELAY OFF” function is inactivated.

WARNING

The Heat Sentry can change the speed of the blower when excessive heat is detected above the cooking surface. If this situation occurs and you must stop the blower, press on the third speed button or on the master ON/OFF button.

D. LIGHT BUTTON/BACKLIGHTING COLOR (DOUBLE FUNCTION BUTTON):

- i. This button allows three different lighting levels according to your needs. Press once for full intensity, twice for intensity level **2**, and once more for nightlight. To turn off the lights, press once more.

If desired, when the lights are on, press and maintain the light button for 1 second; lights will be turned off.

NOTE: When only the lights are ON to any intensity and no interaction with the hood is detected for a 10-second period, the 7 buttons backlighting will fade to its low intensity, acting as a night light feature.

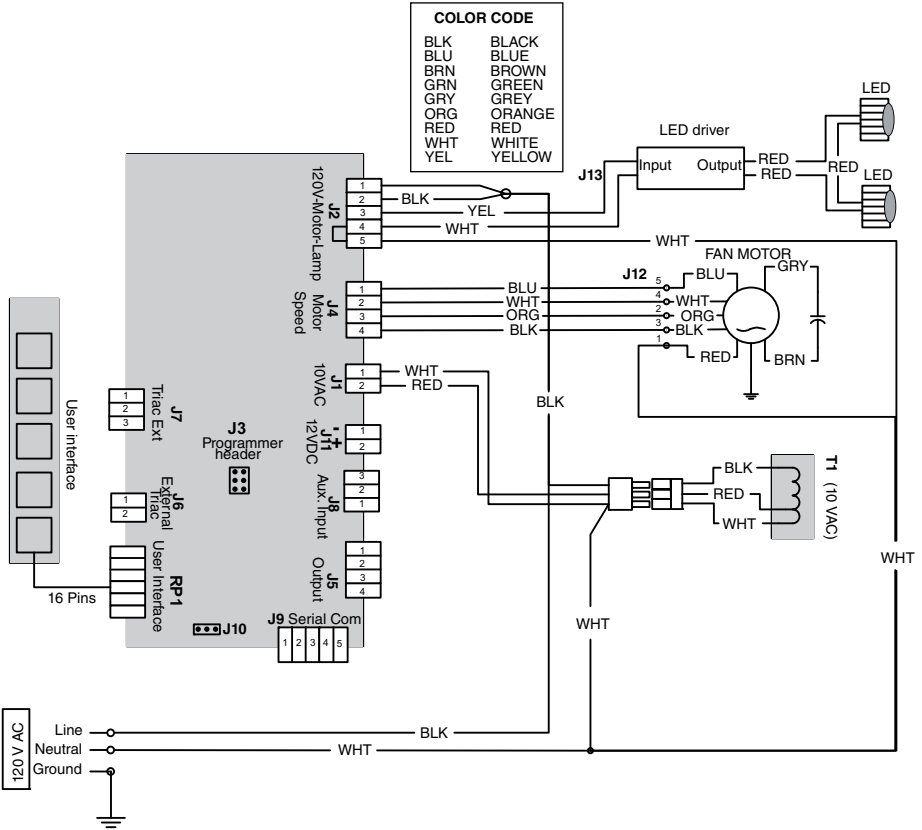
- ii. When lights are off, pressing and holding this button for 1 second will switch the backlighting color from white to blue or from blue to white (default backlighting color is white) and memorize it. The button will flash three times to indicate that the color change has been made.

NOTE: Due to the particular sensitivity of the control interface, keep the glass panel clean as dirt and condensation may cause erratic operation of the hood blower and/or lighting. If this situation occurs, wipe the glass panel and wait 90 seconds. Then, adjust the blower and/or lighting at your convenience.

21. WIRING DIAGRAM

⚠ WARNING

Risk of electric shock. Electrical wiring must be done by qualified personnel in accordance with all applicable codes and standards. Before connecting wires, switch power off at service panel and lock service disconnecting means to prevent power from being switched on accidentally.



HE0065A

REPLACEMENT PARTS AND REPAIRS

In order to ensure your unit remains in good working condition, you must use Venmar Ventilation ULC genuine replacement parts only. Venmar Ventilation ULC genuine replacement parts are specially designed for each unit and are manufactured to comply with all the applicable certification standards and maintain a high standard of safety. Any third party replacement part used may cause serious damage and drastically reduce the performance level of your unit, which will result in premature failing. Venmar Ventilation ULC recommends to contact a certified service depot for all replacement parts and repairs.

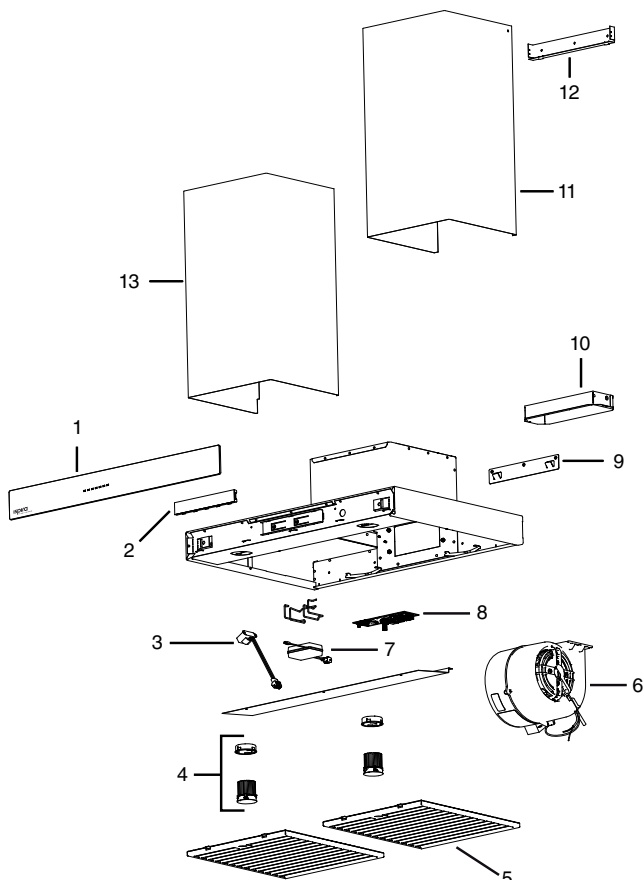
22. SERVICE PARTS

KEY NO.	PART NO.	DESCRIPTION	WIDTHS	
			30"	36"
1	SV09955XX*	GLASS PANEL 30"	1	0
1	SV09956XX*	GLASS PANEL 36"	0	1
2	22427	ELECTRONIC CONTROL	1	1
3	09022	TRANSFORMER	1	1
4	62612	LED MODULE (1)	2	2
5	62053	HYBRID FILTER 15.875" x 14" x 0.5" (1)	2	2
6	SV08582	INTERNAL BLOWER	1	1
7	62248	LED DRIVER AND CONNECTION HARNESS	1	1
8	21189	POWER UNIT	1	1
9	09014	HOOD MOUNTING BRACKET	1	1
10	13296	ADAPTER/DAMPER	1	1
11	SV19134†	UPPER FLUE	1	1
12	19135†	UPPER FLUE MOUNTING BRACKET	1	1
13	SV19133†	LOWER FLUE	1	1
**	21225	INSTALLATION MANUAL	1	1
**	09027	PARTS BAG	1	1

*PART NUMBER ACCORDING TO GLASS PANEL COLOR AND SIZE. PLEASE CONTACT CUSTOMER SERVICE OR VISIT OUR WEB SITE.

**ITEM NOT SHOWN.

†PARTS NOT INCLUDED WITH IB700 MODELS.



HL0227

23. WARRANTY

VENMAR VENTILATION FIVE-YEAR WARRANTY

Venmar Ventilation ULC warrants to the original consumer purchaser of the Venmar Ispira IC700, IC700ES and IB700 Series range hood that such product will be free from defects in materials or workmanship for a period of five (5) years from date of original purchase, except the LED modules and LED driver, which are covered for a period of three (3) years. This warranty includes in-home service for the first year and workshop service for the four (4) remaining years.

THERE ARE NO OTHER WARRANTIES, EXPRESS OR IMPLIED, INCLUDING, BUT NOT LIMITED TO, IMPLIED WARRANTIES OF MERCHANTABILITY OR FITNESS FOR A PARTICULAR PURPOSE. VENMAR VENTILATION ULC WILL NOT BE HELD RESPONSIBLE FOR ANY CLAIMS OVER THE ORIGINAL PURCHASE PRICE OF A VENMAR ISPIRA IC700, IC700ES AND IB700 SERIES RANGE HOOD NOR HELD RESPONSIBLE FOR SUBSEQUENT DAMAGE OR INCIDENT.

During the period stated above, Venmar Ventilation ULC will, at its option, repair or replace without charge any product or part which is found to be defective under normal use and service. THIS WARRANTY DOES NOT EXTEND TO FUSE, FILTERS, DUCTS, ROOF CAPS, WALL CAPS AND OTHER ACCESSORIES FOR DUCTING.

This warranty does not cover a) normal maintenance and service b) any products or parts which have been subject to misuse, negligence, accident, improper maintenance or repairs made by other than Venmar Ventilation ULC, or c) a faulty installation or installation contrary to recommended installation instructions.

Warranty service is to be completed by an authorized Service Center designated by Venmar Ventilation ULC. Where applicable, in-home service will be made available only in areas where a contracted service provider offers service. If in-home service is not available, the product will be repaired or replaced, at Venmar Ventilation ULC's discretion, by the nearest authorized service provider. The unit removal and reinstallation works are under the customer responsibility, and Venmar Ventilation ULC cannot be charged for them.

The duration of any implied warranty is limited to the 5-year period as specified for the express warranty. Some provinces do not allow limitation on how long an implied warranty lasts, so the above limitation may not apply to you.

VENMAR VENTILATION ULC'S OBLIGATION TO REPAIR OR REPLACE AT VENMAR VENTILATION ULC'S OPTION, SHALL BE THE PURCHASER'S SOLE AND EXCLUSIVE REMEDY UNDER THIS WARRANTY. VENMAR VENTILATION ULC SHALL NOT BE LIABLE FOR INCIDENTAL, CONSEQUENTIAL OR SPECIAL DAMAGES ARISING OUT OF OR IN CONNECTION WITH PRODUCT USE OR PERFORMANCE. SOME PROVINCES DO NOT ALLOW THE EXCLUSION OR LIMITATION OF INCIDENTAL OR CONSEQUENTIAL DAMAGES, SO THE ABOVE LIMITATION OR EXCLUSION MAY NOT APPLY TO YOU.

This warranty gives you specific legal rights and you may also have other rights, which vary from province to another. This warranty supersedes all prior warranties.

To contact Venmar Ventilation ULC warranty service, call 1-800-567-3855 in Canada. In order to qualify for a warranty claim, the owner of a Venmar Ispira IC700, IC700ES or IB700 Series range hood must have the model and serial number along with a proof of the original purchase date. At the time of requesting service, describe the nature of any defect in the product or part.

Venmar Ventilation ULC, 550 Lemire Blvd., Drummondville, QC J2C 7W9 (1-800-567-3855)

www.venmar.ca