

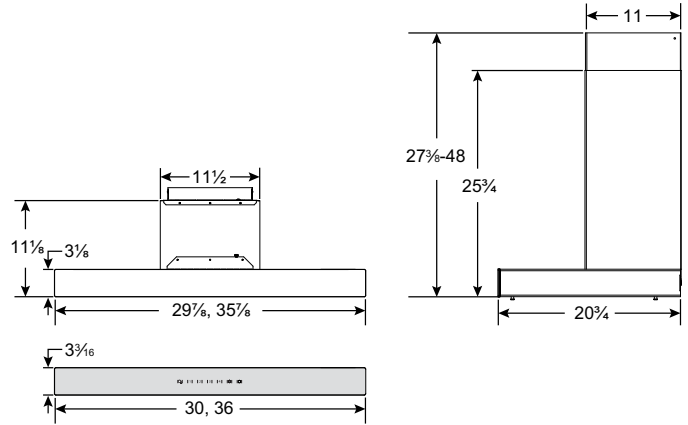
SPECIFICATIONS

MODEL	CC700 SERIES
VOLTS	120 VAC
Hz	60
AMPS	4.3
CFM (LOW SPEED)	200
CFM (HIGH SPEED)	600*
SONES (LOW SPEED)	1.4
SONES (HIGH SPEED)	10.5
DUCTING SIZES	6" ROUND** OR 3 1/4" x 10"
2 SHIELDED HALOGEN BULBS	120 V, 50 W, GU10 BASE
WARRANTY	5 YEARS

*ASK A RECOMMENDED INSTALLER TO LIMIT CFM TO 300.

**535 CFM.

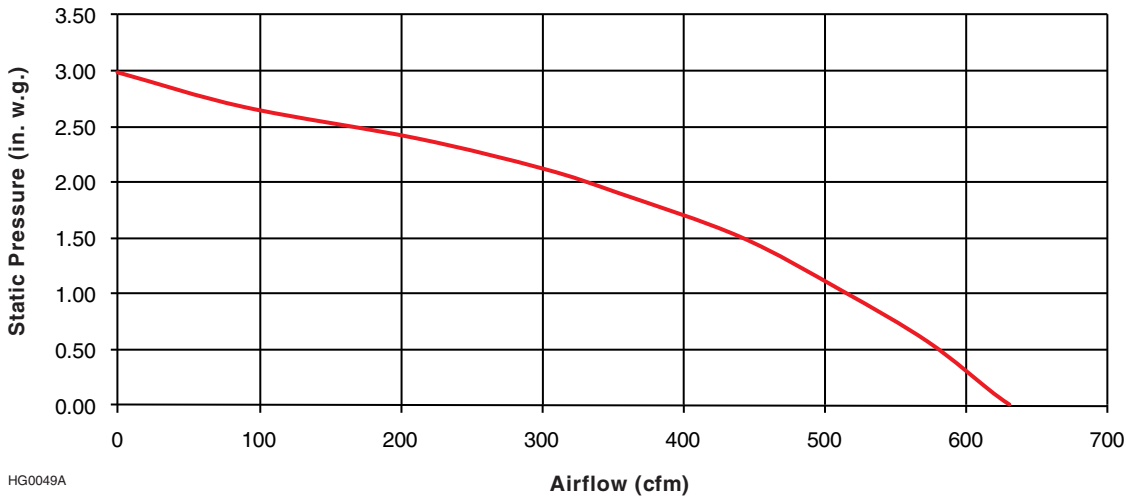
DIMENSIONS



HK0067

NOTE: DIMENSIONS SHOWN ARE IN INCHES.

AIR FLOW PERFORMANCE



HG0049A



HVI-2100 CERTIFIED RATINGS comply with new testing technologies and procedures prescribed by the Home Ventilating Institute, for off-the-shelf products, as they are available to consumers. Product performance is rated at 0.1 in. (2.54 mm) static pressure, based on tests conducted in a state-of-the-art test laboratory. Sones are a measure of humanly-perceived loudness, based on laboratory measurements.



www.venmar.ca www.ispira.ca

Venmar Ventilation inc., 550 Lemire Blvd., Drummondville, Québec, Canada J2C 7W9 - Tel: 1-800-567-3855 Fax: 1-800-567-1715

PROJECT	REMARKS
LOCATION	
MODEL No.	
QTY.	
SUBMITTED BY	
DATE	