



## Venmar AVS Novofit 1.0

Part no. 41121

54 to 104 CFM (0.4 in. w.g.)



VB0122

### NOVOFIT SERIES: ALL THE HRV FEATURES REQUIRED BY NOVOCLIMAT™

The Venmar AVS NovoFit Series is the answer to the new Novoclimat\* residential construction requirements. Those Heat Recovery Ventilators offer all the basic features that ensure quick installation and trouble-free operation. This state-of-the-art air exchanger allows evacuating the stale air from the house while entering in an equivalent amount of fresh air to maintain a balanced pressure.

The contractor's priority is to offer affordable improved indoor air quality to the customer. At Venmar, we also share this vision: provide a reliable product that will ensure the homeowner a healthier environment. The NovoFit is ideal for new residential constructions.

- Faster and easier installation of insulated flexible ducts with practical straps
- Integrated balancing dampers designed to facilitate balancing of air flow
- Easy access to components and electronics
- Homeshield™ defrosting system (no negative pressure)
- Heat recovery core offers greater comfort
- Design with 2 PSC – High-pressure blowers
- Integrated draining system with antimicrobial coating
- ENERGY STAR® qualified

\*Novoclimat is a program of the Agence de l'efficacité énergétique du Québec.

### REPAIRS AND MAINTENANCE

The AVS Novofit 1.0 low power consumption PSC motors are permanently lubricated. The electronic circuit board eliminates electromechanical parts, reducing repair time to a minimum.

### WARRANTY

The AVS Novofit 1.0 unit is protected by a complete 2-year warranty on all parts. The heat recovery core is covered by a limited lifetime warranty, with the original proof of purchase.

Available at:

## HEAT RECOVERY VENTILATOR

### Controls

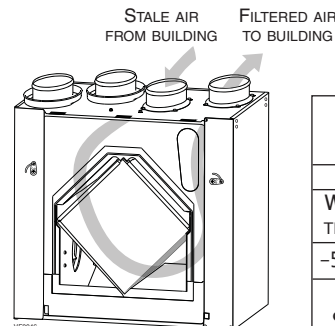
- This unit is very simple to operate. Once it is installed, press on its push button, located under the unit, to activate it. Press once for low speed, once again for high speed, and once more to stop it
- The following main controls are available:
  - Altitude programmable digital control with Smart mode no. 40440
  - Deco-Touch digital control no. 40395
- Also, 1 to 5 of the following optional controls can be added:
  - 20/40/60-min. Push-Button Timer no. 03364
  - 60-min. Mechanical Timer no. 00910

### Options

- Complete line of registers and diffusers

### Homeshield™ Defrosting System

The AVS Novofit 1.0 uses a unique defrosting method. No negative pressure is created by air exhausted to the outside, as the air is recirculated into the house, helping to prevent any backdraft.



OUTSIDE TEMPERATURE		DEFROST CYCLE DEFROSTING MIN./ OPERATING MIN.
°C	°F	
WARMER THAN -5	WARMER THAN 23	No DEFROST
-5 TO -27	23 TO -17	7/25
-27 & LESS	-17 & LESS	10/22

### Heat Recovery Core

Dimensions: 10" x 10" x 14.25" (25.4 cm x 25.4 cm x 36.2 cm)

Exchange surface: 100 ft<sup>2</sup> (9.3 m<sup>2</sup>)

Weight: 7.26 lb (3.3 kg)

Material: Polypropylene

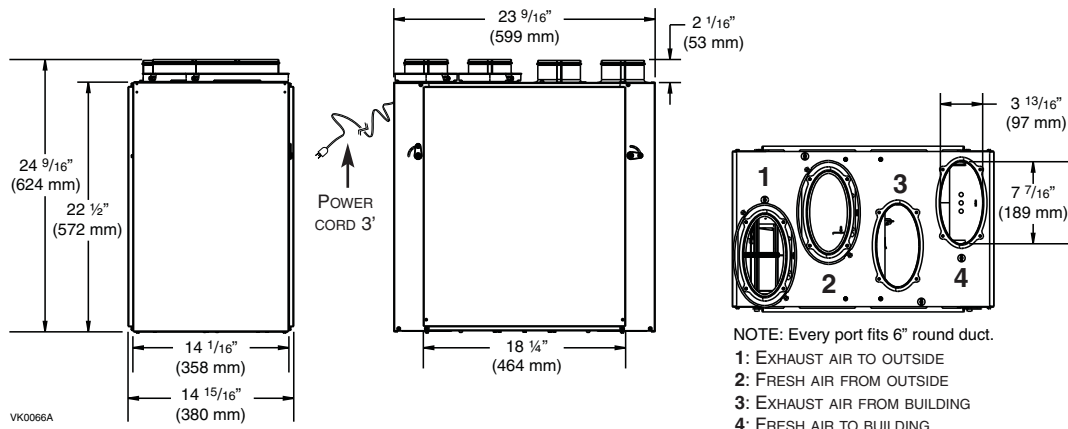
Type: Cross flow

Warranty: Limited lifetime

### Requirements and Standards

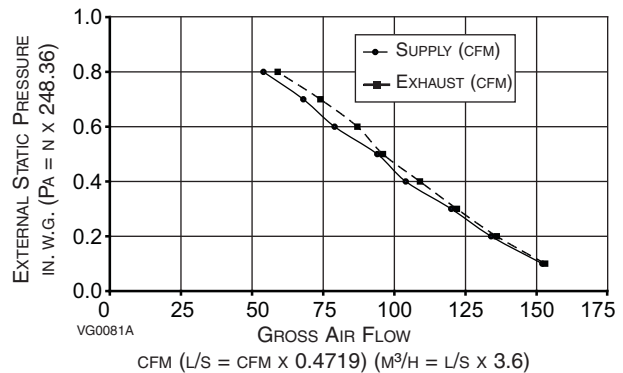
- Complies with the UL 1812 requirements regulating the installation of Heat Recovery Ventilators
- Complies with the CSA C22.2 no. 113 Standard applicable to ventilators
- Complies with CSA C444 requirements regulating the installation of Heat Recovery Ventilators
- Technical data was obtained from published results of tests relating to CSA C439 Standards
- HVI certified and ENERGY STAR® qualified

## Dimensions: Venmar AVS Novofit 1.0



## Ventilation Performance

EXT. STATIC PRESSURE	NET SUPPLY AIR FLOW			GROSS AIR FLOW						
				SUPPLY			EXHAUST			
PA	IN. W.G.	L/S	CFM	M <sup>3</sup> /H	L/S	CFM	M <sup>3</sup> /H	L/S	CFM	M <sup>3</sup> /H
25	0.1	72	152	259	72	153	259	72	153	259
50	0.2	63	134	227	63	135	227	64	136	230
75	0.3	56	120	202	57	120	205	57	122	205
100	0.4	49	104	176	49	105	176	51	109	184
125	0.5	44	94	158	44	94	158	45	96	162
150	0.6	37	79	133	37	79	133	41	87	148
175	0.7	32	68	115	32	69	115	35	74	126
200	0.8	26	54	94	26	55	94	28	59	101



## Energy Performance

SUPPLY TEMPERATURE		NET AIR FLOW		POWER CONSUMED WATTS	SENSIBLE RECOVERY EFFICIENCY	APPARENT SENSIBLE EFFECTIVENESS	LATENT/RECOVERY MOISTURE TRANSFER
°C	°F	L/S	CFM				
HEATING							
0	32	25	54	46	73	81	0.00
0	32	33	70	54	70	78	0.00
0	32	48	102	84	65	73	0.00
-25	-13	26	54	61	64	84	0.02

NOTE: All specifications are subject to change without notice.

## SPECIFICATIONS AND RATINGS

- Model: Venmar AVS Novofit 1.0
- Part number: 41120
- Total assembled weight (including polypropylene core): 52.0 lb (23.6 kg)
- Oval shaped ports; fit 6" round ducts
- Drains: 1/2" (1.2 cm) fittings with 10 ft (3 m) PVC drain
- Core filters: 2 washable Merv 7 9.2" x 14.25" x 3.8" (23.4 cm x 36.2 cm x 9.6 cm)
- Housing: Pre-painted steel
- Insulation: Expanded polystyrene
- Mounting: Suspension by chains and springs
- Supply & Exhaust blower motors: 2 PSC motors
  - Protection type: Thermally protected
  - Insulation class: F
- Speed control on unit:
  - Low and high speed
  - Other modes available with Altitude main control
- Heat recovery core:
  - Heat exchange surface area: 100 ft<sup>2</sup> (9.3 m<sup>2</sup>)
  - Type: Cross flow
  - Material: Polypropylene
- Unit electrical characteristics:
 

Volts	Frequency	Ampere	Watts
120	60 Hz	0.9	84

PROJECT:	REMARKS
LOCATION:	
MODEL NO.:	
QTY.:	
SUBMITTED BY:	
DATE:	



Residential Product Group, 550 Lemire Blvd., Drummondville, QC, Canada J2C 7W9 - Tel.: 1-800-567-3855 Fax: 1-800-567-1715



www.venmar.ca

12/03

PRODUCT SHEET NO. 91415