



VENMAR AVS SOLO 1.5

Part no. 43720 Canada

Part no. 43725 U.S.A.

64 to 150 CFM (0.4 in. w.g.)



VB0090

THE "EXCESS MOISTURE" SYSTEM; WHEN ALL THE SIGNS POINT TO EXCESS HUMIDITY

The dramatic strength of the AVS SOLO is its ability to help control humidity and window condensation during the colder season. Customers benefit from clean, fresh air in a more comfortable environment, while optimizing energy efficiency and protecting their homes.

- Reversible unit installation
- Improved standard filter performance
- Unique pan design, easy to clean and maintain
- Integrated balancing dampers and pressure taps
- Crossflow heat recovery core
- Exclusive HomeShield™ patented defrost system
- SilentSure™ operation
- PSC motor
- ENERGY STAR® qualified

REPAIRS AND MAINTENANCE

All parts of the AVS SOLO can be removed in less than five minutes, allowing direct access for easy repairs. The low power consumption PSC motor is permanently lubricated. Even better, the entire motor assembly can be removed in less than a minute for easier maintenance. Finally, the electronic circuit board eliminates electromechanical parts, reducing repair time to a minimum.

WARRANTY

The AVS SOLO units are protected by a complete 5-year warranty on all parts. The heat recovery core is covered by a limited lifetime warranty, with the original proof of purchase.

Available at:

HEAT RECOVERY VENTILATOR

Controls

- Our main control Altitude (no. 40440) allows you to manage your ventilation with a programmable mode. This control also features our fully automated optimizer mode called the Smart mode.
- The following main controls are also available:
 - Deco-Touch digital control no. 40395
 - Venta no. 40310
- One or more of the following optional controls can also be added:
 - Humidity Control no. 11297
 - 60-minute mechanical timer no. 00910
 - 20/40/60-minute push button no. 03364

Options

- Complete line of registers and diffusers
- Electric duct heater
- Filters:
 - Charcoal no. 03315
 - Pleated no. 03316
 - Electronic no. 03314

Homeshield™ Defrosting System

The AVS SOLO uses a unique defrosting method. No negative pressure is created by air exhausted to the outside, as the air is recirculated into the house, helping to prevent any backdraft.

OUTSIDE TEMPERATURE		DEFROST CYCLE DEFROSTING MIN./ OPERATING MIN.
°C	°F	
WARMER THAN -5	WARMER THAN 23	No DEFROST
-5 TO -15	23 TO 5	6/60
-15 TO -27	5 TO -19	6/32
-27 & LESS	-19 & LESS	6/20

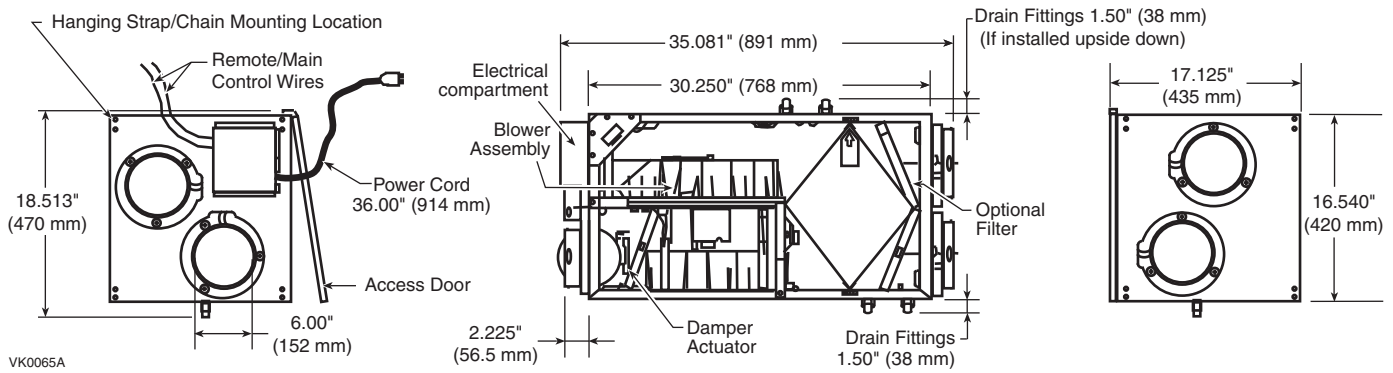
Heat Recovery Core

Dimensions: 12" x 14" x 15½" (31 cm x 36 cm x 40 cm)
 Exchange surface: 102 ft² (9.54 m²)
 Weight: 6.2 lb (2.8 kg)
 Material: Polypropylene
 Type: Crossflow core
 Warranty: Limited lifetime

Requirements and Standards

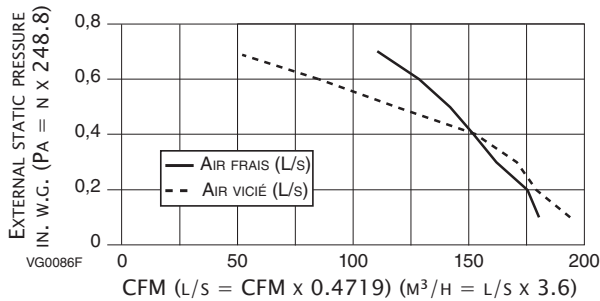
- Complies with the UL 1812 requirements regulating the installation of Heat Recovery Ventilators
- Complies with the CSA C22.2 no. 113 Standard applicable to ventilators
- Complies with the CSA F326 requirements regulating the installation of Heat Recovery Ventilators
- Technical data was obtained from published results of tests relating to CSA C439 Standards
- HVI certified and ENERGY STAR® qualified

Dimensions: Venmar AVS SOLO 1.5



Ventilation Performance

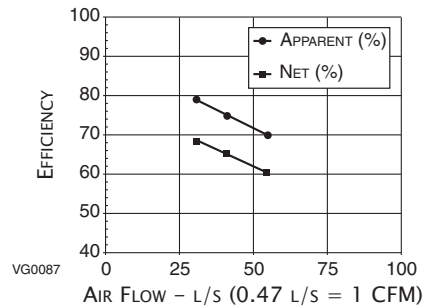
EXT. STATIC PRESSURE	NET SUPPLY AIR FLOW			GROSS AIR FLOW						
	Pa	in. w.g.	l/s	cfm	m ³ /h	SUPPLY			EXHAUST	
25	0.1	85	180	306	86	182	310	92	194	331
50	0.2	82	174	295	82	175	295	86	182	310
75	0.3	77	163	277	77	164	277	81	171	292
100	0.4	71	150	256	71	151	256	71	151	256
125	0.5	67	141	241	67	142	241	57	120	205
150	0.6	60	128	216	61	130	220	40	85	144
175	0.7	51	108	184	52	110	187	27	57	97



NOTE: All specifications are subject to change without notice.

Energy Performance

SUPPLY TEMPERATURE		NET AIR FLOW			POWER CONSUMED	SENSIBLE RECOVERY EFFICIENCY	APPARENT SENSIBLE EFFECTIVENESS	LATENT/RECOVERY MOISTURE TRANSFER
°C	°F	L/S	CFM	M ³ /H	WATTS			
HEATING								
0	32	31	66	111	62	67	79	-0.01
0	32	40	86	144	75	64	75	-0.01
0	32	57	120	205	90	61	70	-0.01
-25	-13	38	81	137	83	60	76	0.02
COOLING						TOTAL RECOVERY EFFICIENCY		
35	95					NOT TESTED		



Specifications and Ratings

- Model: AVS SOLO 1.5
- Part Nos.: 43720 Canada, 43725 U.S.A.
- Total assembled weight (including polypropylene core) : 65 lb (29.5 Kg)
- Supply and Exhaust air duct connections: 6" (15.24 cm) diameter
- Drains: 1/2" (1.2 cm) fittings with 10 ft (3 m) PVC drain
- Filters: 20 ppi washable reticulated foam 15.375" x 7.125" x 0.75" (39 cm x 18 cm x 1.9 cm)
- Housing: Pre-painted steel
- Insulation: 1" (2.54 cm) aluminum foil faced fiberglass, 0.825" (2.10 cm) expanded polystyrene
- Mounting: Suspension by chains and springs
- Supply and Exhaust blower motor: 1 motor
 - Protection type: Thermally protected
 - Insulation class: B
- Fan speed control:
 - Low or increased low, high speed
 - Two speeds available for the user
 - Low or increased low speed is selected at the time of installation
- Heat recovery core:
 - Heat exchange surface area: 102 ft² (9.54 m²)
 - Type/Material: Crossflow/Polypropylene
- Unit electrical Characteristics:

Volts	Freq	Amperes	Watts
120	60 Hz	1.3	150

PROJECT:	REMARKS
LOCATION:	
MODEL NO.:	
QTY.:	
SUBMITTED BY:	DATE:



Residential Product Group, 550 Lemire Blvd., Drummondville, QC, Canada J2C 7W9 - Tel.: 1-800-567-3855 Fax: 1-800-567-1715



www.venmar.ca

12/03

PRODUCT SHEET NO. 90289