

EXTERNAL ENERGY RECOVERY VENTILATOR

Model w20LCe

Part no. 1620382



VB0035

EFFECTIVE VENTILATION WITHOUT SPACE LOSS

Today's businesses need to optimize every square inch without compromising on ventilation quality. Designed for rooftop applications, this unit delivers 2000 cfm (944 l/s) of ventilation air at 1" w.g. (250 Pa) of external static pressure.

The w20LCe features an enthalpy wheel which is ideal for hot and humid outdoor air conditions and also helps maintain comfortable humidity levels in winter.

- Outdoor installation
- Belt-driven blowers
- Durable pre-painted enamel housing

This product is designed to resolve Indoor Air Quality issues and to satisfy the ventilation requirements of ASHRAE 62 and other applicable building codes in an energy efficient manner. The w20LCe energy recovery ventilator saves on operating costs, decreases demand load and considerably reduces capital costs for heating equipment.

Available at:

Controls

- The basic control is made with terminal strips to select ventilation mode. For optional remote controls, the terminal strips will allow on/off control from remote contacts. Please note that the optional controls can only be installed with 2-speed units.
- Optional remote controls are:
 - Venta (off/min/max and dehumidistat) no. 40310
 - Basic (off/min/max and dehumidistat) no. 40210

Energy Recovery Module

Type: Energy recovery wheel (sensible and latent)

Material: Corrugated style, aluminum substrate with desiccant coating

Wheel size: 42" dia. x 4"

Cassette size: 46" x 46"

(48" clearance is needed for removal from housing)

Servicing: Easily removable in sliding cassette (weight 120 lb)

Warranty: 15-year warranty on enthalpy wheel drive belt and bearings
5-year warranty on enthalpy wheel

Optional Features and Accessories

- Motor: 208/230/1/60, 1.5 hp, 2 speeds no. 04868
- Motor: 208/230/1/60, 2 hp, 1 speed no. 04813
- Insulated Roofcurb no. 205249
- Non Insulated Roofcurb no. 204972
- Flow Measuring Station no. 1605135

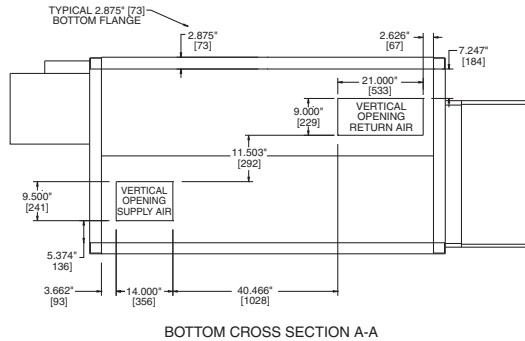
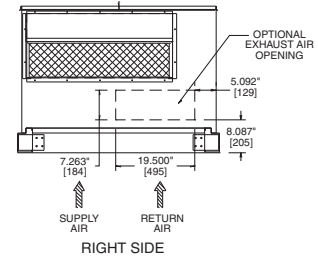
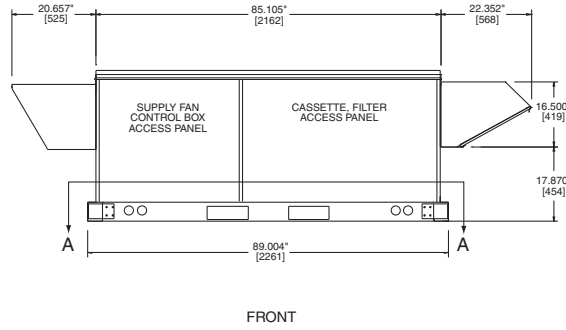
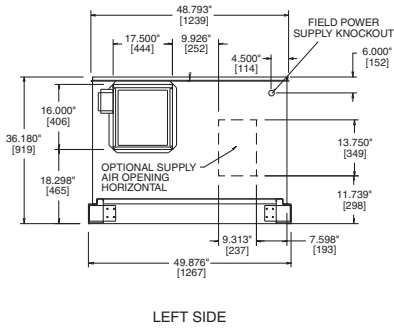
Requirements and Standards

- Complies with the CSA C22.2 and UL 1812
- CETL and ETL approved
- Airflow data complies with AMCA 210 method of testing fans
- Insulation and enthalpy wheel comply with NFPA 90A requirements for flame spread and smoke generation

Warranty

The w20LCe unit is fully protected by a 2-year warranty on all parts, excluding energy recovery wheel assembly.

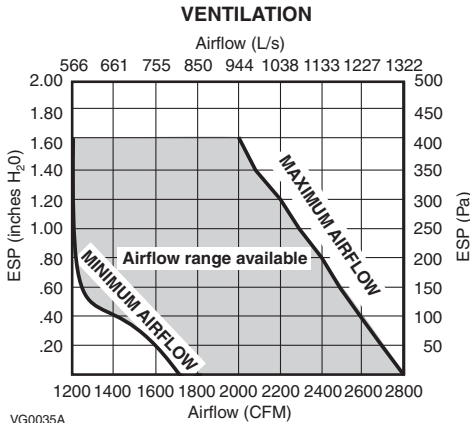
Dimensions and clearance: w20LCe



- NOTES: 1. A minimum of 48" is required from any obstructions for removal of energy recovery module, fans and filters.
 2. Dimensions in brackets are in millimeters.

VK0031A

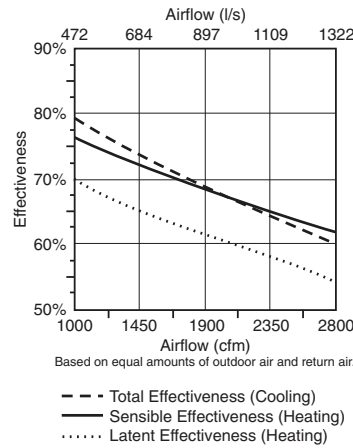
Ventilation Performances



VG0035A

- NOTES: 1. Airflow range is achieved by various pulley and motor combinations.
 2. Airflow based on supply blower.

Energy Performances



Ratings outside the scope of the ARI Energy Recovery Ventilation Certification Program.
 VG0066A

Model Number: ERW-42-4-A-X

Type: Wheel Nominal Airflow: 1400 scfm
 Pressure Drop: 0.20 inches w.g.

Leakage Ratings

	Pressure Differential	EATR	OACF	Purge Angle or Setting
Test 1:	0.00 inches	4.2%	1.00	N/A
Test 2:	0.50 inches	3.3%	1.01	N/A
Test 3:	1.00 inches	2.4%	1.03	N/A

Thermal Effectiveness Ratings at 0" Pressure Differential

	Sensible	Latent	Total
100% Airflow Heating Condition:	73%	66%	70%
75% Airflow Heating Condition:	76%	70%	74%
100% Airflow Cooling Condition:	72%	75%	74%
75% Airflow Cooling Condition:	75%	80%	78%
	Net Sensible	Net Latent	Net Total
100% Airflow Heating Condition:	73%	66%	70%
75% Airflow Heating Condition:	76%	70%	74%
100% Airflow Cooling Condition:	72%	75%	74%
75% Airflow Cooling Condition:	75%	80%	78%



Energy recovery component certified in accordance with ARI Standard 1060-2001. Actual performance in packaged equipment may vary.

Specifications and Ratings

- Model: w20LCe
- Part number: 1620382
- Total assembled weight: 850 lb
- Dampers: Insulated spring return supply damper and insulated motorized exhaust damper
- Housing: Gray, pre-painted steel
- Hoods: Intake & exhaust included
- Defrost: Exhaust only
- Ports: Down supply discharge and bottom return air
- Filtration: Supply & exhaust filtration
- Motor: Single phase, 1.5 hp, 1 speed
- Unit electrical characteristics:
 - Voltage: 208 volts ac
 - Frequency: 60 Hz

Submitted by:		Date:	Project:
Quantity:	Model number:	Remarks:	Location:
			Architect:
			Engineer:
			Contractor:

