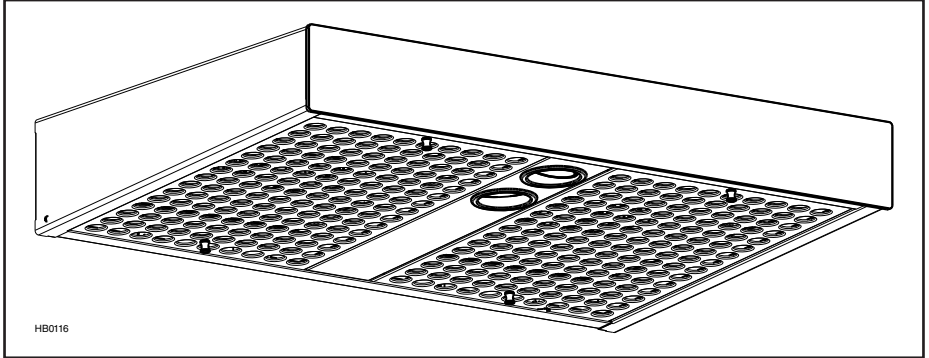


INSTALLATION INSTRUCTIONS



C700 SERIES

⚠ INTENDED FOR DOMESTIC COOKING ONLY ⚠

READ AND SAVE THESE INSTRUCTIONS

INSTALLER: LEAVE THIS MANUAL WITH HOMEOWNER.
HOMEOWNER: USE AND CARE INFORMATION
ON PAGES 10 TO 12.

Venmar Ventilation Inc., 550 Lemire Blvd., Drummondville QC J2C 7W9
1-800-567-3855

REGISTER YOUR PRODUCT ONLINE AT: www.bnv.ca



For additional information, visit
www.venmar.ca or www.ispira.ca

7 723711 11473 9

SV09627 rev. 04

⚠ WARNING

TO REDUCE THE RISK OF FIRE, ELECTRIC SHOCK OR INJURY TO PERSONS, OBSERVE THE FOLLOWING:

1. Use this unit only in the manner intended by the manufacturer. If you have questions, contact the manufacturer at the address or telephone number listed in the warranty.
2. Before servicing or cleaning unit, switch power off at service panel and lock service disconnecting means to prevent power from being switched on accidentally. When the service disconnecting means cannot be locked, securely fasten a prominent warning device, such as a tag, to the service panel.
3. Installation work and electrical wiring must be done by qualified personnel in accordance with all applicable codes and standards, including fire-rated construction codes and standards.
4. Sufficient air is needed for proper combustion and exhausting of gases through the flue (chimney) of fuel burning equipment to prevent backdrafting. Follow the heating equipment manufacturer's guidelines and safety standards such as those published by the National Fire Protection Association (NFPA) and the American Society for Heating, Refrigeration and Air Conditioning Engineers (ASHRAE) and the local code authorities.
5. When cutting or drilling into wall or ceiling, do not damage electrical wiring and other hidden utilities.
6. Ducted fans must always be vented to the outdoors.
7. Do not use this unit with any additional solid-state speed control device.
8. To reduce the risk of fire, use only metal ductwork.
9. This unit must be grounded.
10. All tempered glass can experience spontaneous breakage. If broken, tempered glass falls out of its opening in interlocking clumps. Tempered glass can, on occasion, break into large shards rather than the classic tiny piece pattern.
11. When applicable local regulations comprise more restrictive installation and/or certification requirements, the aforementioned requirements prevail on those of this document and the installer agrees to conform to these at his own expenses.

TO REDUCE THE RISK OF A RANGE TOP GREASE FIRE:

- a) Never leave surface units unattended at high settings. Boilovers cause smoking and greasy spillovers that may ignite. Heat oils slowly on low or medium settings.
- b) Always turn hood ON when cooking at high heat or when flambéing food (i.e.: Crêpes Suzette, Cherries Jubilee, Peppercorn Beef Flambé).
- c) Clean ventilating fans frequently. Grease should not be allowed to accumulate on fan, filters or in exhaust ducts.
- d) Use proper pan size. Always use cookware appropriate for the size of the surface element.

⚠ WARNING

TO REDUCE THE RISK OF INJURY TO PERSONS IN THE EVENT OF A RANGE TOP GREASE FIRE, OBSERVE THE FOLLOWING*:

1. SMOTHER FLAMES with a close-fitting lid, cookie sheet or metal tray, then turn off the burner. BE CAREFUL TO PREVENT BURNS. IF THE FLAMES DO NOT GO OUT IMMEDIATELY, EVACUATE AND CALL THE FIRE DEPARTMENT.
2. NEVER PICK UP A FLAMING PAN — You may be burned.
3. DO NOT USE WATER, including wet dishcloths or towels — This could cause a violent steam explosion.
4. Use an extinguisher ONLY if:
 - A. You own a Class ABC extinguisher and you know how to operate it.
 - B. The fire is small and contained in the area where it started.
 - C. The fire department has been called.
 - D. You can fight the fire with your back to an exit.

*Based on "Kitchen Fire Safety Tips" published by NFPA.

CAUTION

1. For indoor use only.
2. For general ventilating use only. Do not use to exhaust hazardous or explosive materials and vapors.
3. To avoid motor bearing damage and noisy and/or unbalanced impellers, keep drywall spray, construction dust, etc. off power unit.
4. Your hood motor has a thermal overload which will automatically shut off the motor if it becomes overheated. The motor will restart when it cools down. If the motor continues to shut off and restart, have the hood serviced.
5. The minimum hood distance above cooktop must not be less than 24". A maximum of 30" above cooktop is highly recommended for best capture of cooking impurities. **For a gas range**, the bottom of the hood MUST NOT BE LESS than 30" above cooktop.
6. Two installers are recommended because of the large size and weight of this unit.
7. To reduce the risk of fire and to properly exhaust air, be sure to duct air outside — Do not exhaust air into spaces within walls or ceiling or into attics, crawl space or garage.
8. Because of the high exhausting capacity of this unit, you should make sure enough air is entering the house to replace exhausted air by opening a window close to or in the kitchen.
9. Use with approved cord-connection kit only.
10. Please read specification label on product for further information and requirements.

TABLE OF CONTENTS

1. INSTALL DUCTWORK	3
2. PREPARE THE INSTALLATION	4
3. PREPARE THE HOOD	5
4. INSTALL GLASS PANEL (WG MODELS ONLY).....	6
5. INSTALL THE ADAPTER/DAMPER	6-7
6. INSTALL THE HOOD	8
7. CONNECT WIRING	8
8. REINSTALL BLOWER WHEELS AND BOTTOM PANEL.....	9
9. REINSTALL BAFFLE FILTERS	9
10. LIGHT BULBS.....	10
11. CARE	10-11
12. OPERATION.....	11-12
13. WIRING DIAGRAM.....	13
14. SERVICE PARTS	14-15
15. WARRANTY	16

1. INSTALL DUCTWORK

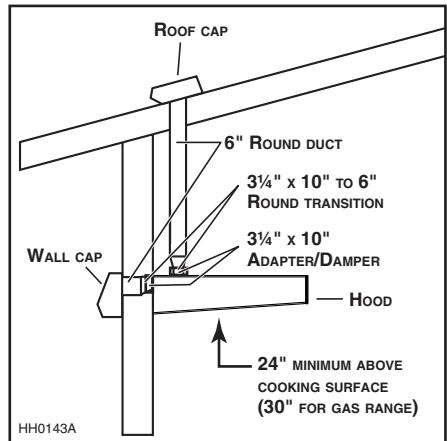
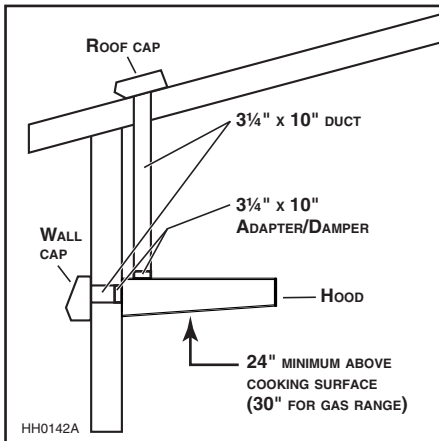
Plan where and how the ductwork will be installed.

A straight, short duct run will allow the hood to perform most efficiently.

Install proper-sized ductwork, elbows and roof or wall cap. Connect metal ductwork to cap and work back towards the hood location. Use 2" metal foil duct tape to seal the joints.

We recommend to install the hood at a minimum distance of 24" from an electric range and at 30" from a gas range.

Distances over 30" are at the installer and users discretion.



2. PREPARE INSTALLATION

WARNING

When performing installation, servicing or cleaning the unit, it is recommended to wear safety glasses and gloves.

NOTE: Before proceeding to the installation, check the contents of the box. If items are missing or damaged, contact the manufacturer.

Make sure that the following items are included:

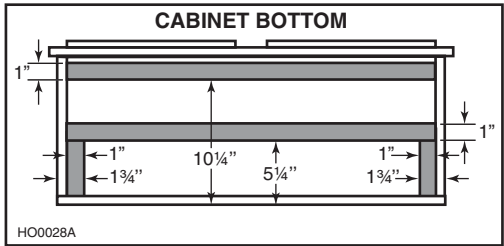
- Hood
- Installation manual
- Accessories:
 - 2 Baffle filters
 - 4 Filter knobs with screws
 - 2 Shielded halogen bulbs (120 V, 50 W, MR16 with GU10 base)
 - 3 1/4" x 10" adapter/damper (located in one styrofoam end cap)
 - Parts bag (located in one styrofoam end cap) including:
 - 1 wire clamp, 7 no. 8 x 1/2" screws, 2 wire connectors and 3 no. 6 x 1/2" standard screws

Parts sold separately:

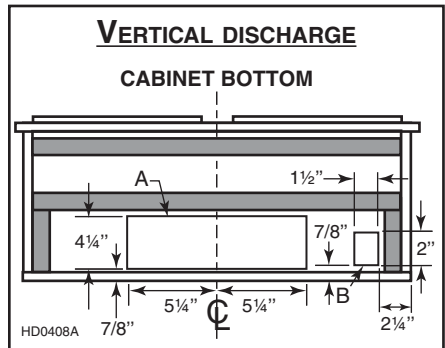
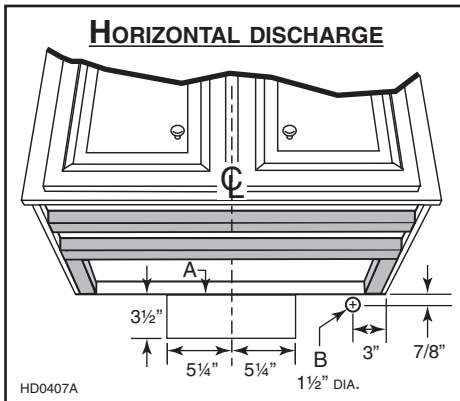
- Ducts, elbows, wall or roof caps
- Transition 3 1/4" x 10" to 6" round (optional, for 6" round ducts installation only)
- Glass panel for C70030WG and C70036WG models (see service parts list on page 14)

NOTE: 1. During installation, protect countertop and/or cooktop.

2. If the bottom of the cabinet is recessed, attach four 1" wide wood strips (not included), as shown at right, in order to properly attach the hood to the cabinet. The wood strips must be as thick as recess.

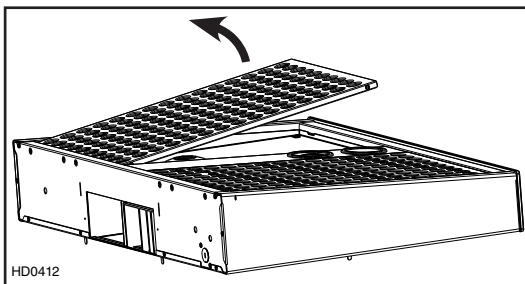


Cut-out the openings for duct (A) and power cable (B), in cabinet or wall, according to the direction of discharge chosen. See figures below.



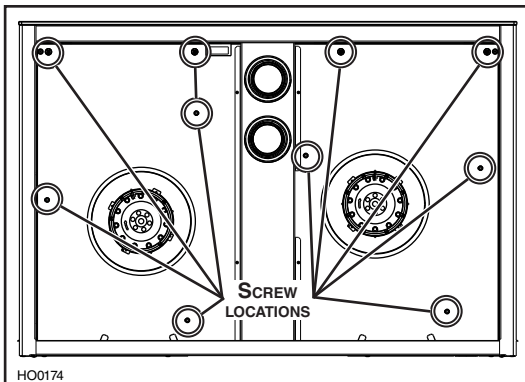
3. PREPARE THE HOOD

- 3.1** Lay the hood on a table. Use a piece of cardboard to avoid damaging the table or the hood. Remove tape on filters. Lift filters by pushing them towards the back and rotate, then set the filters aside.

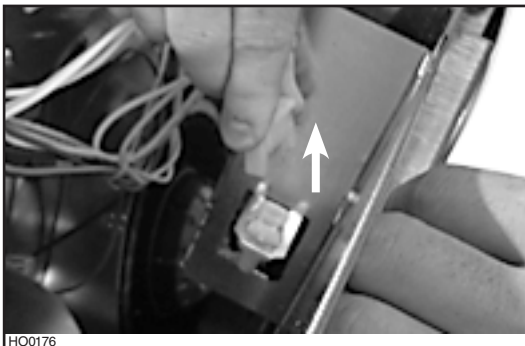


- 3.2** Remove the bottom panel 10 retaining screws and set aside.

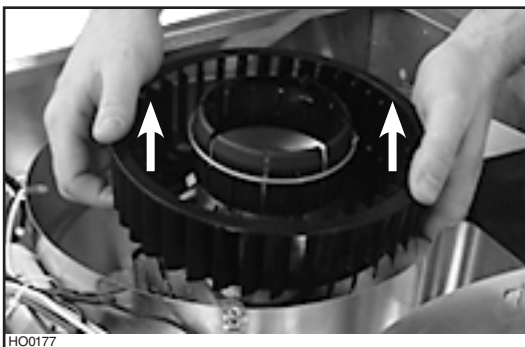
NOTE: Both light assemblies will have to be disconnected in order to remove the bottom panel (see following step).



- 3.3** Slightly pull the bottom panel out. Press on tabs and pull to disconnect both light assemblies electrical harnesses from light connectors. Slide bottom panel out and set aside.



- 3.4** Using both hands, gently pull on each blower wheel to remove. Set both blower wheels aside.



4. INSTALL GLASS PANEL (WG MODELS ONLY)

The WG hood models decorative glass panel is sold separately and has to be installed before completing the hood installation.

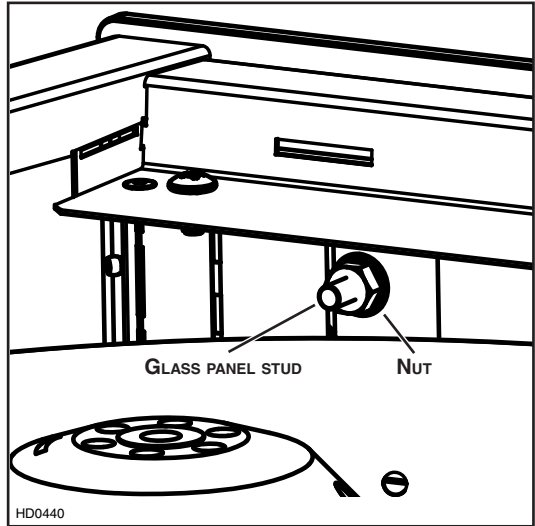
4.1 Remove glass panel from its packaging.

Remove glass panel nuts (factory installed) from both studs and set aside.

4.2 Insert glass panel studs in hood front holes.

4.3 While holding glass panel, pre-tighten previously removed nuts by hand. Ensure glass panel is flush with top of hood and centered from side-to-side.

Then, using a 3/8" socket, tighten nuts completely.

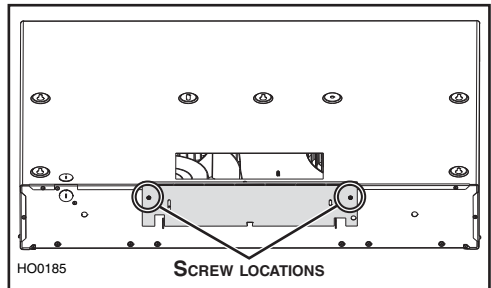


5. INSTALL THE ADAPTER/DAMPER (ALL MODELS)

The wall duct must be roughed-in to properly interface with the hood. Before performing the installation, make sure the adapter fits easily in the duct. If this hood replaces an existing hood, please note that location of the air exhaust can vary from one manufacturer to another.

FOR HORIZONTAL DISCHARGE ONLY:

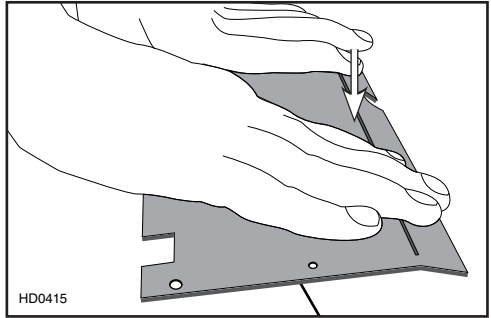
Turn the hood over and remove the metal shutoff plate from the back of the hood, by removing both retaining screws. Set screws aside.



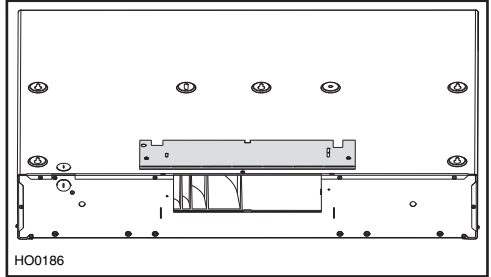
5. INSTALL THE ADAPTER/DAMPER (ALL MODELS) (CONT'D)

FOR HORIZONTAL DISCHARGE ONLY (CONT'D):

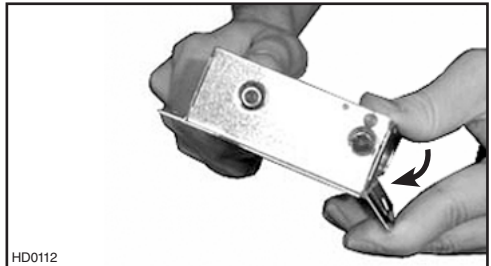
Press the metal shutoff plate on a flat surface to completely flatten bent flange.



Using both screws previously removed, install the metal shutoff plate on top of the hood.



Fold down the foldable flange of the adapter/damper. This flange must be at 90° from the remaining flanges. See picture beside.



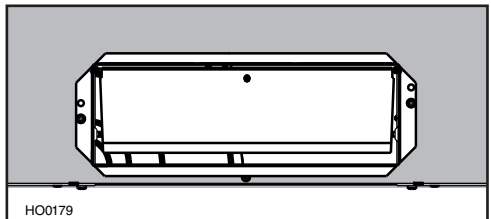
Using two no. 6 x 1/2" screws provided, secure the adapter/damper to the back of the hood. Remove tape from damper flap.



Seal the adapter/damper to the hood using metal foil duct tape.

FOR VERTICAL DISCHARGE ONLY:

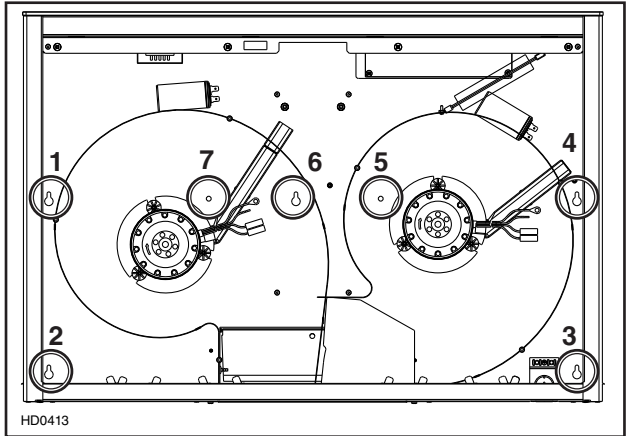
Using two no. 6 x 1/2" screws provided, secure the adapter/damper to the top of the hood. Remove tape from damper flap.



Seal the adapter/damper to the hood using metal foil duct tape.

6. INSTALL THE HOOD

- 6.1 Run power cable to installation location. Position the hood in its intended location. Using a pen, mark the position of the screws (as shown at right). Remove the hood.



- 6.2 Install the first four no. 8 x 1/2" screws, leaving a 1/8" gap (do not install screws nos. 5, 6 and 7 yet).
- 6.3 Install the wire clamp and insert the power cable in the hood. Place the hood under the cabinet, slide it in position and tighten the wire clamp to secure the cable. Make sure the adapter/damper enters the duct opening. Tighten the first 4 screws completely, then add the last screws (screws nos. 5, 6 and 7) in the center holes. Make sure the damper flap opens freely.

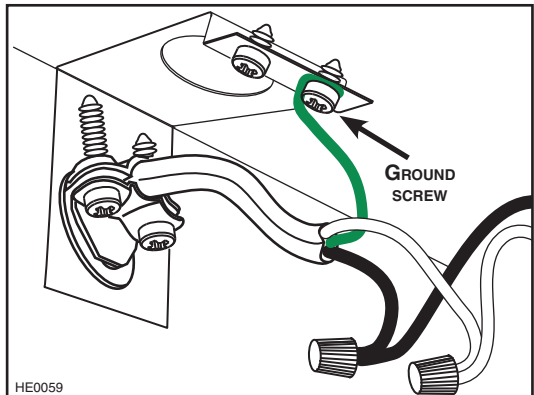
7. CONNECT WIRING

⚠ WARNING

Risk of electric shock. Electrical wiring must be done by qualified personnel in accordance with all applicable codes and standards. Before connecting wires, switch power off at service panel and lock service disconnecting means to prevent power to be switched on accidentally.

Connect cable to range hood wiring using included wire connectors.

Connect BLACK to BLACK, WHITE to WHITE and GREEN or BARE WIRE to GREEN ground screw. **DO NOT FORGET TO CONNECT THE GROUND.**



CAUTION

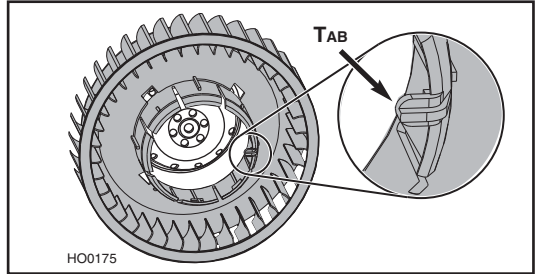
After a power failure or during the range hood power up, a 5-second booting sequence is executed. Wait for the control backlighting to turn off before use.

8. REINSTALL BLOWER WHEELS AND BOTTOM PANEL

CAUTION

When reinstalling the blower wheels, make sure the small tab will fit into one hole of the motors.

- 8.1 Reinstall blower wheels: Using both hands gently push on each blower wheel until secured.



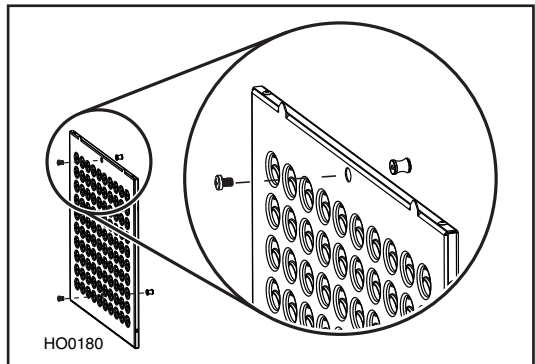
- 8.2 Insert bottom panel in the back of the hood.
8.3 Reconnect each light assembly electrical harness to its light connector.
8.4 Secure bottom panel to the hood, using the 10 screws previously removed in step 3.2.

9. REINSTALL BAFFLE FILTERS

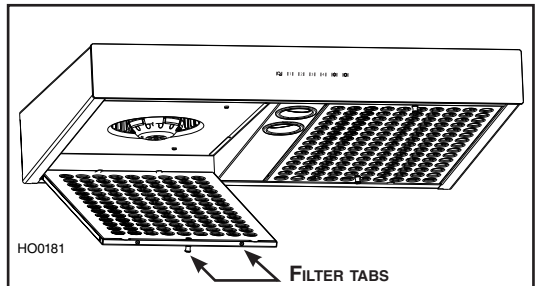
CAUTION

Remove protective plastic film covering filters before reinstalling them.

- 9.1 Using a Phillips no. 2 screwdriver, assemble two knobs to each filter. The screws MUST BE on filter tabs side (as illustrated at right).



- 9.2 Rest rear filters edge on filter springs in the range hood. Using knob, tilt up the filters into position. Make sure filter tabs are securely engaged in range hood front edge slots after installation.



10. LIGHT BULBS

This range hood requires two 120 V, 50 W max., type MR16 with GU10 base, shielded halogen bulbs (included).

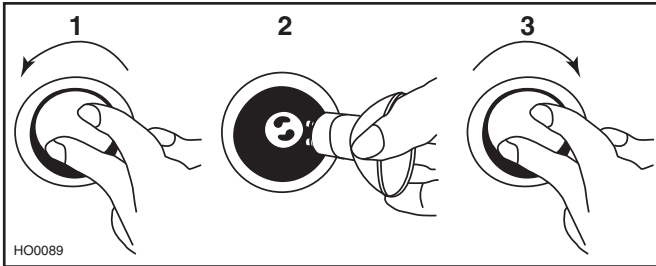
WARNING

Do not touch lamps during or soon after operation. Burns may occur. In order to prevent the risk of personal injury, only install shielded halogen lamps. Also, never install a cool beam, a dichroic lamp, a lamp not suitable for use in recessed luminaires or identified for use in enclosed fixtures.

To replace bulbs:

1. Gently push upward and turn counterclockwise to disengage bulb leads from their grooves.
2. Place the new bulb leads into their grooves in the socket.
3. Gently push upward and turn clockwise until secured.

NOTE: If need be, use a rubber dishwashing glove to add grip when removing the bulb.



11. CARE

WARNING

Before servicing or cleaning the unit, switch power off at service panel and lock service panel to prevent power from being switched on accidentally. When the service disconnecting means cannot be locked, securely fasten a prominent warning device, such as a tag, to the service panel.

BAFFLE FILTERS AND BOTTOM PANEL

The baffle filters and the bottom panel should be cleaned frequently. Use a warm detergent solution. Remove baffle filters by pushing them towards the back of hood and rotating downward.

Clean all-metal filters in the dishwasher using a non-phosphate detergent. Discoloration of the filter may occur if using phosphate detergents, or as a result of local water conditions — but this will not affect filter performance. This discoloration is not covered by the warranty.

STAINLESS STEEL

Do:

- Regularly wash with clean cloth or rag soaked with warm water and mild soap or liquid dish detergent.
- Always clean in the direction of original polish lines.
- Always rinse well with clear water (2 or 3 times) after cleaning. Wipe dry completely.
- You may also use a specialized household stainless steel cleaner.

Don't:

- Use any steel or stainless steel wool or any other scrapers to remove stubborn dirt.
- Use any harsh or abrasive cleansers.
- Allow dirt to accumulate.
- Let plaster dust or any other construction residues reach the hood. During construction/renovation, cover the hood to make sure no dust sticks to stainless steel surface.

11. CARE (CONT'D)

GLASS PANEL

Hot water with mild soap or glass cleaner is all that is usually needed.

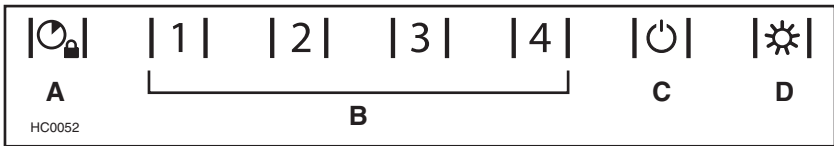
When using mild soap, rinse with clear water. Wipe dry with a clean, soft cloth to avoid water marks.

Avoid when choosing a detergent:

- Any cleaners that contain **bleach** will attack stainless steel.
- Any products containing: **chloride, fluoride, iodide, bromide** will deteriorate surfaces rapidly.
- Any combustible products used for cleaning such as **acetone, alcohol, ether, benzol**, etc., are highly explosive and should never be used close to a range.

12. OPERATION

Always turn your hood on before you begin cooking to establish an air flow in the kitchen. Let the blower run for a few minutes to clear the air after you turn off the range.



A. DELAY BUTTON/CONTROL LOCK (DOUBLE FUNCTION BUTTON):

- When a blower speed is selected, press this button to activate the delay function. The delay button will light to its high intensity, then to its mid intensity to indicate this function is activated; the selected blower speed button will alternate every 2 seconds from its high intensity to its mid intensity. The blower will continue to operate for 5 minutes and will stop automatically. Selecting another speed while the delay function is activated will not deactivate the function or reset the timer. To cancel the delay function, press the delay button once again or the selected speed button which last case will also turn the blower off.
- When blower is off, it is possible to lock the control interface in order to clean the glass panel.
To lock the control interface: Press and hold the button for 3 seconds. The button will light to its high intensity and flash three times, it will then stay on its mid intensity to indicate that the control interface is locked.
To unlock the control interface: Press and hold the button for 3 seconds. The button will light to its high intensity and flash 3 times, it will then fade out to its low intensity to indicate that the control interface is unlocked.

B. SPEED SELECTION BUTTONS:

Press the button corresponding to the desired blower speed (from **1** for low speed to **4** for high speed). The chosen speed button will light to its high intensity then fade to its mid intensity. To turn off the blower, press once more on the corresponding blower speed button; the button light will fade to its low intensity.

NOTE: When blower is off, pressing on blower speed **1** button will cause the blower to start on second speed for a very short lapse of time, and then resume on speed **1**.

12. OPERATION (CONT'D)

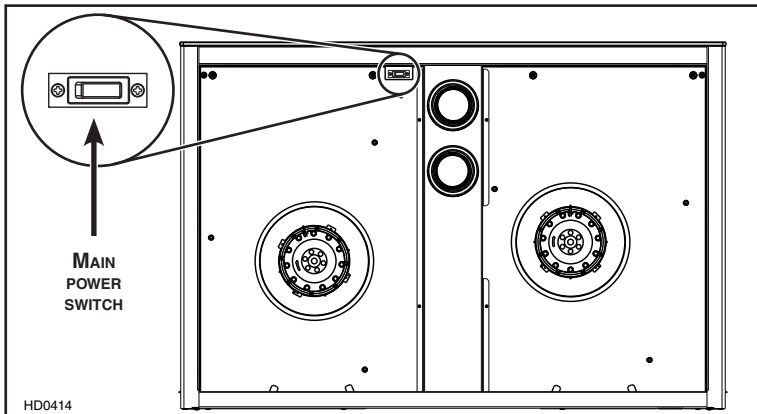
C. MASTER ON/OFF:

When blower and lights are off, press this button to turn the hood on to the last memorized speed level and light intensity. If there are no memorized speed level and light intensity, speed will be set at level **1** and light intensity at **4**. To turn off the blower and the light simultaneously, press this button once.

HEAT SENTRY™: The hood is equipped with a HEAT SENTRY thermostat. If blower is ON at a lower speed setting and excessive heat is detected above the cooking surface, it turns the blower up to third speed. When the temperature level drops to normal, the blower will return to its original setting. If blower is OFF and excessive heat is detected above the cooking surface, HEAT SENTRY will turn the blower to HIGH speed. When the temperature level drops to normal, the blower turns back OFF.

WARNING

The HEAT SENTRY can start the blower during a range top fire or other excessive heat situations even if the hood is turned off. In this case, it is impossible to turn the blower OFF using control panel buttons. To stop the blower, set the main power switch located behind the baffle filters in OFF position, if it is possible to do safely. See illustration below.



D. LIGHT BUTTON/BACKLIGHTING COLOR (DOUBLE FUNCTION BUTTON):

- i. This button allows four different lighting levels according to your needs. Press once for full intensity, twice for intensity level **3**, three times for intensity level **2** and once more for nightlight. To turn off the lights, press once more.

If desired, when the lights are on, press and maintain the light button for 1 second; lights will be turned off and the light level in use will be memorized.

NOTE: When only lights are ON to any intensity and no interaction with the hood is detected for a 10-second period, the 7 buttons backlighting will fade to its low intensity, acting as a night light feature.

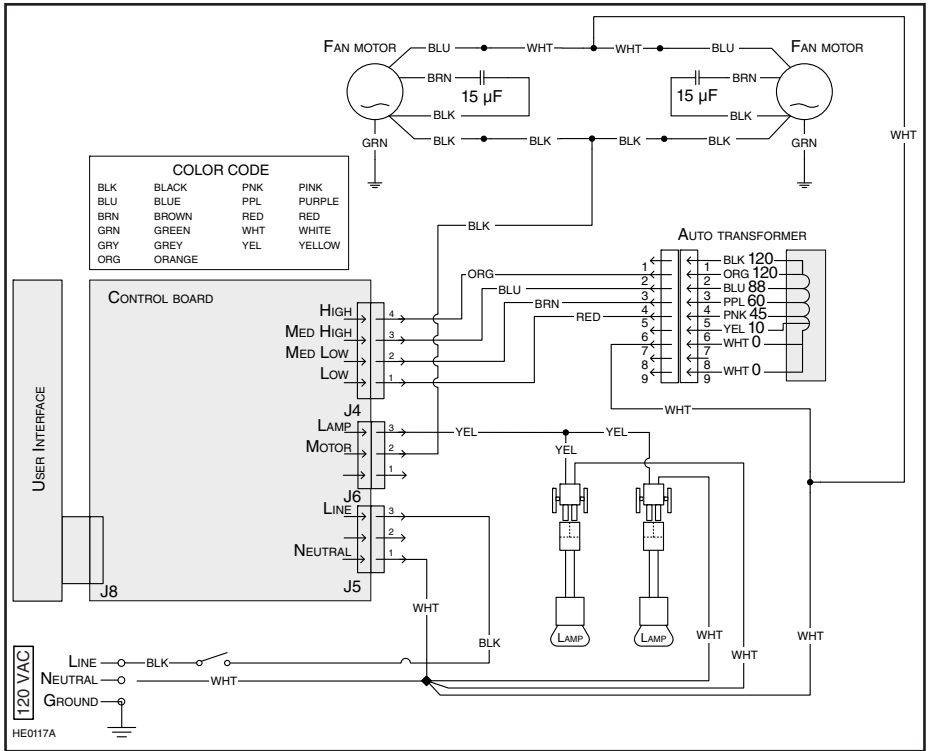
- ii. When lights are off, pressing and holding this button for 2 seconds will switch the backlighting color from white to blue or from blue to white (default backlighting color is white) and memorize it. The button will flash three times to indicate that the color change has been made.

NOTE: Due to the particular sensitivity of the control interface, keep the glass panel clean as dirt and condensation may cause erratic operation of the hood blower and/or lighting. If this situation occurs, wipe the glass panel and wait 90 seconds. Then, adjust the blower and/or lighting at your convenience.

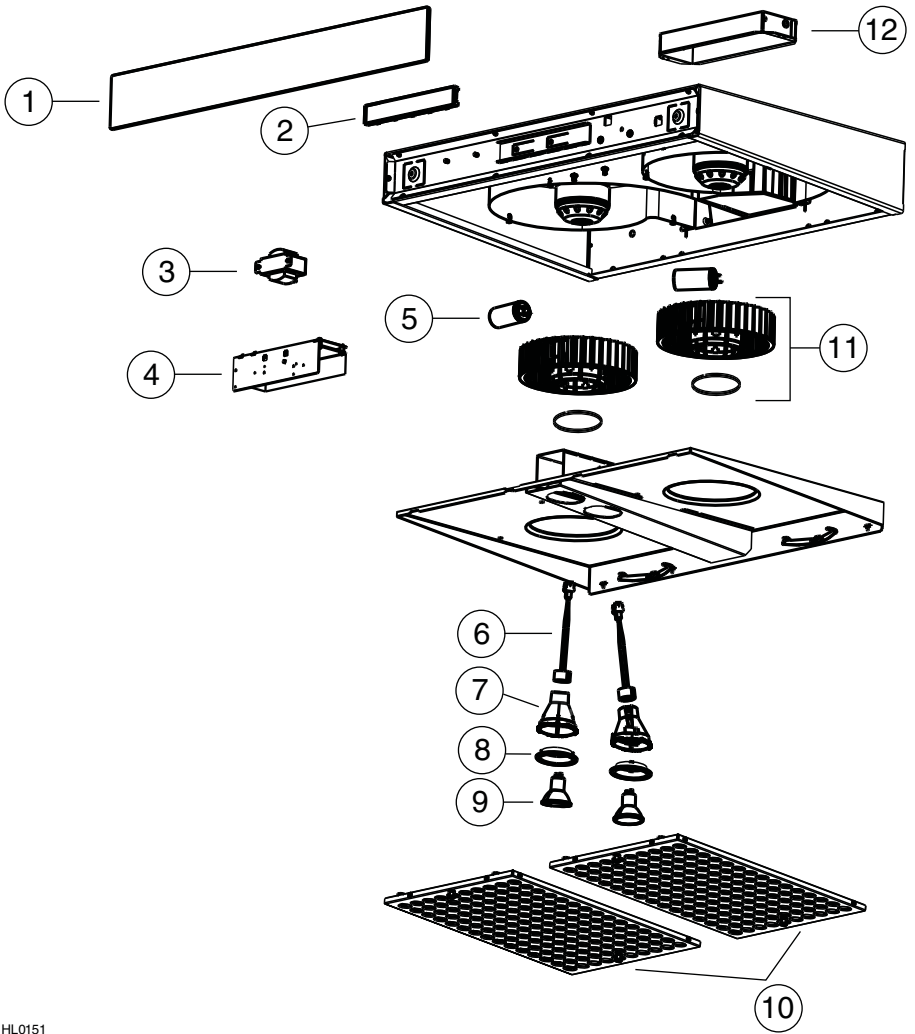
13. WIRING DIAGRAM

⚠ WARNING

Risk of electric shock. Electrical wiring must be done by qualified personnel in accordance with all applicable codes and standards. Before connecting wires, switch power off at service panel and lock service disconnecting means to prevent power from being switched on accidentally.



14. SERVICE PARTS



HL0151

14. SERVICE PARTS (CONT'D)

KEY NO.	PART NO.	DESCRIPTION	WIDTHS	
			30"	36"
1	*	GLASS PANEL	1	1
2	SV09550	ELECTRONIC CONTROL	1	1
3	SV07039	TRANSFORMER	1	1
4	SV09551	POWER UNIT	1	1
5	SV02160	CAPACITOR	2	2
6	SV05917	SOCKET	2	2
7	SV09435	SOCKET HOLDER	2	2
8	SV09434	LIGHT TRIM	2	2
9	SV05921	SHIELDED HALOGEN BULB 120 V, 50 W, GU10	2	2
10	SV19098	BAFFLE FILTERS 12.16" x 18.335" (KNOBS AND SCREWS INCLUDED)	2	-
	SV19101	BAFFLE FILTERS 15.16" x 18.335" (KNOBS AND SCREWS INCLUDED)	-	2
11	SV01988	BLOWER WHEEL + SPRING CLIP	2	2
12	SV13296	ADAPTER/DAMPER	1	1
**	SV08967	KNOBS AND SCREWS KIT (2 KNOBS AND SCREWS PER KIT)	2	2
**	SV09627	INSTALLATION MANUAL	1	1
**	SV06751	HARDWARE BAG: 2 WIRE CONNECTORS, 1 WIRE CLAMP, 7 NO. 6 x 1/2" SCREWS, 5 NO. 8 x 1/2" SCREWS	1	1

*PART NUMBER ACCORDING TO GLASS PANEL COLOR (PLEASE CONTACT CUSTOMER SERVICE).

**ITEM NOT SHOWN.

REPLACEMENT PARTS AND REPAIRS

In order to ensure your unit remains in good working condition, you must use Venmar Ventilation Inc. genuine replacement parts only. Venmar Ventilation Inc. genuine replacement parts are specially designed for each unit and are manufactured to comply with all the applicable certification standards and maintain a high standard of safety. Any third party replacement part used may cause serious damage and drastically reduce the performance level of your unit, which will result in premature failing. Venmar Ventilation Inc. recommends to contact a certified service depot for all replacement parts and repairs.

15. WARRANTY

VENMAR VENTILATION FIVE-YEAR WARRANTY

Venmar Ventilation inc. warrants to the original consumer purchaser of the Venmar Connaissance C700 Series range hood that such product will be free from defects in materials or workmanship for a period of five (5) years from date of original purchase. This warranty includes in-home service for the first year and workshop service for the four (4) remaining years.

THERE ARE NO OTHER WARRANTIES, EXPRESS OR IMPLIED, INCLUDING, BUT NOT LIMITED TO, IMPLIED WARRANTIES OF MERCHANTABILITY OR FITNESS FOR A PARTICULAR PURPOSE. VENMAR VENTILATION INC. WILL NOT BE HELD RESPONSIBLE FOR ANY CLAIMS OVER THE ORIGINAL PURCHASE PRICE OF A VENMAR CONNAISSEUR C700 SERIES RANGE HOOD NOR HELD RESPONSIBLE FOR SUBSEQUENT DAMAGE OR INCIDENT.

During the period stated above, Venmar Ventilation Inc. will, at its option, repair or replace without charge any product or part which is found to be defective under normal use and service. THIS WARRANTY DOES NOT EXTEND TO BULBS, FUSE, FILTERS, DUCTS, ROOF CAPS, WALL CAPS AND OTHER ACCESSORIES FOR DUCTING.

This warranty does not cover a) normal maintenance and service b) any products or parts which have been subject to misuse, negligence, accident, improper maintenance or repairs made by other than Venmar Ventilation Inc., or c) a faulty installation or installation contrary to recommended installation instructions.

Warranty service is to be completed by an authorized Service Center designated by Venmar Ventilation Inc. Where applicable, in-home service will be made available only in areas where a contracted service provider offers service. If in-home service is not available, the product will be repaired or replaced, at Venmar Ventilation Inc.'s discretion, by the nearest authorized service provider. The unit removal and reinstallation works are under the customer responsibility, and Venmar Ventilation Inc. cannot be charged for them.

The duration of any implied warranty is limited to the 5-year period as specified for the express warranty. Some provinces do not allow limitation on how long an implied warranty lasts, so the above limitation may not apply to you.

VENMAR VENTILATION INC'S OBLIGATION TO REPAIR OR REPLACE AT VENMAR VENTILATION INC'S OPTION, SHALL BE THE PURCHASER'S SOLE AND EXCLUSIVE REMEDY UNDER THIS WARRANTY. VENMAR VENTILATION INC SHALL NOT BE LIABLE FOR INCIDENTAL, CONSEQUENTIAL OR SPECIAL DAMAGES ARISING OUT OF OR IN CONNECTION WITH PRODUCT USE OR PERFORMANCE. SOME PROVINCES DO NOT ALLOW THE EXCLUSION OR LIMITATION OF INCIDENTAL OR CONSEQUENTIAL DAMAGES, SO THE ABOVE LIMITATION OR EXCLUSION MAY NOT APPLY TO YOU.

This warranty gives you specific legal rights and you may also have other rights, which vary from province to another. This warranty supersedes all prior warranties.

To contact Venmar Ventilation Inc. warranty service, call 1-800-567-3855 in Canada. In order to qualify for a warranty claim, the owner of a Venmar Connaissance C700 Series range hood must have the model and serial number along with a proof of the original purchase date. At the time of requesting service, describe the nature of any defect in the product or part.

Venmar Ventilation Inc., 550 Lemire Blvd., Drummondville, QC J2C 7W9 (1-800-567-3855)

www.venmar.ca www.ispira.ca