



## VENMAR AVS CR12 HRV

Part no. CR12HRV

66 to 129 CFM (0.4 in. w.g.)



VB0252

### VERSATILE AND DESIGNED WITH THE INSTALLER IN MIND

The CR12 HRV was created to respond to the builder's and contractor's needs for new residential construction and regulatory requirements. While reliable and durable, it is a cost-effective solution that can be installed quickly and easily in medium to large-sized homes, thanks to these features:

- Heat recovery core with a sensible recovery efficiency of 75% at 0°C
- Pressure taps, balancing dampers and integrated hooks for quick, effective installation
- Integrated "snap-in" drain system installed in seconds with no additional parts
- Magnetic backdraft damper in the fresh air from outside and the exhaust air from building ports.
- Reversible for greater installation flexibility
- 6' power cord
- Very quiet operation
- ENERGY STAR® qualified

### REPAIRS AND MAINTENANCE

All parts of the CR12 HRV can be removed in less than five minutes, allowing direct access for easy repairs. The low power consumption motor is permanently lubricated. Finally, the electronic circuit board eliminates electromechanical parts, reducing repair time to a minimum.

### WARRANTY

The CR12 HRV is protected by a 5-year warranty on parts. The heat recovery core is covered by a lifetime warranty, with the original proof of purchase.

Available at:

## HEAT RECOVERY VENTILATOR

### Controls

- Operating this unit is simple ! Once installed, press on the push-button (on the front of the electrical box): 1st click start at low speed, 2nd accelerate to high and 3rd, stop it.
- For more convenience, this unit can also be controlled by an optional main control. For a complete list of optional main and auxiliary controls available, refer to the **Wall Control Compatibility Chart** on last pages of wall controls specification sheet, available at [www.venmar.ca](http://www.venmar.ca).
- For more details about controls, refer to the **Main and auxiliary wall controls** user guide, also available at [www.venmar.ca](http://www.venmar.ca).

### Options

- MERV 8 filters (part no. V65683)
- Complete line of registers and diffusers
- Compatible with the Tandem transition (see *Ventilation Performance* section)

### Defrost Cycles (exhaust only defrost)

- Choice of regular or extended defrost cycles, according to climatic conditions.
- To set extended defrost cycle, refer to the manual.

LOW SPEED DEFROST CYCLES			
OUTDOOR TEMPERATURE*		DEFROST IN MINUTES / AIR EXCHANGE IN MINUTES	
°C	°F	REGULAR	EXTENDED
WARMER THAN -5	WARMER THAN 23	NO DEFROST	NO DEFROST
FROM -5 TO -15	FROM 23 TO 5	10/50	12/35
FROM -15 TO -27	FROM 5 TO -17	10/32	12/20
-27 AND LESS	-17 AND LESS	10/20	12/15

HIGH SPEED DEFROST CYCLES			
OUTDOOR TEMPERATURE*		DEFROST IN MINUTES / AIR EXCHANGE IN MINUTES	
°C	°F	REGULAR	EXTENDED
WARMER THAN -5	WARMER THAN 23	NO DEFROST	NO DEFROST
FROM -5 TO -15	FROM 23 TO 5	12/40	12/30
FROM -15 TO -27	FROM 5 TO -17	12/25	12/20
-27 AND LESS	-17 AND LESS	12/15	12/12

\*Outdoor temperature is read by a thermistor located inside the unit, next to the fresh air to building port.

### Heat Recovery Core

Dimensions: 12" x 12" x 12" (30.5 cm x 30.5 cm x 30.5 cm)

Material: Polypropylene

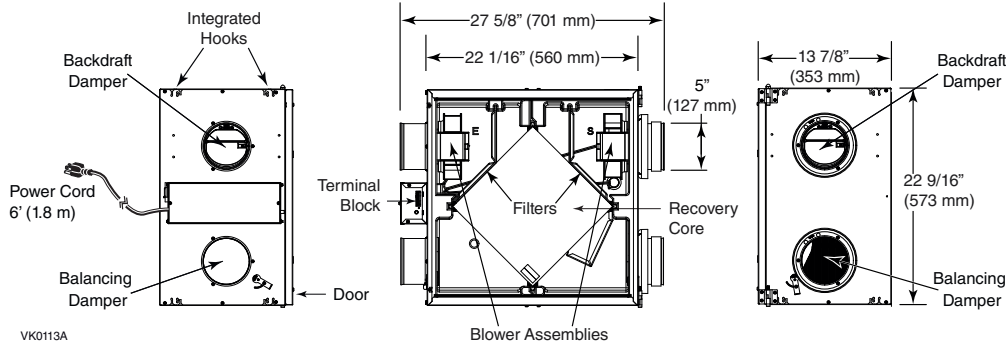
Type: Crossflow core

Warranty: Limited Lifetime

### Requirements and Standards

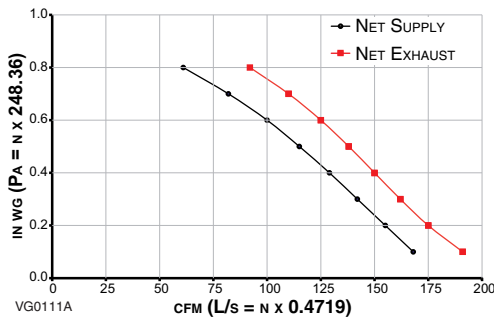
- Complies with the UL 1812 requirements regulating the installation of Heat Recovery Ventilators
- Complies with the CSA C22.2 no. 113 Standard applicable to ventilators  
Complies with CSA F326 requirements regulating the installation of Heat Recovery Ventilators
- Technical data was obtained from published results of tests relating to CSA C439 Standards
- HVI certified and ENERGY STAR® qualified

# DIMENSIONS: CR12 HRV



## VENTILATION PERFORMANCE

EXTERNAL STATIC PRESSURE		NET SUPPLY AIR FLOW		GROSS AIR FLOW			
PA	IN. W.G.	L/S	CFM	SUPPLY		EXHAUST	
				L/S	CFM	L/S	CFM
25	0.1	79	167	79	167	90	191
50	0.2	73	155	73	155	83	176
75	0.3	67	142	67	142	76	161
100	0.4	61	129	61	129	71	150
125	0.5	54	115	54	115	65	138
150	0.6	47	100	47	100	59	125
175	0.7	39	82	39	83	52	110
200	0.8	29	61	29	61	44	93

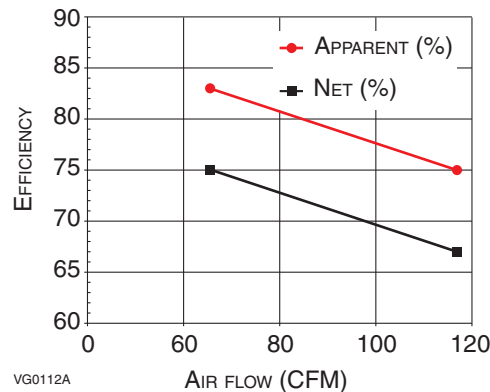


NOTES: Account for an increase in static pressure of approximately 0.2 in. w.g. when installed with the Tandem transition, depending on installation. All specifications are subject to change without notice.

## ENERGY PERFORMANCE

SUPPLY TEMPERATURE		NET AIR FLOW		POWER CONSUMED WATTS	SENSIBLE RECOVERY EFFICIENCY	ADJUSTED SENSIBLE RECOVERY EFFICIENCY	APPARENT SENSIBLE EFFECTIVENESS*
°C	°F	L/S	CFM				
HEATING							
0	32	30	64	64	75	82	83
0	32	55	117	122	67	74	75
-25	-13	30	64	57	60	63	87

\* Data not certified by HVI.



## SPECIFICATIONS AND RATINGS

- Model: CR12 HRV
- Part Number: CR12HRV
- Total Assembled Weight (incl core): 40.5 lb (18 kg)
- Shipping weight: 47 lb (21.5 kg)
- Drains: 1/2" (1.2 cm) fittings with 10 ft. (3 m) PVC drain hose
- Filters: Merv 6 washable reticulated foam 12" x 12" x 0.5" (30.5 cm x 30.5 cm x 1.3 cm)
- 5" Round Ports
- Housing: Pre-painted steel
- Insulation: Expanded polystyrene
- Mounting: Suspension by chains
- Supply & Exhaust Blower Motors: 2 PSC Motors
  - Protection type: Thermally protected
  - Insulation class: B
- Integrated Control : OFF/Low/High. Other modes available with optional main wall controls.
- Heat Recovery Core:
  - Type: Crossflow
  - Material: Polypropylene
- Unit Electrical Characteristics: 120 volts, 60 Hz, 1.2 amps, 144 watts

Project:	REMARKS
Location:	
Part Number: CR12HRV	
Quantity:	
Submitted by: _____ Date: _____	



Residential Products Group, 550 Lemire Blvd., Drummondville, Qc, Canada J2C 7W9 - Tel: 1-800-567-3855 Fax: 1-800-567-1715



www.venmar.ca

CR12HRVd19\_11