

Classic and elegant. This model is sure to win over even the most demanding users with its innovative design, advanced technology, and unmatched performance.

SIZE	STAINLESS	GREASE FILTERS (replacement)	NON-DUCTED FILTERS
30 in.	VBNLB130SS	HPFA430 Type "C5"	HPF30 Type "Xc"

HVI PERFORMANCE									
Duct Orientation	Size	Damper	Sones			CFM			
			Normal	Medium*	High	Normal	Medium*	High 0.25 in. w.g.	High 0.1 in. w.g.
Vertical - Rectangular	3¼ in. x 10 in.	Included	<0.3	3.0	8.0	130	270	410	460
Horizontal - Rectangular	3¼ in. x 10 in.	Included	<0.3	3.0	7.5	130	290	470	510
Vertical - Rectangular	3¼ in. x 14 in.	Included	<0.3	3.0	8.0	140	300	470	520
Horizontal - Rectangular	3¼ in. x 14 in.	Included	<0.3	3.0	7.5	130	340	545	590
Round - Vertical	7 in.	Sold Separately	<0.3	3.0	7.5	140	280	415	470

FEATURES	
Control type	3-speed Pushbutton with LCD
Delay off	yes
Filter Clean Reminder	yes
Heat Sentry™	yes
ADA Capable	yes
Lighting	3-level LED (included)
Grease Filters	Hybrid Baffle (Qty. 2)
Installation Hardware	EZ1 brackets
ENERGY STAR®	no
Recirculation	Non-ducted filters sold separately

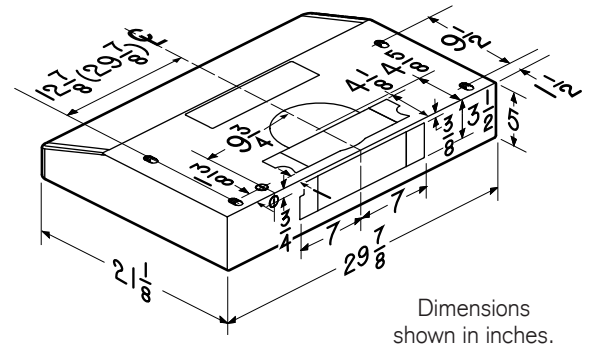
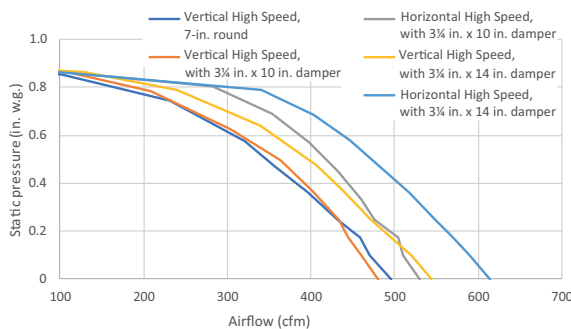
AC INPUT	
120 V, 60 Hz - 1.9 AMPS	

OPTIONAL ACCESSORIES	
7-in. Round Damper	BP87Q
7-in. Round Apapter Plate	SR680508
ADA Wiring Kit	HAWRK3
Make-up Air Damper	MD6TU / MD8TU / MD10TU

MOUNTING HEIGHT	
24 in. to 30 in. from cooktop to bottom of hood	

LIMITED WARRANTY	
1-year	
3-year (LED modules only)	
See installation manual for full warranty text.	

FOR INDOOR USE ONLY



SPECIFICATION SHEET
VBNLB1 SERIES



HVI-2100 CERTIFIED RATINGS comply with new testing technologies and procedures prescribed by the Home Ventilating Institute, for off-the-shelf products, as they are available to consumers. Product performance is rated at 0.1 and 0.25 in. static pressure at high speed based on tests conducted in an HVI-approved state-of-the-art test laboratory. Sones are a measure of humanly-perceived loudness, based on laboratory measurements.

* Where noted performance rating is not HVI certified but was established in accordance with HVI Standardized test procedure.

Classique et élégant. Ce modèle charme les plus exigeants par son design innovant, sa technologie de pointe et sa performance supérieure.

LARGEUR	INOX	FILTRES À GRAISSES (remplacement)	FILTRES DE RECIRCULATION
30 po	VBNLB130SS	HPFA430 Type "C5"	HPF30 Type "Xc"

RENDEMENT HVI									
Orientation du conduit	Largeur	Volet	Sones			pi ³ /min			
			Normale	Moyenne*	Haute	Normale	Moyenne*	Haute 0,25 po d'eau	Haute 0,1 po d'eau
Rectangulaire vertical	3¼ po x 10 po	inclus	<0,3	3,0	8,0	130	270	410	460
Rectangulaire horizontal	3¼ po x 10 po	inclus	<0,3	3,0	7,5	130	290	470	510
Rectangulaire vertical	3¼ po x 14 po	inclus	<0,3	3,0	8,0	140	300	470	520
Rectangulaire horizontal	3¼ po x 14 po	inclus	<0,3	3,0	7,5	130	340	545	590
Rond vertical	7 po	vendu séparément	<0,3	3,0	7,5	140	280	415	470

CARACTÉRISTIQUES	
Type de commande	Boutons-poussoirs à 3 vitesses avec écran ACL
Arrêt différé	oui
Rappel d'entretien des filtres	oui
Détecteur Heat Sentry ^{MC}	oui
Capacité ADA	oui
Éclairage	DEL à 3 intensités (inclus)
Filtres à graisses	Hybrides / à déflecteur (qté 2)
Matériel pour l'installation	Supports EZ1
ENERGY STAR [®]	non
Recirculation	Filtres de recirculation vendus séparément

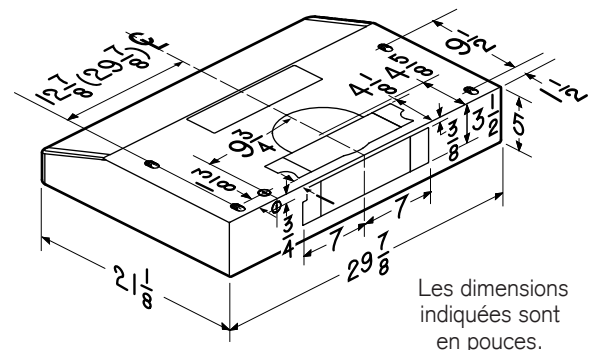
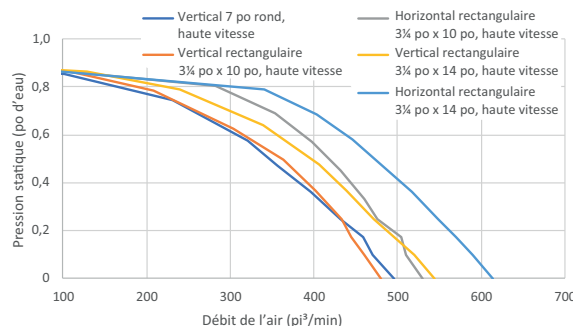
ALIMENTATION CA	
120 V, 60 Hz - 1,9 A	

ACCESSOIRES OPTIONNELS	
Volet rond de 7 po	BP87Q
Plaque pour conduit rond 7 po	SR680508
Ensemble de câblage ADA	HAWRK3
Dispositif d'apport d'air	MD6TU / MD8TU / MD10TU

HAUTEUR DE MONTAGE	
De 24 po à 30 po au-dessus de la surface de cuisson	

GARANTIE LIMITÉE	
1 an, 3 ans (modules DEL seulement)	
Voir le manuel d'installation pour le texte complet de la garantie.	

POUR UTILISATION À L'INTÉRIEUR SEULEMENT



Les dimensions indiquées sont en pouces.