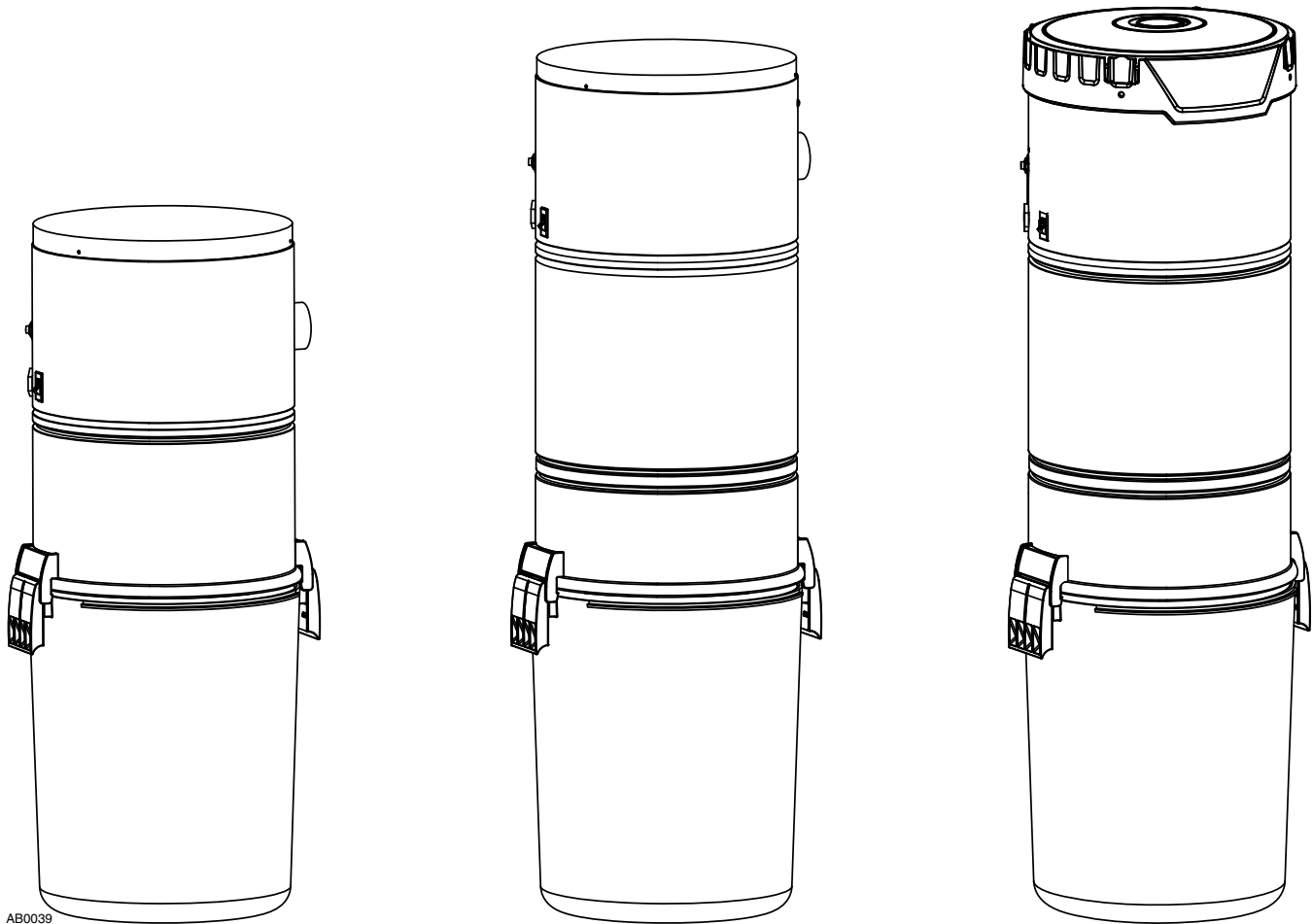


CENTRAL VACUUM POWER UNITS

⚠ FOR RESIDENTIAL USE ONLY ⚠

550VF1 / 650VF1 / 700VF1



AB0039

MODELS SFDB-DK, SFDB-DL AND SFDB-DM

VENMAR VENTILATION ULC WWW.VENMAR.CA 1-877-896-1119



REGISTER YOUR PRODUCT ONLINE AT: WWW.VENMAR.CA

IMPORTANT SAFETY INSTRUCTIONS

**SAVE THESE INSTRUCTIONS
READ ALL INSTRUCTIONS BEFORE USING THIS APPLIANCE**

When using an electrical appliance, basic precautions should always be followed, including the following:

WARNING ⚠

To reduce the risk of fire, electric shock or injury:

1. Do not use on wet surfaces or outdoors.
2. Do not vacuum liquids or fine powders (such as drywall dust).
3. Do not use to pick up flammable or combustible liquids such as gasoline or use in areas where they may be present.
4. Do not pick up anything that is burning or smoking, such as cigarettes, matches, or hot ashes.
5. Do not allow to be used as a toy. Close attention is necessary when used by or near children.
6. Use only as described in this manual. Use only manufacturer's recommended attachments.
7. Keep hair, loose clothing, fingers and all parts of body away from openings and moving parts.
8. Turn off all controls before unplugging.
9. Use extra care when cleaning on stairs.
10. Do not handle plug or appliance with wet hands.
11. Do not use with damaged cord or plug. If appliance is not working as it should, if it has been dropped, damaged, left outdoors, or dropped into water, return it to a Service Center.
12. Keep your work area well lighted.
13. Connect to a properly grounded outlet only. See grounding instructions shown on page 9.
14. When performing installation, servicing or cleaning the unit, it is recommended to wear safety glasses and gloves.
15. When applicable local regulations comprise more restrictive installation and/or certification requirements, the aforementioned requirements prevail on those of this document and the installer agrees to conform to these at his own expenses.

CAUTION

1. Do not put any object into openings. Do not use with any opening blocked; keep free of dust, lint, hair and anything that may reduce air flow.
2. Ensure air flows freely and exhausts unobstructed from top or side outlet.
3. Do not use without filter (or filters, according to the model) in place.
4. Do not use to blow leaves or debris.
5. Do not place any object on top of the unit.
6. Do not install the unit horizontally.
7. Do not use the pail as a wash bucket.
8. Do not use the pail as a stool.
9. Avoid picking up sharp objects.
10. This appliance is for use on a standard 120 VAC, dedicated 15-amp branch circuit. Some brands of house panel breakers may be more sensitive to startup current than others (for example, Square D brand). In the event where nuisance tripping of the house panel breaker occurs*, we recommend changing the breaker with an "HM" type of the same AMP rating.
* after ensuring that the circuit is DEDICATED to the central vacuum unit, meaning that there is no other electrical device connected to the central vacuum unit circuit.
11. Do not unplug the unit by pulling on cord. To unplug, grasp the plug, not the cord.
12. Store your vacuum cleaner indoors in a clean, dry area, and away from extreme temperatures.
13. Any servicing other than that recommended in this manual should be performed by an authorized service facility.
14. We recommend that your unit be inspected by a specialized technician once a year.

TABLE OF CONTENTS

GENERAL INFORMATION	3	OPERATION AND MAINTENANCE . . .	10-11
TOOL LISTING	3	WHEN TO CHANGE BAG OR EMPTY DEBRIS PAIL	10
WORKING WITH PLASTIC TUBING.	3	HOW TO EMPTY DEBRIS PAIL	
WALL INLET INSTALLATION	3	(650VF1 AND 700VF1 POWER UNITS ONLY)	10
V800W CANSWEEP®		DISPOSABLE BAG REPLACEMENT	
UNDER CABINET INSTALLATION	4-5	(550VF1 POWER UNIT ONLY)	10
V800W CANSWEEP®		PERMANENT FILTER	
BASEBOARD WALL INSTALLATION	6	(650VF1 AND 700VF1 POWER UNITS ONLY)	10
POWER UNIT INSTALLATION	7-9	REMOVAL AND INSTALLATION OF PERMANENT FILTER	
LOCATING THE POWER UNIT	7	(650VF1 AND 700VF1 POWER UNITS ONLY)	10
CHANGING INTAKE LINE DIRECTION	7	REMOVAL AND INSTALLATION OF HEPA FILTER	
MOUNTING THE POWER UNIT	8	(700VF1 POWER UNIT ONLY)	11
FITTING MAIN LINE TO POWER UNIT	9	MOTOR FOAM FILTER (ALL UNITS)	11
GROUNDING INSTRUCTIONS	9	TROUBLESHOOTING GUIDE.	12
WIRING.	9	SERVICE PARTS	13
		WARRANTY	14

GENERAL INFORMATION

TOOL LISTING

Depending on the installation, the use of the following tools may be required:

Wire strippers, 1/4" and 1/2" drill bits, utility knife, putty knife, 2 1/2" hole saw, keyhole saw, hammer, cold chisel, level, flashlight, drill, electrical tape, Phillips no. 2 screwdriver, wrench, hacksaw, tape measure, safety glasses.

Power tools are recommended to make the installation proceed quickly. A mask and gloves should be worn when cutting ducting and using glue.

WORKING WITH PLASTIC TUBING

CUTTING TUBING

Measure the length of tube needed. Allow 5/8" of tubing for inserting into fittings and 1 1/2" for placing into flexible tubing. Cut the plastic tubing with a hacksaw, ensuring that the cut is exactly square. Use wire cutters or tin snips to cut flexible tubing, 8" lengths of flexible tubing should not be cut.

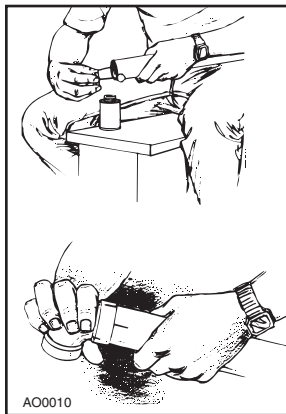
Use a small knife or steel wool to remove any burrs from the inside of the tube.

Use a file to slightly bevel the outside of the tube so that it will easily slide into the fitting. Use steel wool or a light grained sandpaper to buff the surface of the tube which will be glued.

MAKING A JOINT

Insert the tube into the fitting, aligning both parts as they will be installed. Mark the tube and the fitting to quickly realign the joint.

Apply cement in an inch-wide band to the outside of the tube. Insert the tube into the fitting with the alignment marks a quarter turn apart, and then quickly push and turn the fitting to align the marks and spread the cement. Allow 1 minute for the joint to dry.

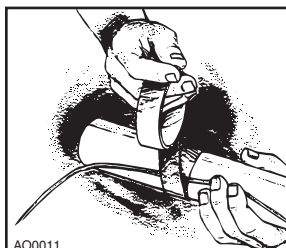


CEMENTING FLEXIBLE TUBING

Ensure the ends of the flexible tubing are even. When joining flexible tubing to plastic tubing or to an inlet mounting plate, apply cement to both the inside of the flexible tubing and the outside of the plastic tubing or mounting plate tubing ring. Twist both pieces while joining them to evenly spread the glue. Allow 5 minutes for the cement to set in flexible tubing.

SECURE WIRE TO TUBING

The low-voltage power wiring is run along with the tubing. Use electrical tape to secure the wire to the tubing. Tape the wire approximately every 12" to 18".



WALL INLET INSTALLATION

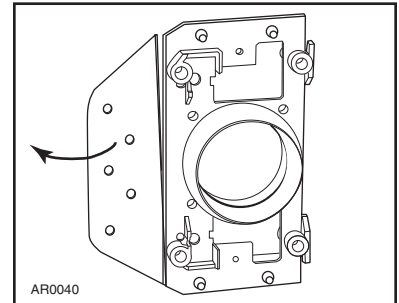
MAKING THE WALL INLET CUTOUT

The wall inlet should be located 18" on-center from the floor and directly in line with the attic or basement inlet tubing hole previously drilled in the wall plate or header. The wall inlet cutout must be exactly 3 7/8" high by 2 7/8" wide.

ATTACHING THE INLET MOUNTING PLATE (V144)

Reach through the inlet hole and locate the inlet tubing. Pull the flexible tubing through the inlet hole and remove the low-voltage wiring from inside the tube.

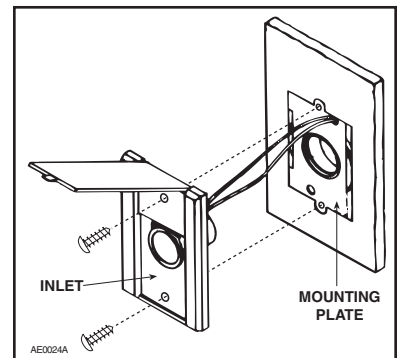
Remove the nail flange from the inlet mounting plate (see illustration at right). Apply cement to both the inside of the flexible tubing and to the outside of the mounting plate's tube ring. Insert the mounting plate's tube ring in the flexible tubing and twisting the pieces as you join them to spread the cement, and align the mounting plate in a vertical position.



Now, strip the ends of the two low-voltage wires, and then connect the wires to the screw terminals on the back of the inlet cover. When the wiring is complete, assemble the inlet cover to the tube guard and mounting plate.

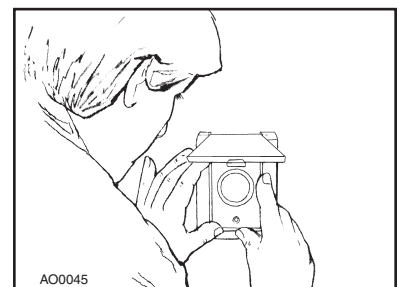
COMPLETING THE INLET ASSEMBLY

Once you have attached the mounting tubing to the flexible tubing, pull the low-voltage wire through the top wiring hole in the mounting plate.

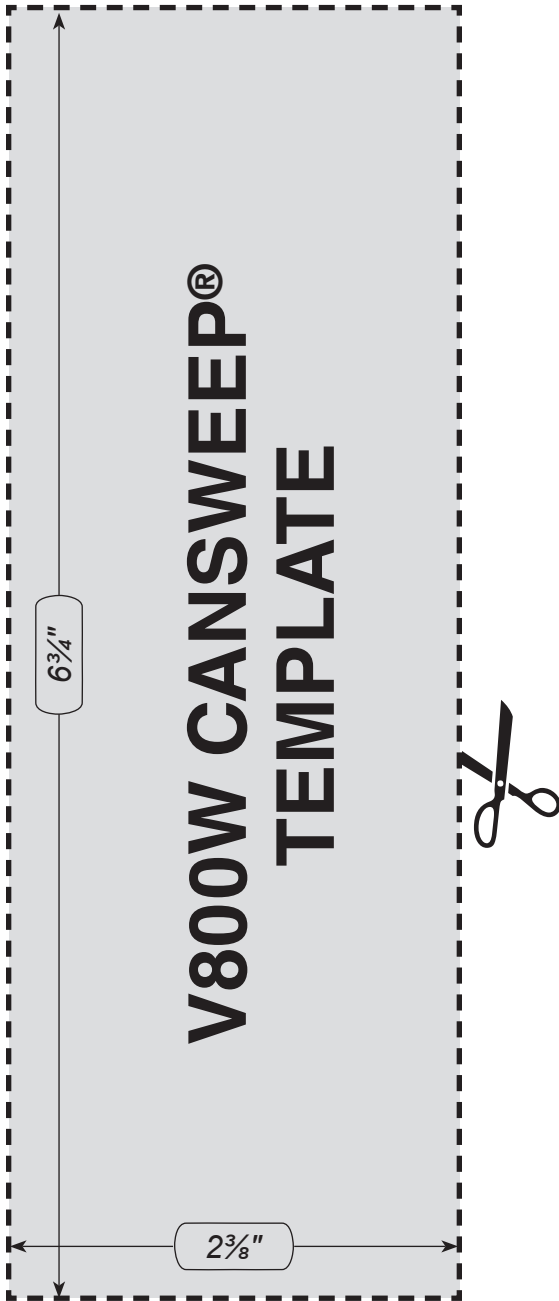


INSTALLING THE INLET (V111)

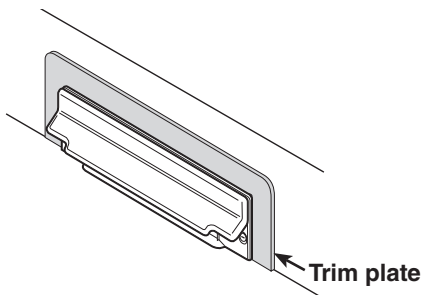
Place the inlet into the wall cutout (the inlet cover remains on the outside). Hold the inlet in place and gradually tighten down each screw a little bit at a time.



V800W CANSWEEP® UNDER CABINET INSTALLATION

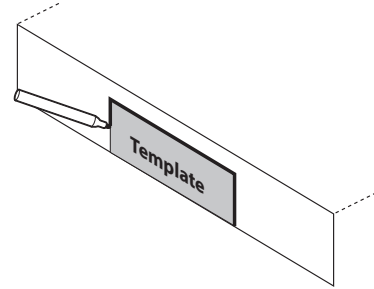


If by any chance the opening was cut too big, a trim plate (part number V801W) is available to provide a perfect cover.



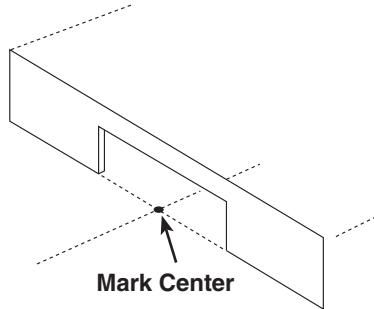
1

Align the template (cut from this instruction sheet) onto the kick plate to the desired location, and trace the outline of the area.



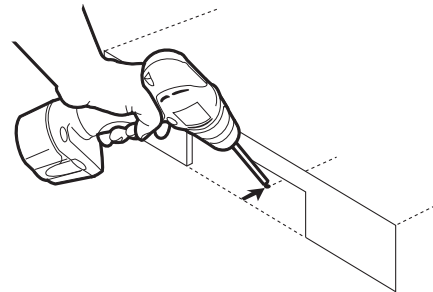
2

Cut out the desired opening and discretely mark the center of the opening on the floor.



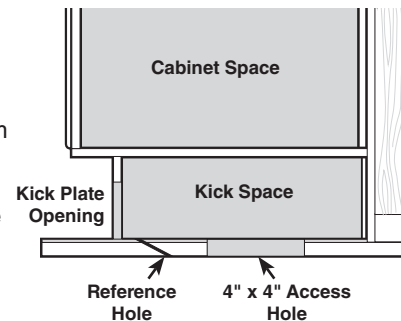
3

Drill a small reference hole along the center line behind the kick plate through the subfloor.



4

Locate the reference hole from beneath the subfloor. Cut a 4" x 4" access hole on your chosen position along the center line under the kick space.



V800W CANSWEEP® UNDER CABINET INSTALLATION (CONT'D)

5

Fig. A

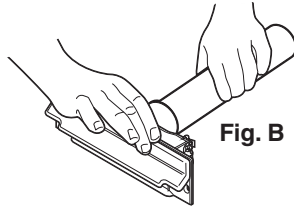
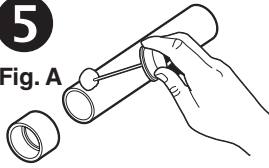


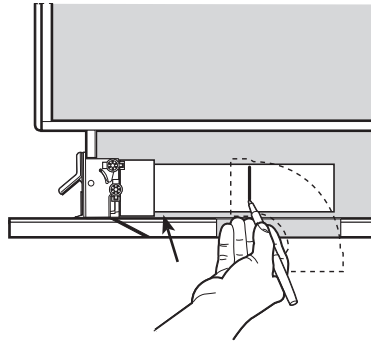
Fig. B

Solvent weld a coupling to a piece of 2" central vacuum pipe, long enough to reach the 4" x 4" access hole from the opening on the kick plate (**Fig. A**).

Friction fit the other end of the coupling to the CanSweep® until secure. Do not glue, friction fit only (**Fig. B**).

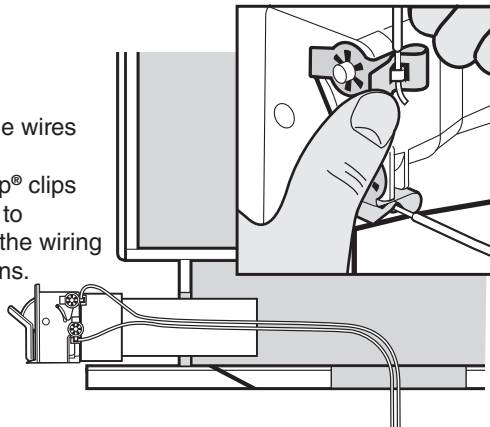
6

Insert the CanSweep®/pipe into the opening on the kick plate. Use a 90° sweep elbow fitting to determine a cut mark on the other end of the pipe. Then cut the pipe at the mark.



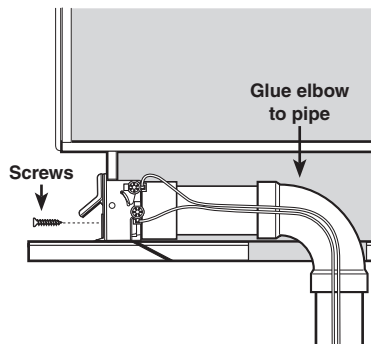
7

Slide the low voltage wires into the CanSweep® clips as shown to complete the wiring connections.



8

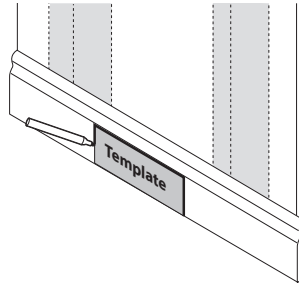
Slide the CanSweep®/pipe and low voltage wires into the opening on the kick plate. Glue both ends of the elbow to the piping system, and then secure the CanSweep® to the kick plate with the 2 supplied screws.



V800W CANSWEEP® BASEBOARD WALL INSTALLATION

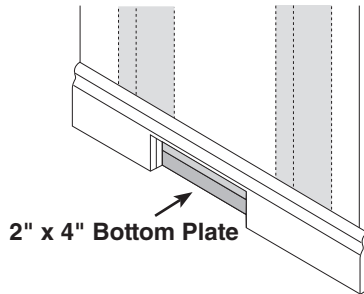
1

Choose a desired position on the baseboard **between two studs**. Place the template (cut from this instruction sheet) on the position, and trace the outline of the area.



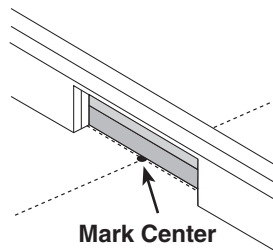
2

Trim the opening on the baseboard and through the drywall until reaching the 2" x 4" bottom wall plate.



3

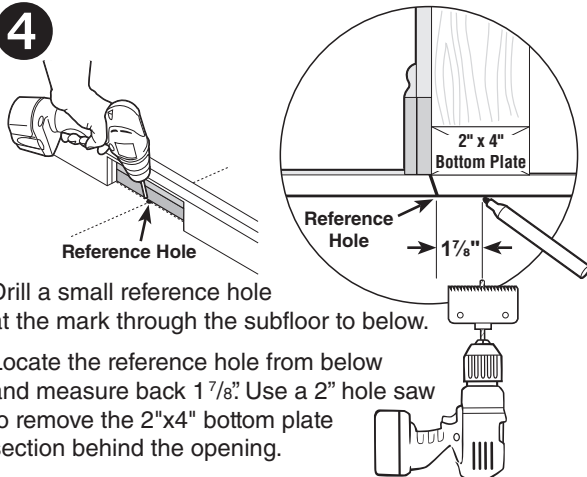
Against the edge of the 2" x 4" bottom plate, mark the center of the opening.



4

Drill a small reference hole at the mark through the subfloor to below.

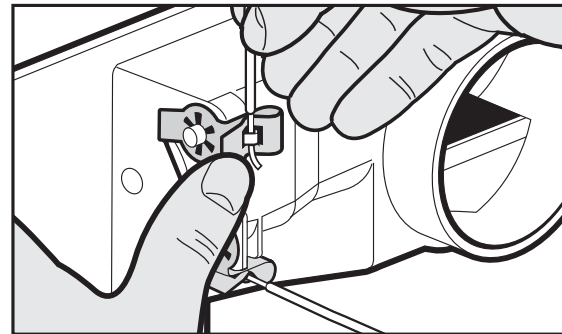
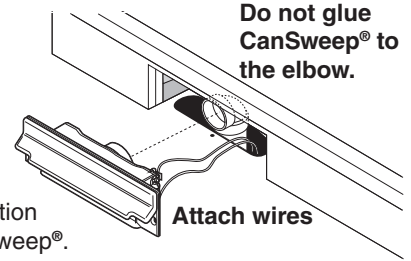
Locate the reference hole from below and measure back 1 7/8". Use a 2" hole saw to remove the 2"x4" bottom plate section behind the opening.



5

Make piping connections as required and ready the short 90° elbow in position and **Attach wires** behind the CanSweep®.

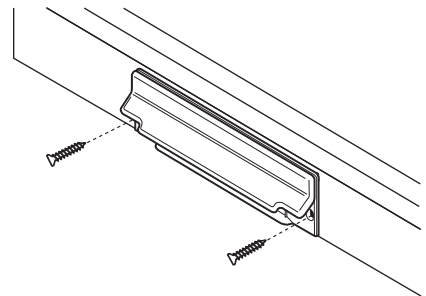
Make sure that the opening of the elbow will securely attach onto the spigot on the back of the CanSweep® when it is time for connection.



Slide the low volt wires into the CanSweep® clips as shown to complete the wiring connections.

6

Slide the CanSweep® and low voltage wires into the opening on the baseboard. Friction fit the CanSweep® spigot into the elbow. Secure the CanSweep® to the baseboard with the 2 supplied screws.



POWER UNIT INSTALLATION

⚠ WARNING

Do not install outdoors. Before being hung, rest the unit on a leveled surface to prevent the unit to fall down. When performing installation, servicing or cleaning the unit, it is recommended to wear safety glasses and gloves.

LOCATING THE POWER UNIT

- Locate the power unit away from the general living area in an accessible location for cleaning and maintenance.
- Locate the power unit within 6 feet of a grounded electrical outlet. The power unit requires a 120 VAC power source, dedicated 15-amp branch circuit.
- Do not locate the power unit close to a source of extreme heat (i.e.: water heater) or in an area with a high ambient temperature (i.e.: attic, furnace room).
- If the power unit is located in a closet or a small utility room, make sure the area is well-ventilated (e.g.: with door louvers).

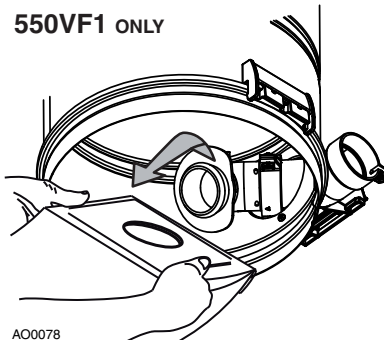
CHANGING INTAKE LINE DIRECTION

The intake line connects to the right side of the unit. However, it is possible to change this configuration; to connect the intake line to the left side of the unit, follow these steps:

- 1 Remove debris pail from power unit by releasing both latches on sides of the unit, pulling them out and then pushing up. Detach the pail from unit.

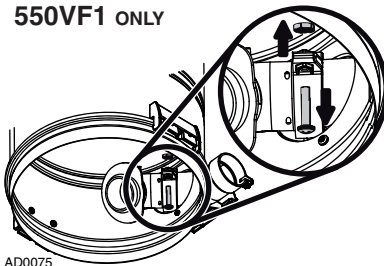
550VF1 ONLY

550VF1 only: Grasp the edges of the bag collar and pull down; the bag will slide off easily. **Do not pull on the bag.** Set the bag aside.

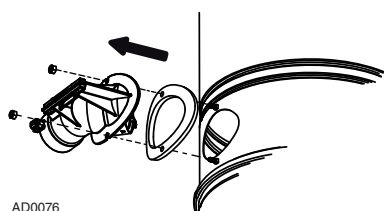


- 2 **550VF1 only:** Using a Phillips screwdriver no. 2, remove the screw tightening the bag adapter and intake elbow junction. Disassemble the bag adapter from the intake elbow and set aside with its screw and nut.

550VF1 ONLY

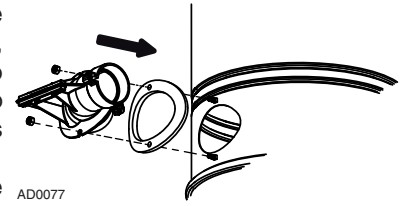


- 3 **All units:** Disassemble the intake elbow from the back of the unit using a 3/8" socket to remove both retaining nuts and screws.



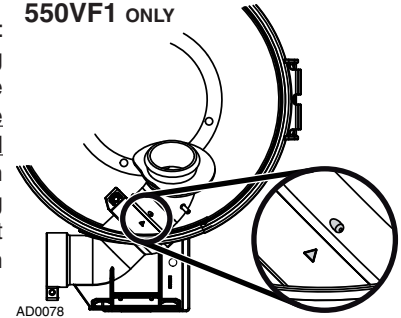
- 4 **All units:** Flip the intake elbow 180°, then reassemble it to the unit, taking care to keep its gasket at its original position.

NOTE: Ensure the gasket is not folded in order to prevent lack of suction, and noise.



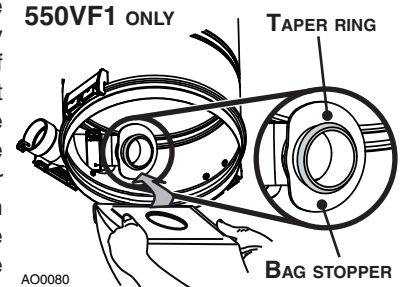
- 5 **550VF1 only:** Reassemble the bag adapter to the intake elbow. Align triangle with small inclined stud, then tighten the junction using the screw and nut previously removed in 2.

550VF1 ONLY



- 6 **550VF1 only:** Put the bag back in place by grasping the edges of its collar and insert over bag adapter. Be careful not to tear the bag. Ensure the collar is positioned between the taper ring and the bag stopper on the bag adapter.

550VF1 ONLY



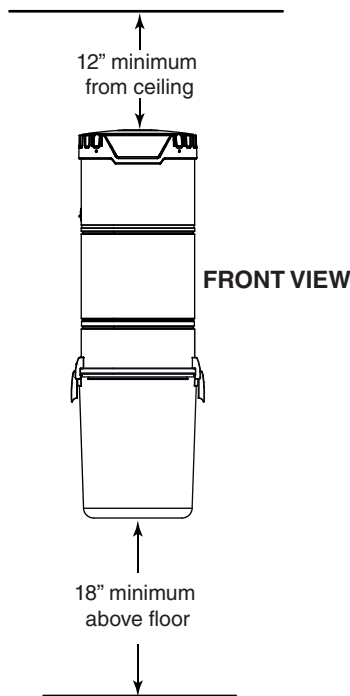
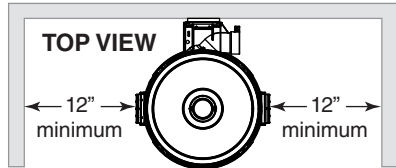
- 7 **All units:** Put the pail back in place.

POWER UNIT INSTALLATION (CONT'D)

MOUNTING THE POWER UNIT

- Carefully remove debris pail from power unit. Make sure bag is properly installed in power unit (550VF1 unit only). Remove the installation kit and securely reinstall debris pail.
- Refer to illustration below to maintain minimum walls and floor clearance dimensions.

MINIMUM CLEARANCE DIMENSIONS

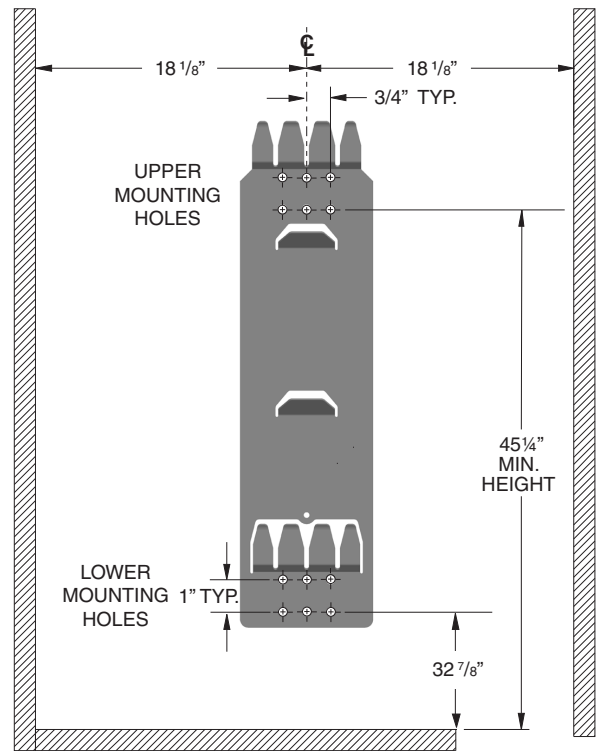


AD0039A

- Position and install the wall mounting bracket with the provided screws. Refer to illustration in the right column for proper mounting dimensions.

CAUTION

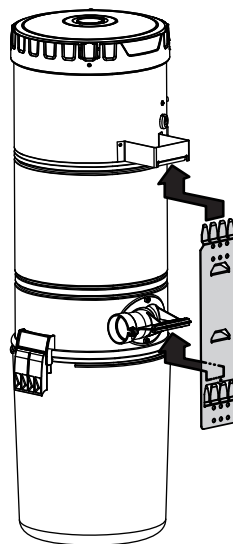
Ensure to screw the wall mounting bracket directly to a wall stud for a solid installation.



AD0079A

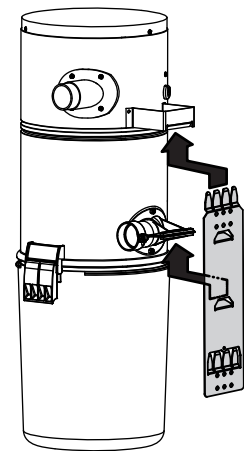
- Use the provided mounting screws to secure the mounting bracket on the wall through upper and lower mounting holes.
- Hang power unit onto wall mounting bracket. Ensure the back brackets of the power unit are engaged with corresponding wall bracket fingers (or top fingers and lower tab for 550VF1 model; see figure below). Pull the power unit down to secure.

650VF1 AND 700VF1



AD0074

550VF1

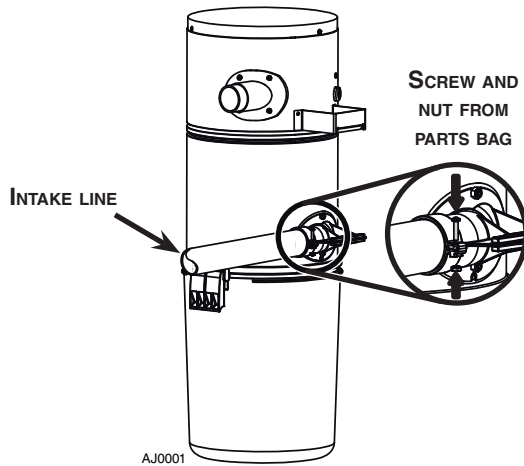


POWER UNIT INSTALLATION (CONT'D)

FITTING MAIN LINE TO POWER UNIT

- Run house vacuum line up to the elbow behind the power unit. Insert the end of the line in the elbow opening and secure house vacuum line by hand tightening the screw and nut provided (see illustration below) **DO NOT GLUE.**

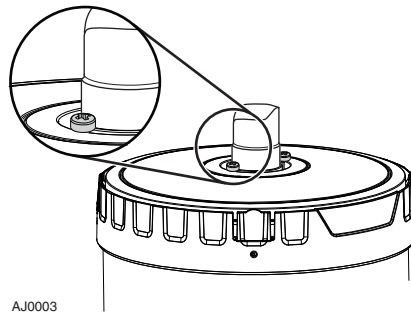
INTAKE LINE TYPICAL CONNECTION TO POWER UNIT



- Assemble exhaust tubing to exhaust outlet on top or top side of the unit, according to the power unit model. **DO NOT GLUE.**

NOTE FOR 700VF1 UNIT ONLY

If desired, the coupling or elbow used to connect the exhaust line to the top of the unit may be secured using two 5/8" included screws. See illustration at right.



NOTE: Using flexible tubing will ease future top cap removal.

- Make sure all tubing connections are air tight.
- The exhaust should not be vented into a wall, ceiling or concealed space in the house. It is recommended to vent the vacuum exhaust air to the outdoors. Exterior vented exhaust line should end using Model V145 wall cap.

NOTE: For optimal indoor air quality, exhausting the power unit to the outdoors is recommended but is not required, especially for 700VF1 unit which is equipped with an exhaust HEPA filter.

GROUNDING INSTRUCTIONS

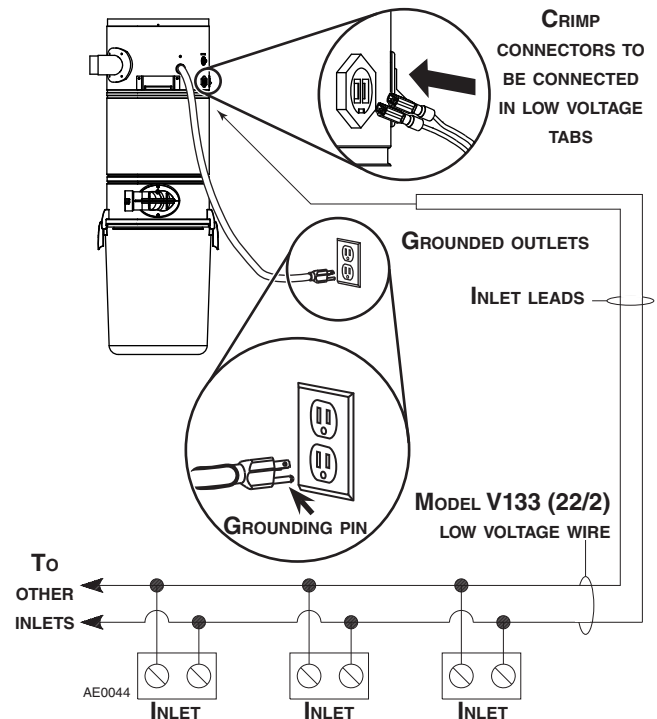
⚠ WARNING

Improper connection of the equipment-grounding conductor can result in a risk of electric shock. Check with a qualified electrician or service person if you are in doubt as to whether the outlet is properly grounded. Do not modify the plug provided with the appliance – if it will not fit the outlet, have a proper outlet installed by a qualified electrician.

Grounding Instructions – This appliance must be grounded. If it should malfunction or break down, grounding provides a path of least resistance for electric current, to reduce the risk of electric shock. This appliance is equipped with a cord having an equipment-grounding conductor and grounding plug. The plug must be plugged into an appropriate outlet that is properly installed and grounded in accordance with all local codes and ordinances.

WIRING

This appliance is for use on a standard 120 VAC, dedicated 15-amp branch circuit with a NEMA 5-15R receptacle. Make sure that the power unit is connected to an outlet and has a grounding attachment plug that looks like the plug shown in illustration below. No adapter should be used with this power unit.



NOTE: Inlet leads to be connected to power unit low voltage tabs using crimp connectors (included in parts bag) and low voltage harness.

OPERATION AND MAINTENANCE

Open the wall inlet cover and insert the end of the hose into the inlet to turn on the vacuum.

For non-switched hoses, inserting the hose automatically turns on the power unit; removing the hose shuts off the power unit. Some hoses have switches which can be used to activate power unit. The ON/OFF switch located on the power unit needs to be kept in the OFF position.

As you vacuum, dirt and dust are carried to the power unit where they remain in a bag or in the debris pail (according to the power unit model).

Use the cleaning tools as you would for any other vacuum cleaner. Avoid picking up very large debris or lengthy as these kinds of objects may become lodged in the hose or tubing.

WHEN TO CHANGE BAG* OR EMPTY DEBRIS PAIL

With a 6 U.S. gallons (22.7 liters) capacity, under normal conditions the bag/debris pail requires changing/emptying approximately twice a year. If the bag/debris pail is full, you will notice a reduced suction from the system. Unless this loss of suction is caused by a blockage in the system, changing the bag or emptying the debris pail will solve the problem.

NOTE: Even if not filled to capacity, if the bag seems tightly stretched when removing the debris pail, changing the bag will prevent it from tearing.

* Only 550VF1 unit is equipped with a disposable bag (391C).

HOWTO EMPTY DEBRIS PAIL (650VF1 AND 700VF1 POWER UNITS ONLY)

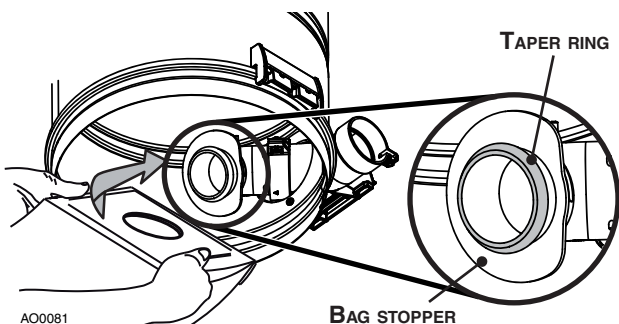
To empty the debris pail, release both latches on sides of the unit by pulling out and then pushing up. Holding the pail by the latches, lower it from unit. Carry pail to trash receptacle and dispose of debris. Put the pail back in its place.

DISPOSABLE BAG REPLACEMENT (550VF1 POWER UNIT ONLY)

1 To remove the disposable bag, release both latches on sides of the unit by pulling out and then pushing up. Remove the pail from unit. Grasp the edges of the bag collar and pull down. The bag will slide off easily. Do not pull on the bag.

2 Unfold the new bag.

3 Grasp collar where indicated on the new bag and insert over bag adapter. Be careful not to tear the bag. Ensure the collar is positioned between the taper ring and the bag stopper on the bag adapter (see illustration below). Put the pail back in its place.

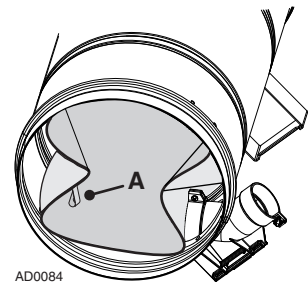


PERMANENT FILTER (650VF1 AND 700VF1 POWER UNITS ONLY)

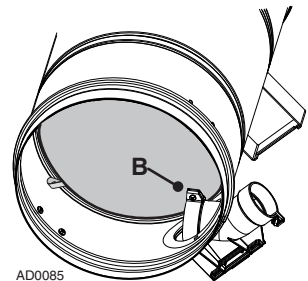
This filter protects the motor and stops small particles from escaping to the outside of the power unit without the need to replace it. The filter cleans itself by moving up when the power unit starts, and dropping down when the unit is turned off. Under normal use, there is no need to maintenance this filter. It is possible to remove it to inspect the motor foam filter, or to replace it if ever it has been damaged (by sharp debris, for example).

REMOVAL AND INSTALLATION OF PERMANENT FILTER (650VF1 AND 700VF1 POWER UNITS ONLY)

1 Remove the pail from unit. To remove the permanent filter, use pull tab (A) located on edge of filter to pull and loosen filter from inlet chamber wall. Squeeze from both sides of the filter to the center of the housing. Then, carefully remove it from the unit.



2 Squeeze the filter in order to move it past the inlet opening (B). Let the filter bear against the unit wall by releasing the pressure. Make sure to place the rigid ring in its groove to ensure proper sealing.



NOTE: Make sure the filter is installed so that the pull tab (A) is accessible for future filter removal.



CAUTION

Be sure to reinstall filter properly. Appropriate location is critical to insure proper protection of the motor.

OPERATION AND MAINTENANCE (CONT'D)

REMOVAL AND INSTALLATION OF HEPA FILTER (700VF1 POWER UNIT ONLY)

NOTE: This is a disposable HEPA filter; do not attempt to wash it since this will damage it.

This HEPA filter should be replaced every 5 years. Proceed as follow:

- 1 If installed, detach the exhaust line from the top of the unit.
- 2 Disassemble upper part from lower part top cap assembly by pushing on the 4 retaining tabs (one by one) located on the lower part and pulling on upper part to disengage it.

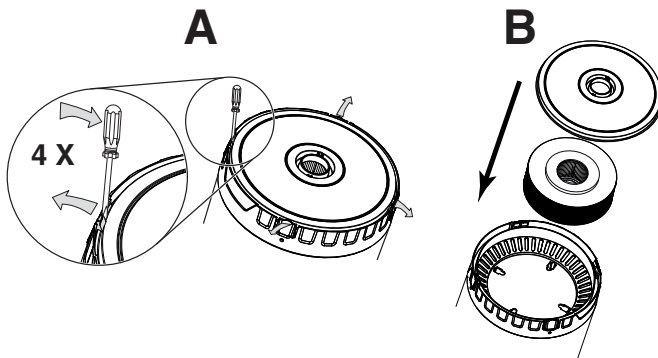
NOTE: A small flat blade screwdriver can also be used to pry on the 4 retaining tabs, as shown in illustration **A** at the bottom of the page.

- 3 Discard the used filter and replace with a new one (part

⚠ WARNING

Risk of warm surfaces and sharp edges. It is recommended to wear safety gloves while handling this HEPA filter.

no. S10941416). Be sure to install it with the gasket on top as shown in illustration **B** (at the bottom of the page), then snap in place the upper part of the top cap. If need be, reconnect the exhaust line to the top cap.



MOTOR FOAM FILTER (ALL UNITS)

A motor foam safety filter, located at the top of the vacuum chamber provides protection against dirt being pulled into the motor if the disposable bag or permanent filter should accidentally be torn. This filter should be checked and cleaned if necessary when replacement bag is installed (550VF1 unit only), or when permanent filter is removed (650VF1 and 700VF1 units only). Simply brush filter clean. If the filter is excessively soiled, hand wash in a water and mild detergent solution, rinse and let it dry **completely** on a flat surface before reinstalling.

CAUTION

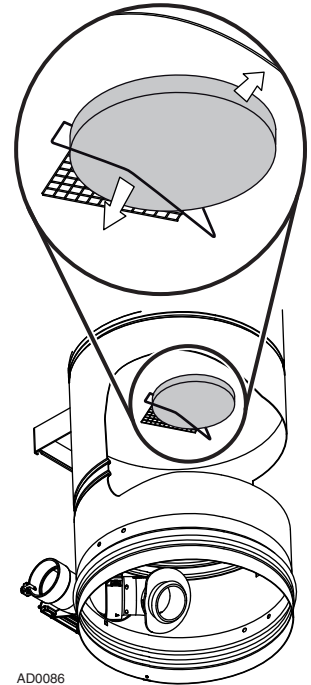
Operating the power unit without the motor foam filter will void the warranty.

REMOVING MOTOR FOAM FILTER

Remove the debris pail and disposable bag or permanent filter. Lift the center of the wire retaining the motor foam filter and slide the filter out of its location.

REINSTALLING MOTOR FOAM FILTER

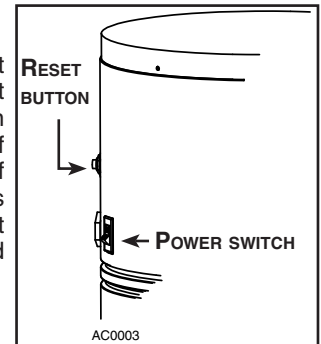
To reinstall the motor foam filter, reverse the steps described above.



AD0086

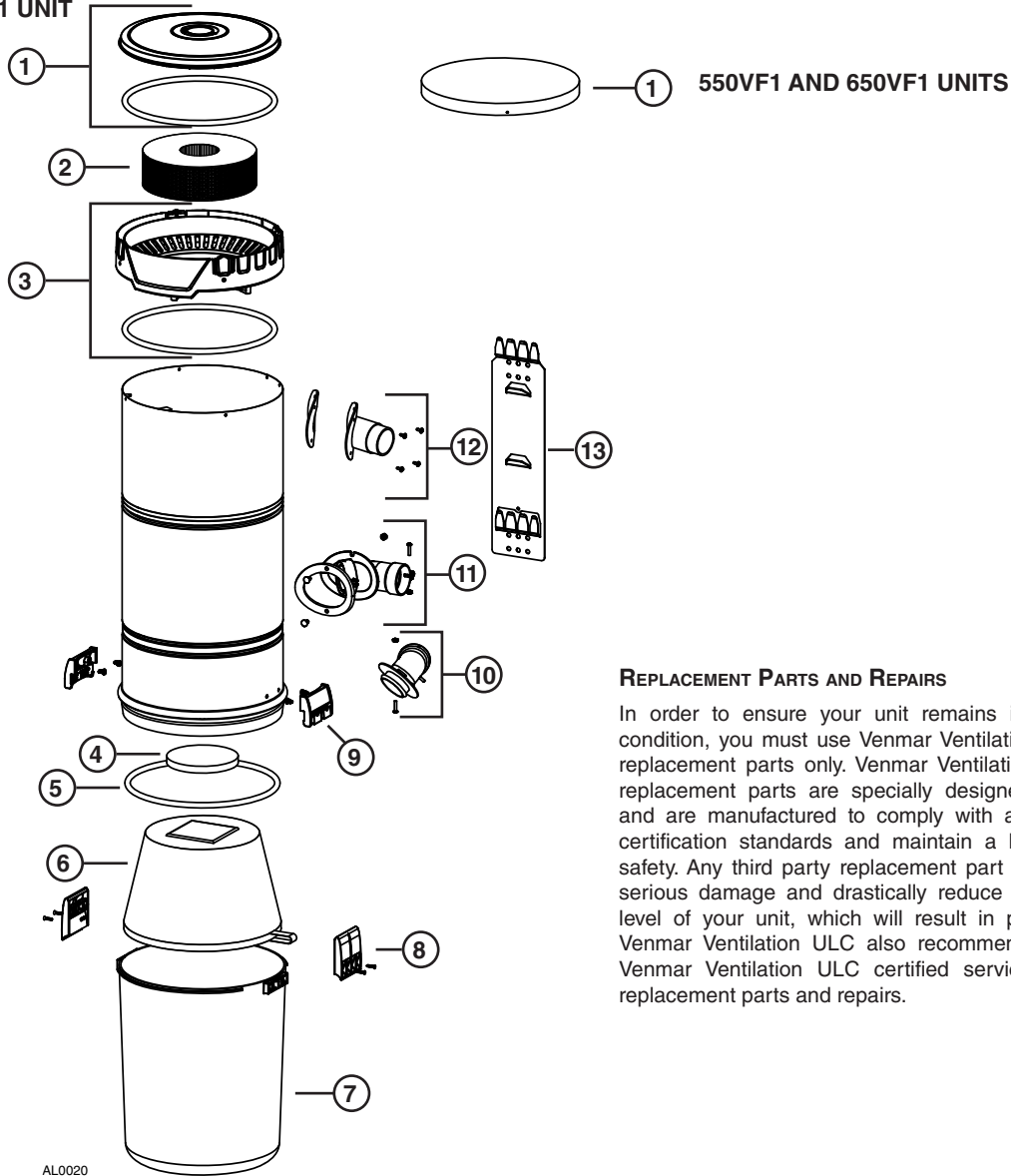
TROUBLESHOOTING GUIDE

PROBLEMS	POSSIBLE CAUSES	POSSIBLE REMEDY
<p>1. Loss or decrease of suction occurs.</p>	<ul style="list-style-type: none"> • Debris pail or disposable bag is completely full. • Debris pail gasket damaged or missing. • Obstruction in the hose. A blockage in the hose can be determined by inserting the hose into any wall inlet and, while power unit is running, check each additional inlet for normal suction by holding the palm of your hand over the open inlet. If normal suction is felt at all other inlets, insert the hose into a second inlet. If the blockage still exists it is located in the hose. However, if the blockage does not occur when the hose is changed, the blockage is probably located in the tubing system leading to the original inlet. • Obstruction in the tubing system inside the walls. • Permanent filter or disposable bag torn. • Wall inlet cover not properly sealed. • Exhaust tubing or vent clogged. 	<ul style="list-style-type: none"> • Change the disposable bag or empty debris pail as described on page 10. • Replace the debris pail gasket. • Disconnect the hose from the wall inlet and insert a blunt instrument into the hose — slightly smaller in diameter — such as a flexible garden hose. Push the garden hose through the cleaning system hose until the obstruction has been cleared. • Insert hose end into any inlet to make power unit running, then place the palm of your hand over the opposite end of the hose. When you can feel the suction increase, hold your hand over the hose end for a few seconds and then quickly remove your hand. This procedure repeated several times should clear the obstruction. If the blockage is not cleared, contact your nearest Service Center. • Clean the interior of the unit and install a new permanent filter (or disposable bag). • Check all wall inlet covers to be sure they are closed and sealed tightly. • Inspect and remove any blockages.
<p>2. Power unit does not start, or stops suddenly.</p>	<ul style="list-style-type: none"> • Defective inlet. Check other wall inlets. • Power unit internal circuit breaker has been activated (the reset button is popped up). • Blown fuse or tripped circuit breaker on house electrical panel. • Defective hose. • Power unit overcurrent protector has been activated. 	<ul style="list-style-type: none"> • Replace defective wall inlet. • Push on the circuit breaker reset button located on the left side of the power unit. If this button pops up again, contact your authorized Service Center. • Replace fuse or reset circuit breaker on house electrical panel. Ensure the circuit is DEDICATED to the central vacuum unit, meaning that there is no other electrical device connected to the central vacuum unit circuit. • Some brands of house panel breakers may be more sensitive to startup current than others (for example, Square D brand). Correct the situation by changing the breaker with an “HM” type of the same AMP rating. • Replace hose as required. • Unplug the power unit, wait at least 15 minutes and plug the power unit back in.
<p>3. Power unit runs continuously when the hose is removed.</p>	<ul style="list-style-type: none"> • The unit power switch is in ON position. • An electrical short has occurred somewhere in the system. 	<ul style="list-style-type: none"> • Set the unit power switch to OFF position. • Perform a complete check of all wall inlets and power unit low voltage control lead connections. Contact your authorized Service Center.



SERVICE PARTS

700VF1 UNIT



AL0020

REPLACEMENT PARTS AND REPAIRS

In order to ensure your unit remains in good working condition, you must use Venmar Ventilation ULC genuine replacement parts only. Venmar Ventilation ULC genuine replacement parts are specially designed for each unit and are manufactured to comply with all the applicable certification standards and maintain a high standard of safety. Any third party replacement part used may cause serious damage and drastically reduce the performance level of your unit, which will result in premature failing. Venmar Ventilation ULC also recommends to contact a Venmar Ventilation ULC certified service depot for all replacement parts and repairs.

KEY NO.	PART NO.	DESCRIPTION	550VF1	650VF1	700VF1
1	S10941410	700VF1 TOP CAP ASSEMBLY (INCLUDING ITEM 5) (UPPER PART)			1
	S10941412	550VF1 AND 650VF1 TOP CAP ASSEMBLY	1	1	
2	S10941416	700VF1 EXHAUST HEPA FILTER			1
3	S10941414	700VF1 TOP CAP ASSEMBLY (LOWER PART)			1
4	66369	MOTOR FOAM FILTER WITH FASTENER	1	1	1
5	S10941400	GASKET	1	1	3
6	S10941415	PERMANENT FILTER		1	1
7	S99670648	DEBRIS PAIL (INCLUDING KEY NO. 8)	1	1	1
8	S10941199	LATCH AND SCREWS	2	2	2
9	S10941404	LATCH KEEPER WITH SCREWS	2	2	2
10	S10941405	BAG ADAPTER WITH NUT AND SCREW	1		
11	S10941406	INTAKE ELBOW WITH GASKET, SCREWS, AND NUTS	1	1	1
12	S99670650	EXHAUST PORT WITH GASKET AND SCREWS	1	1	
13	S30390555	UNIT SUPPORT BRACKET	1	1	1
*	391C	DISPOSABLE BAG (SET OF 3)	1		

* ITEM NOT SHOWN

NOTE: Order service parts by "Part No." — not by "Key No."

WARRANTY

VENMAR MODELS 550VF1, 650VF1 AND 700VF1

VENMAR VENTILATION ULC
CENTRAL VACUUM POWER UNIT
LIMITED WARRANTY

Venmar Ventilation ULC warrants to the original consumer purchaser that its central vacuum power unit will be free from defects in materials and workmanship for five (5) years for 550VF1 units, eight (8) years for 650VF1 units and ten (10) years for 700VF1 units. This warranty covers the parts and labor in an authorized service center for the first three (3) years of the warranty for 550VF1 units, the first five (5) years of the warranty for 650VF1 units, the first six (6) years of the warranty for 700VF1 units. After these time periods, the parts only will be covered under this warranty. THERE ARE NO OTHER WARRANTIES, EXPRESSED OR IMPLIED, INCLUDING, BUT NOT LIMITED TO, IMPLIED WARRANTIES OF MERCHANTABILITY OR FITNESS FOR A PARTICULAR PURPOSE.

During these time periods, Venmar Ventilation ULC will, at its option, repair or replace the power unit or part without charge, which is found to be defective under normal use and service. THIS WARRANTY DOES NOT APPLY TO THE INSTALLATION OR THE PARTS USED IN THE INSTALLED TUBING SYSTEM. All central vacuum hoses, electric or air-driven brushes, filters, attachments and accessories are warranted for one (1) year from the original purchase date with the exception to consumables such as light bulbs and belts. We invite you to register your product on line at www.venmar.ca. Venmar Ventilation ULC reserves the right to limit this warranty if the product is not registered.

This warranty does not cover (a) normal maintenance and service or (b) any products or parts which have been subject to misuse, negligence, accident, improper maintenance or repair (other than by Venmar Ventilation ULC or an authorized representative), faulty installation or installation contrary to recommended installation instructions.

The duration of any implied warranty is limited to the period as specified for the express warranty.

VENMAR VENTILATION ULC'S OBLIGATION TO REPAIR OR REPLACE, AT VENMAR VENTILATION ULC'S OPTION, SHALL BE THE PURCHASER'S SOLE AND EXCLUSIVE REMEDY UNDER THIS WARRANTY. VENMAR VENTILATION ULC SHALL NOT BE LIABLE FOR INCIDENTAL, CONSEQUENTIAL OR SPECIAL DAMAGES ARISING OUT OF OR IN CONNECTION WITH PRODUCT USE OR PERFORMANCE. Please do not return your unit to place of purchase. Please visit www.venmar.ca for your closest service center. You may also call 1-877-896-1119 for the name of an authorized representative in your area. This warranty supersedes all prior warranties.

Warranty service is to be completed by an authorized Service Center designated by Venmar Ventilation ULC. Where applicable, in home service will be made available only in areas where a contracted service provider offers service during the first three (3) years of the warranty for 550VF1 units, the first five (5) years of the warranty for 650VF1 units and the first six (6) years of the warranty for 700VF1 units. If in home service is not available, the product will be repaired or replaced, at Venmar Ventilation ULC's discretion, by the nearest authorized service provider. The unit removal and reinstallation works are under the customer responsibility, and Venmar Ventilation ULC cannot be charged for them.

To qualify for warranty service, you must notify Venmar Ventilation ULC at the address or telephone number stated below. We will then forward you the authorized service depot in your area. You will be required to present evidence of the original purchase date.

Date of Installation

Builder or Installer

Model Number and Product Description

IF YOU NEED ASSISTANCE OR SERVICE

For the location of your nearest Venmar Ventilation ULC dealer, dial toll free: **1-877-896-1119**

Please be prepared to provide: Product model number • Date and proof of purchase • The nature of the difficulty

Venmar Ventilation ULC

Product specifications subject to change without notice.

Printed in Canada.