

USER AND INSTALLER MANUAL



A110H65RT	A110H65RS
A130H65RT	A130H65RS
A130E65RT	A130E65RS
A150H75NT*	A150H75NS*
**A160H75RT	A160H75RS
A160H65RT	A160H65RS
A160E65RT	A160E65RS
A150E75NT*	A150E75NS*
**A160E75RT	A160E75RS

*Recirculation mode is not offered on these models.



V110H65RT	V110H65RS
V130H65RT	V130H65RS
V130E65RT	V130E65RS
V150H75NT*	V150H75NS*
**V160H75RT	V160H75RS
V160H65RT	V160H65RS
V160E65RT	V160E65RS
V150E75NT*	V150E75NS*
**V160E75RT	V160E75RS

*Recirculation mode is not offered on these models.

REGISTER YOUR PRODUCT ONLINE AT:
www.venmar.ca/register-your-product.html or
www.vanee.ca/en/register-your-product.html
 For additional information, visit www.venmar.ca or www.vanee.ca

INSTALLER: READ THESE INSTRUCTIONS
SAVE THEM FOR USER
RESIDENTIAL USE ONLY



**THESE PRODUCTS EARNED THE ENERGY STAR® BY MEETING STRICT ENERGY EFFICIENCY GUIDELINES SET BY NATURAL RESOURCES CANADA AND THE US EPA. THEY MEET ENERGY STAR REQUIREMENTS ONLY WHEN USED IN CANADA.



23831 REV. N

Please take note that this manual uses the following symbols to emphasize particular information:

⚠WARNING

Identifies an instruction which, if not followed, might cause serious personal injuries including possibility of death.

CAUTION

Denotes an instruction which, if not followed, may severely damage the unit and/or its components.

NOTE: Indicates supplementary information needed to fully complete an instruction.

LIMITATION

For residential (domestic) installation only. Installation work and electrical wiring must be done by a qualified person in accordance with all applicable codes and standards, including fire-rated construction codes and standards.

⚠WARNING

TO REDUCE THE RISK OF FIRE, ELECTRIC SHOCK, OR INJURY TO PERSON(S) OBSERVE THE FOLLOWING:

1. Use this unit only in the manner intended by the manufacturer.
2. Before servicing or cleaning this unit, disconnect power cord from electrical outlet.
3. This unit is not designed to provide combustion and/or dilution air for fuel-burning appliances.
4. When cutting or drilling into a wall or ceiling, do not damage electrical wiring and other hidden utilities.
5. Do not use this unit with any solid-state speed control device other than those specified in section 3.1.
6. This unit must be grounded. The power supply cord has a 3-prong grounding plug for your personal safety. It must be plugged into a mating 3-prong grounding receptacle, grounded in accordance with the national electrical code and local codes and ordinances. Do not remove the ground prong. Do not use an extension cord.
7. Do not install in a cooking area or connect directly to any appliances.
8. Do not use to exhaust hazardous or explosive materials and vapors.
9. When performing installation, servicing or cleaning this unit, it is recommended to wear safety glasses and gloves.
10. When applicable local regulation comprises more restrictive installation and/or certification requirements, the aforementioned requirements prevail on those of this document and the installer agrees to conform to these at his own expenses.

CAUTION

1. To avoid prematurely clogged filters, turn the unit OFF during construction or renovation.
2. Please read specification label on product for further information and requirements.
3. Be sure to duct air outside - Do not intake/exhaust air into spaces within walls or ceiling or into attics, crawl spaces, or garage. Do not attempt to recover the exhaust air from a dryer or a range hood.
4. Intended for residential installation only in accordance with the requirements of NFPA 90B (for a unit installed in U.S.A.) or Part 9 of the National Building Code of Canada (for a unit installed in Canada).
5. Do not run any air ducts directly above or within 2 ft (0.61 m) of a furnace or its supply plenum, boiler, or other heat producing appliance. If a duct has to be connected to the furnace return plenum, it must be connected 10' (3.1 m) away from plenum's connection to the furnace.
6. The ductwork is intended to be installed in compliance with all applicable local and national codes.
7. When leaving the house for a long period of time (more than two weeks), a responsible person should regularly check if the unit operates adequately.
8. If the ductwork passes through an unconditioned space (e.g.: attic), the unit must operate continuously except when performing maintenance and/or repair. Also, the ambient temperature of the house should never drop below 18°C (65°F).
9. At least once a year, the unit mechanical and electronic parts should be inspected by qualified service personnel.
10. Do not use your unit during construction or renovation of your house or when sanding drywall. Certain types of dust and vapors may damage your system.
11. Make sure at all times that the outside intake and exhaust hoods are free from any snow during the winter season. It is important to check your unit during a big snow storm, so it doesn't draw in any snow. If this is the case, please turn the unit OFF for a few hours.
12. Since the electronic control system of the unit uses a microprocessor, it may not operate correctly because of external noise or very short power failure. If this happens, unplug the unit and wait approximately 10 seconds. Then, plug the unit in again.
13. Do not make excessive use of fragrance appliances or chemicals since some may damage the unit components material.

TABLE OF CONTENT

1. TECHNICAL DATA	4
1.1 AIR DISTRIBUTION (NORMAL OPERATION)	4
2. INSTALLATION	4
2.1 LOCATING AND MOUNTING THE UNIT	4
2.2 INSTALLING THE DUCTWORK AND THE REGISTERS.....	6
2.2.1 FULLY DUCTED SYSTEM (T-1) (THIS CONFIGURATION ALLOWS RECIRCULATION MODE TO OPERATE.).....	6
2.2.2 EXHAUST DUCTED SYSTEM (T-2) (THIS CONFIGURATION ALLOWS RECIRCULATION MODE TO OPERATE.)	6
2.2.3 SIMPLIFIED INSTALLATION (T-4) (THIS CONFIGURATION DOES NOT ALLOW RECIRCULATION MODE TO OPERATE.)	7
2.3 CONNECTING THE DRAIN (HRV ONLY).....	8
2.4 INSTALLING DUAL EXTERIOR HOOD USING TANDEM® TRANSITION KIT (OPTIONAL).....	8
2.5 INSTALLING THE EXTERIOR HOODS	9
2.6 CONNECTING THE DUCTS TO THE UNIT.....	9
2.6.1 DUCTS CONNECTION	10
3. CONNECTIONS	11
3.1 ELECTRICAL CONNECTION TO OPTIONAL MAIN WALL CONTROL	11
3.1.1 ELECTRICAL CONNECTION TO DEHUMIDISTAT OR AUTOMATIC OPTIONAL MAIN WALL CONTROL	11
3.1.2 ELECTRICAL CONNECTION TO ADVANCED OPTIONAL MAIN WALL CONTROL.....	11
3.2 ELECTRICAL CONNECTION TO OPTIONAL AUXILIARY WALL CONTROL	12
3.2.1 ELECTRICAL CONNECTION TO 20-40-60 OPTIONAL AUXILIARY WALL CONTROL.....	12
3.2.2 ELECTRICAL CONNECTION TO DRY CONTACT OPTIONAL AUXILIARY WALL CONTROL (E.G. CRANK TIMER).....	12
3.3 CONNECTION TO THE CENTRAL FORCED-AIR SYSTEM.....	13
3.3.1 UNIT OPERATION USING A DRY CONTACT CONNECTION.....	13
3.3.2 UNIT INTERCONNECTION WITH CENTRAL FORCED-AIR SYSTEM (R/C/G/Gf).....	13
3.3.3 SYNCHRONIZATION WITH CENTRAL FORCED-AIR SYSTEM FUNCTION.....	13
4. WIRING DIAGRAM	14
5. NAVIGATION ON LCD SCREEN	15
5.1 LCD SCREEN	16
5.2 UNIT FIRST BOOT.....	16
5.3 SETTINGS MODIFICATION.....	16
5.3.1 PROCEDURE TO MODIFY MIN CFM SETTING.....	16
5.3.2 PROCEDURE TO MODIFY MAX CFM SETTING.....	16
5.3.3 PROCEDURE TO MODIFY OPTIONS SETTING.....	16
5.3.4 PROCEDURE TO MODIFY INDEPENDENT AIRFLOWS SETTING.....	16
5.4 FACTORY SETTINGS RESET	17
6. USING THIS UNIT	17
6.1 YOUR VENTILATION SYSTEM	17
6.2 INTEGRATED CONTROL	17
6.3 AHU MODE DISPLAY	17
7. SERVICE PARTS	18
8. INSTALLER’S TROUBLESHOOTING	20
9. MAINTENANCE	23
9.1 QUARTERLY	23
9.2 ANNUAL (AT FALL)	24
10. USER’S TROUBLESHOOTING	24
11. WARRANTY	25

Consumer Information

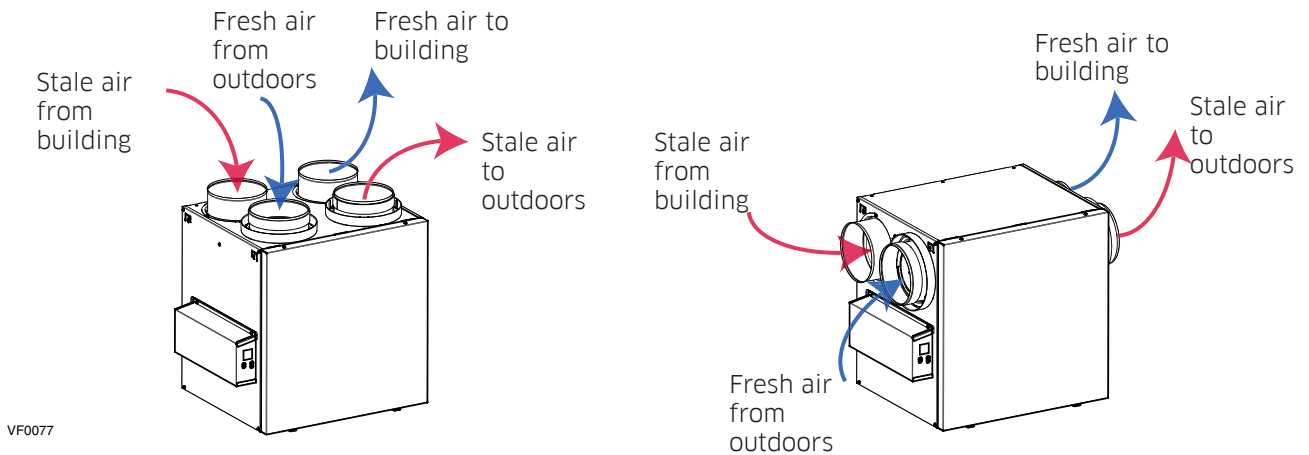
A. To ensure quiet operation of the H/ERV, each product model must be installed using sound attenuation techniques appropriate for the installation.

B. The way your heat/energy-recovery ventilator is installed can make a significant difference to the electrical energy you use. To minimize the electricity use of the heat/energy-recovery ventilator, a stand-alone fully ducted installation is recommended. If you choose a simplified installation that operates your furnace air handler for room-to-room ventilation, an electrically efficient furnace that has an electronically commutated (EC) variable speed blower motor will minimize your electrical energy consumption and operating cost.

C. Installation of a user-accessible control with your product model will improve comfort and may significantly reduce the product model's energy use.

1. TECHNICAL DATA

1.1 AIR DISTRIBUTION (NORMAL OPERATION)



NOTE: The dimensions, performance charts, defrost cycle tables and specifications are listed on the specification sheets of the unit.

Visit our website at www.venmar.ca or www.vanee.ca.

2. INSTALLATION

⚠ WARNING

The wearing of safety glasses and gloves is recommended when installing, maintaining or cleaning the unit to reduce the risk of injury that could be caused by the presence of thin metal and/or high moving parts.

CAUTION

Make sure that no piece of mineral wool will enter in the unit during installation. Otherwise, this could reduce airflow and generate vibrations and noise in the unit.

2.1 LOCATING AND MOUNTING THE UNIT

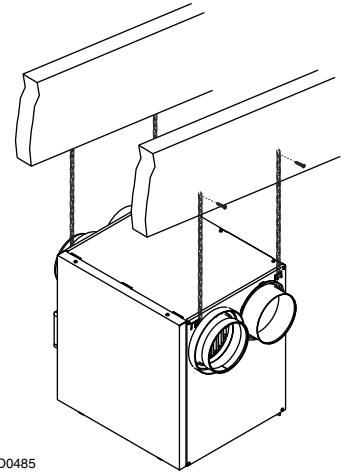
Choose an appropriate location for the unit:

- Within an area of the house where the ambient temperature is kept between 10°C (50°F) and 65°C (149°F);
- Away from living areas (dining room, living room, bedroom), if possible;
- So as to provide easy access to the interior cabinet for maintenance, and to the control panel on the side of the unit;
- Close to an exterior wall, so as to limit the length of the insulated flexible ducts to and from the unit;
- HRV units only: close to a drain. If no drain is close by, use a pail to collect run-off;
- Away from hot chimneys, electrical panel and other fire hazards;
- Within 6 feet of a power source (standard outlet).

2.1 LOCATING AND MOUNTING THE UNIT (CONT'D)

Suspended to the joists or trusts:

- Slightly bend the brackets on the unit to insert the provided chains.
- Hang the unit to the joists using the provided chains. Springs are not required.
- Always make sure that the unit is no more than 1/4" off level.

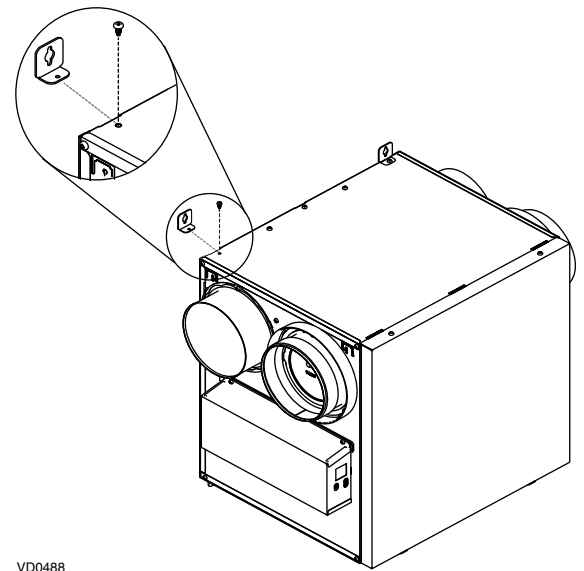


VD0485

OR

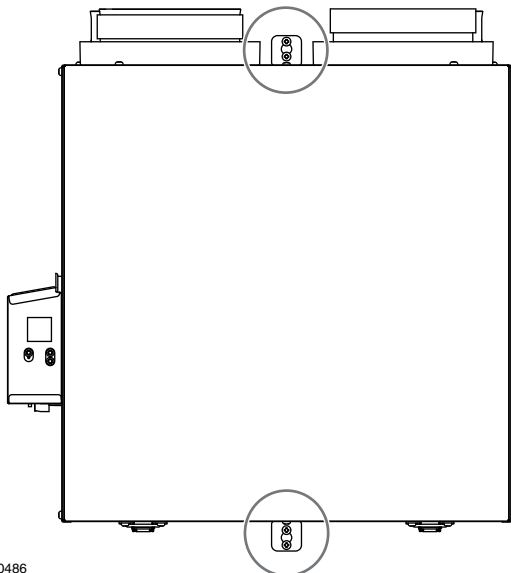
Wall mounted:

- Choose the appropriate location(s) for the mounting brackets (see illustration below) according to stud(s) position.
- Insert the provided brackets under the unit frame (see illustration hereafter).
- Fix the bracket using the screw no. 8 x 3/8".
- Using the 4 no. 8 x 1 1/2" screws provided, secure the unit to the wall making sure that the 4 screws engage into a stud.
- Always make sure that the unit is no more than 1/4" off level.



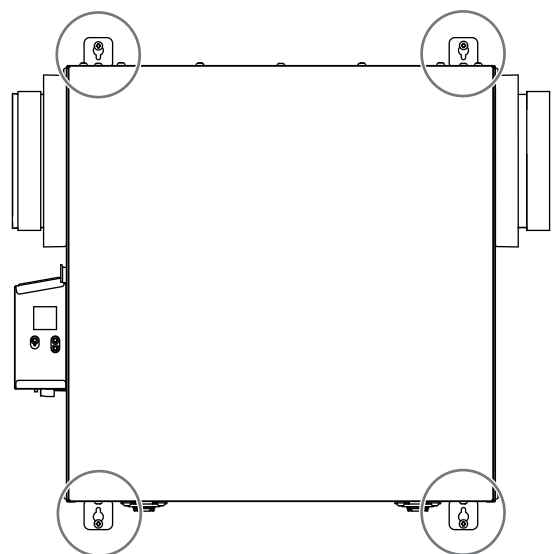
VD0488

INSTALLATION WITH 2 BRACKETS



VD0486

INSTALLATION WITH 4 BRACKETS



VD0487

2.2 INSTALLING THE DUCTWORK AND THE REGISTERS

⚠ WARNING

Never install a stale air exhaust register in a room where there is a combustion device, such as a furnace, gas water heater, fireplace or any appliance or equipment that can generate gaseous contaminants, or pollutants. The negative pressure this could create in the room may impair proper evacuation of the gas or pollutants, which may have severe health consequences.

CAUTION

If ducts have to go through an unconditioned space (e.g.: attic), always use insulated ducts to prevent condensation formation inside and outside ducts, which could cause material damage and/or mold growth. Moreover, if fresh air to building duct and/or stale air from building duct goes/go through an unconditioned space, the unit must be set to operate continuously in cold conditions (below 10°C/50°F). Continuous air movement inside ducts will prevent condensation formation. The unit can be stopped temporarily for maintenance and/or repair purposes in such conditions.

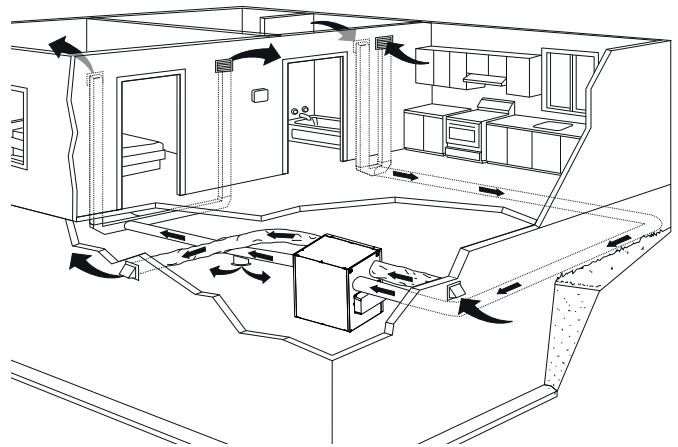
2.2.1 FULLY DUCTED SYSTEM (T-1) (THIS CONFIGURATION ALLOWS RECIRCULATION MODE TO OPERATE.)

STALE AIR FROM BUILDING:

- Install registers in areas where contaminants and humidity are produced: kitchen, bathrooms, laundry room, etc.
- Install registers on an interior wall, 6 to 12 inches away from the ceiling OR in the ceiling.
- Install the kitchen register at least 4 feet away from the range.
- Bathroom fans and range hoods can be used to better exhaust stale air.
- Homes with more than one level require at least one exhaust register at the highest level.

FRESH AIR TO BUILDING:

- Install registers in bedrooms, dining room, living room and basement.
- Install registers in the ceiling OR high on the walls with the airflow directed towards the ceiling.
- If a register must be installed in the floor, direct the airflow up the wall.



NOTE: For this type of configuration, the T-1 option must be selected on the LCD screen when auto-balancing the unit.

2.2.2 EXHAUST DUCTED SYSTEM (T-2) (THIS CONFIGURATION ALLOWS RECIRCULATION MODE TO OPERATE.)

⚠ WARNING

Duct connection to the central forced-air system can be regulated by some codes and standards. It is your responsibility to consider and comply with your local requirements to avoid any non-compliance.

STALE AIR FROM BUILDING:

Same as for Fully Ducted System, described on point 2.2.1.

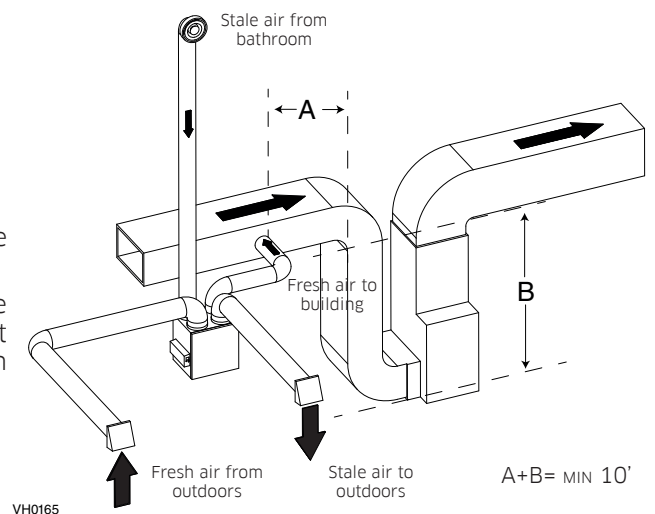
FRESH AIR TO BUILDING:

- Connect the fresh air distribution duct of the unit to the central forced-air system return duct at least 10 feet away from the central forced-air system (A+B)*.

* This 10-ft. distance applies only in areas where the outside temperature falls below the freezing point 0°C (32°F).

NOTE: The central forced-air system blower operation can be synchronized with the unit (see Section 3.3). It is recommended, but not essential that the central forced-air system blower runs when the unit is in operation.

NOTE: For this type of configuration, the T-2 option must be selected on the LCD screen when auto-balancing the unit.

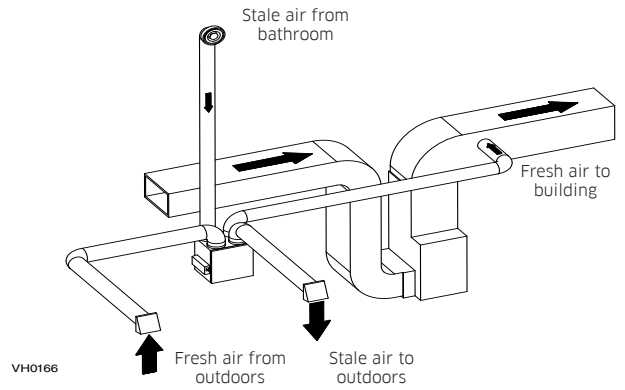


ALTERNATE INSTALLATION (T-3) (THIS CONFIGURATION ALLOWS RECIRCULATION MODE TO OPERATE.)

Unit should be synchronized with central forced-air system operation to avoid condensation and mold growth in central forced-air system distribution ducting if cooling mode of central forced-air system is used.

CAUTION
This configuration is not recommended with high velocity central forced-air system. High pressures produced by these systems could affect unit proper operation and generate errors.

NOTE: For this type of configuration, the T-3 option must be selected on the LCD screen when auto-balancing the unit.



2.2.3 SIMPLIFIED INSTALLATION (T-4) (THIS CONFIGURATION DOES NOT ALLOW RECIRCULATION MODE TO OPERATE.)

CAUTION
The central forced-air system must be synchronized with the unit since fresh air evacuation and distribution come from the same section. The central forced-air system must operate to avoid fresh air to be directly drawn by the evacuation, which would reduce significantly fresh air supply to the building. See Section 3.3 for ducting.

WARNING
Duct connection to the central forced-air system can be regulated by some codes and standards. It is your responsibility to consider and comply with your local requirements to avoid any non-compliance.

Fresh air and exhaust air flow through the central forced-air system ducts, which simplifies the installation. The use of bathroom fans and a range hood is suggested to exhaust stale air.

STALE AIR FROM BUILDING:

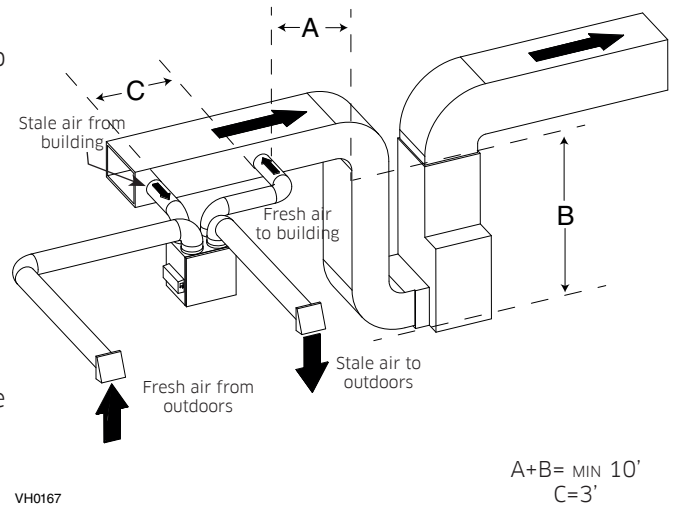
Connect the stale air intake port of the unit to the central forced-air system return duct at least 3 feet ahead of the fresh air distribution from the unit.

FRESH AIR TO BUILDING:

Connect the fresh air distribution duct of the unit to the central forced-air system return duct at least 10 feet away from the central forced-air system (A+B)*.

* This 10-ft. distance applies only in areas where the outside temperature falls below the freezing point 0°C (32°F).

NOTE: For this type of configuration, the T-4 option must be selected on the LCD screen when auto-balancing the unit.

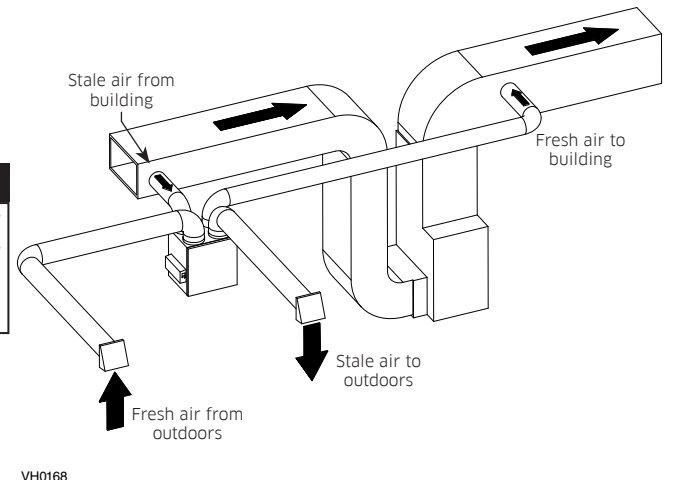


ALTERNATE INSTALLATION (T-5) (THIS CONFIGURATION DOES NOT ALLOW RECIRCULATION MODE TO OPERATE.)

Unit should be synchronized with central forced-air system operation to avoid condensation and mold growth in central forced-air system distribution ducting if cooling mode of central forced-air system is used.

CAUTION
This configuration is not recommended with high velocity central forced-air system. High pressures produced by these systems could affect unit proper operation and generate errors.

NOTE: For this type of configuration, the T-5 option must be selected on the LCD screen when auto-balancing the unit.

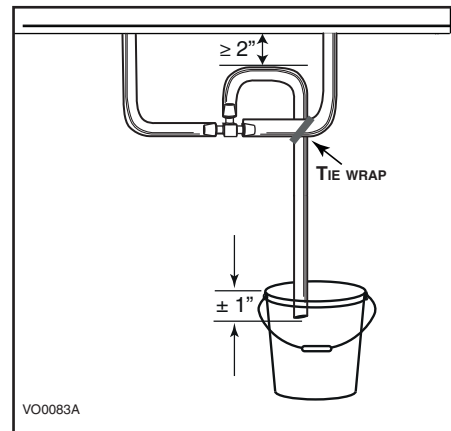
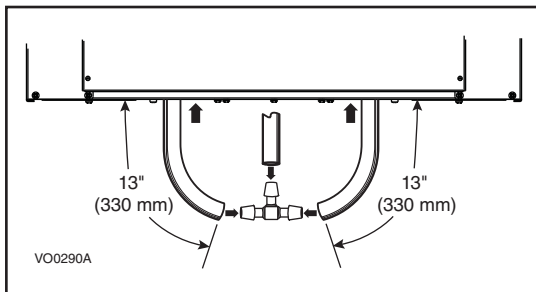


2.3 CONNECTING THE DRAIN (HRV ONLY)

CAUTION

Install the drain hose included and run it to a drain or a pail. This unit may generate a large amount of water in cooler weather. It is necessary to install the drain hose properly to prevent water damage and/or material damage.

- Cut the appropriate length of drain tubing (see illustrations below).
- Connect the tubing to the provided adaptor.
- Make a water trap loop in the tube to prevent the unit from drawing unpleasant odors from the drain source.
- Add water in the loop to prevent noise or hiss.
- Make sure there is a distance of at least 2" between the unit and the tubing loop (see illustration below).
- Using the tie wrap provided, attach the tubing as illustrated below.
- Run the tube to the floor drain or to an alternate drain pipe or pail.
- IMPORTANT: If using a pail to collect water, place the tube end approximately 1" inside the pail in order to prevent water from being drawn back up into the unit.

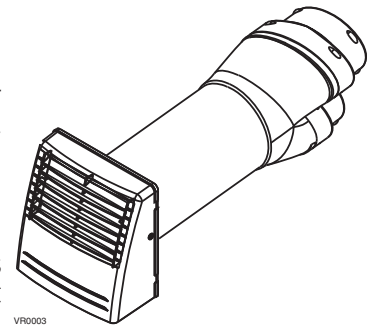


2.4 INSTALLING DUAL EXTERIOR HOOD USING TANDEM® TRANSITION KIT (OPTIONAL)

For units set at 110 CFM or less, a Tandem transition kit can be used instead of 2 exterior hoods; but take into account this device will generate approximately an additional 0.2 in w.g. static pressure depending on the installation.

The minimum joist opening needed to install the Tandem® transition is 9¾". The maximum height of the Tandem transition is 8¾".

To connect the insulated flexible ducts to the Tandem transition (Exhaust air to outdoors and Fresh air from outdoors), follow the instructions included with the Tandem transition kit (part no.14690).



2.5 INSTALLING THE EXTERIOR HOODS

To avoid cross-contamination:

- Keep at least 6 feet between both hoods OR use approved combined hoods model 14690.
- Install hood(s) at least at 18 inches away from the ground OR depth of expected snow accumulation, whichever is greater.

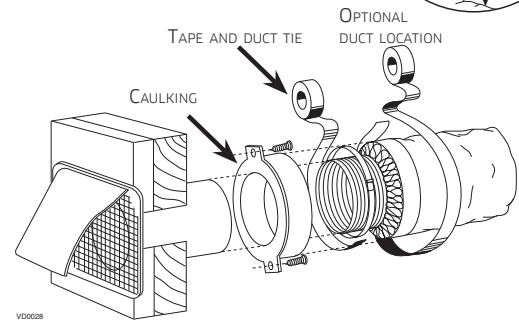
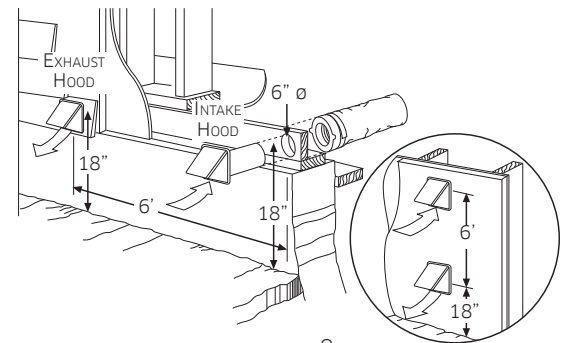
⚠ WARNING

Make sure intake hood is at least 6 feet (1.8 m) away from any of the following:

- Dryer exhaust, high efficiency central forced-air system vent, central vacuum vent
- Gas meter exhaust, gas barbecue-grill
- Any exhaust from a combustion source
- Garbage bin and any other source of contamination.

Ignoring these recommendations could significantly degrade the quality of the incoming air which, in some cases, could result in health consequences.

In the event of a conflict between our conditions and local requirements, the latter will have priority.



Refer to illustration above for proper connection method of the insulated ducts to the hoods. An “Anti-Gust Intake Hood” should be installed in regions where a lot of snow is expected to fall.

2.6 CONNECTING THE DUCTS TO THE UNIT

CAUTION

- If ducts have to go through an unconditioned space (e.g.: attic), always use insulated ducts to prevent condensation formation inside and outside ducts, which could cause material damage and/or mold growth.
- Do not use screws to connect the ducts or transitions to the ports so as not to interfere with ports inner dampers operation. A non-functioning damper could freeze the unit, which could cause damages.

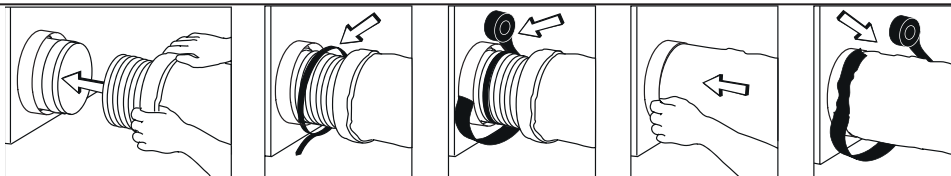
INSULATED FLEXIBLE DUCTS

Use the following procedure to connect the insulated flexible ducts to the ports of the unit (exhaust to outside and fresh air from outside).

1. Expose the flexible duct by pulling back the insulation, and place it **over** the inner port ring.
2. Attach the flexible duct to the port using a tie wrap.
3. Seal the joint using duct tape.
4. Pull the insulation and vapor barrier over the joint, tuck them **between the inner and outer rings** of the double collar and fasten them in place using duct tape.

CAUTION

The vapor barrier should remain intact and free of cracks or openings. An opening could produce condensation inside or outside duct, which could cause material damage and/or mold growth in the long run.



VJ0157

TRANSITIONING TO 6-IN. DUCTS (FOR 110, 130 AND 150 CFM UNITS ONLY)

If using 6-in. ducts, install 5-in. to 6-in. transitions on the ports, and secure using duct tape only. If rigid ducting is used, install a 12-in. section of flexible duct between the transition and the rigid ducting (see above).

RIGID DUCTS

To prevent potential water leakage in cold side rigid ducting insulation, seal all rigid ducting joints with duct tape.

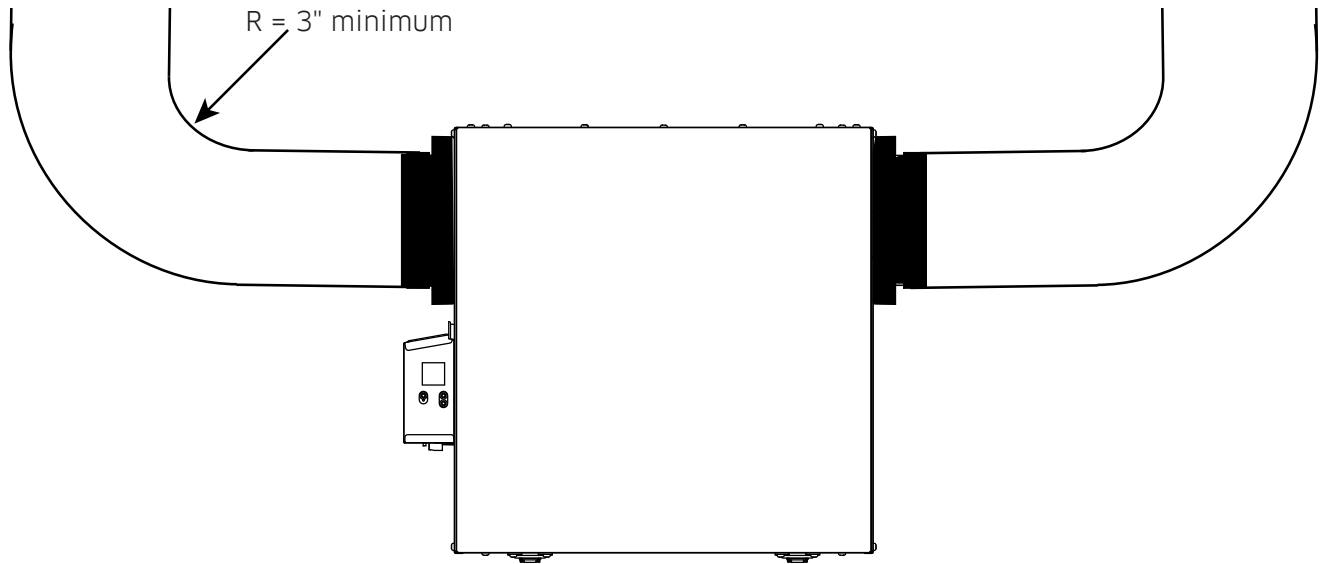
To avoid transmission of vibrations, always use a 12-inch section of flexible duct to connect rigid ducts to the unit. To connect insulated rigid ducts to the unit (cold side) using insulated flexible ducts, follow instructions in section 2.5. To connect regular rigid ducts (warm side) to the unit using non-insulated flexible ducts, use a tie wrap.

NOTE: It is recommended to use 6" ducting instead of 5" ducting for 150H75NT, 150H75NS, 150E75NT and 150E75NS units if required airflow is over 130 CFM. It will prevent having too high static pressure in the ducting.

2.6.1 DUCTS CONNECTION

IMPORTANT: Make sure to connect ducting as illustrated below to get airflows reading accuracy. Correct installation will also allow proper drainage of water that may accumulate in ducting.

CORRECT INSTALLATION



VD0489

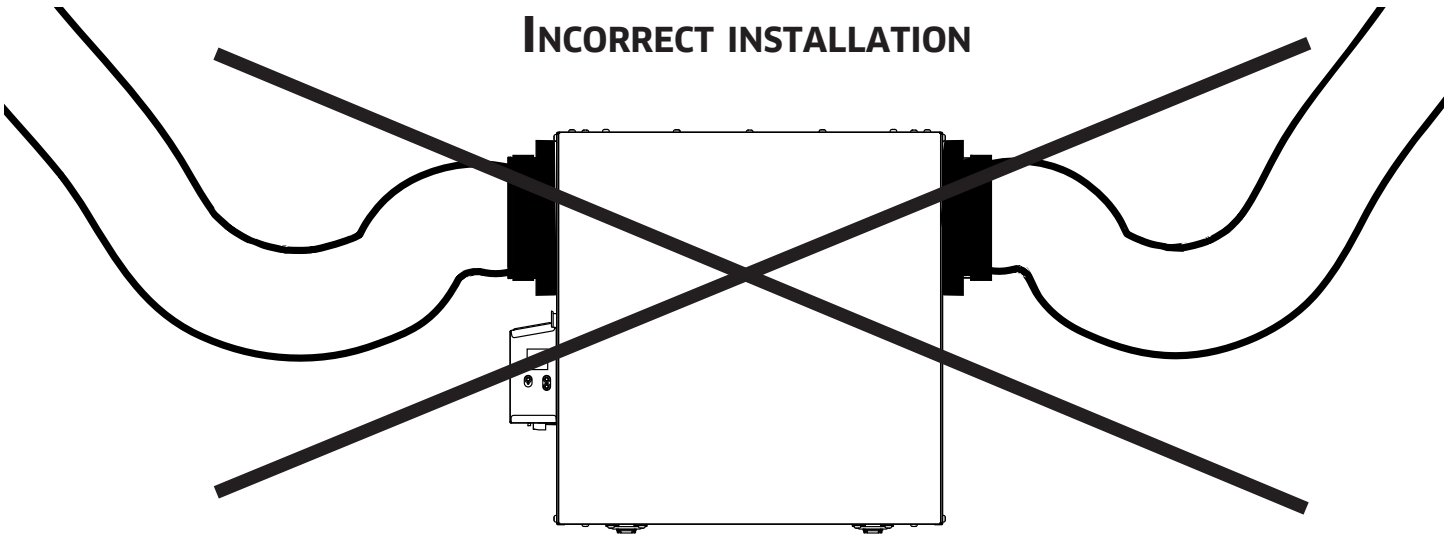
CAUTION

Ducting must not be too crushed. Otherwise, airflows reading accuracy will be affected.

CAUTION

Insulated ducts must have the same diameter as the ports to ensure proper drainage of water that may accumulate in ducts.

INCORRECT INSTALLATION



VD0490

NOTE: Route ducts as straight as possible, minimize the number of elbows and design and install ducts in accordance with HRAI best practices.

3. CONNECTIONS

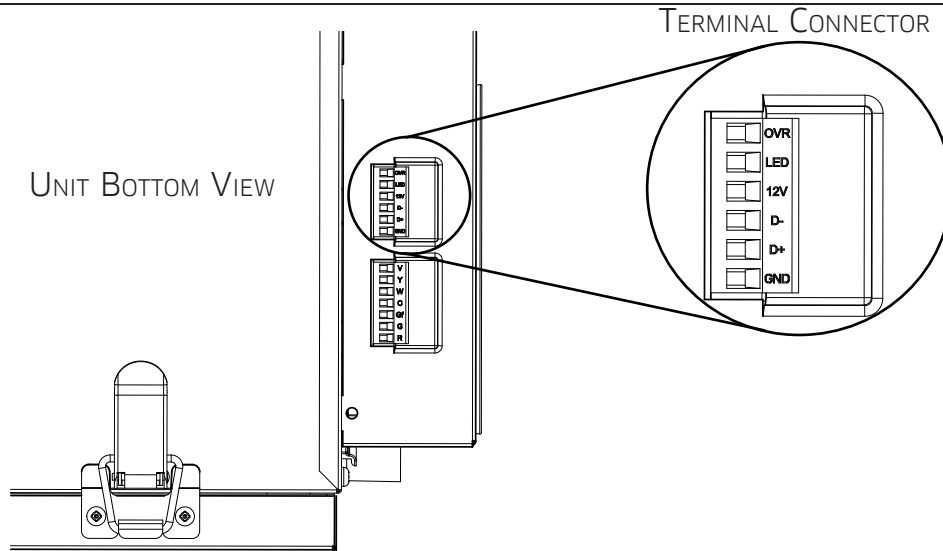
3.1 ELECTRICAL CONNECTION TO OPTIONAL MAIN WALL CONTROL

⚠ WARNING

Always disconnect the unit before making any connections. Failure to cut power could result in electrical shock or damage to the wall control or electronic module inside the unit.

CAUTION

Never install more than one optional main wall control per unit. Make sure that the wires do not short-circuit between themselves or by touching any other components on the wall control. Avoid poor wiring connections. To reduce the risk of electrical interference (noise), do not run wall control wiring next to control contactors or near light dimming circuits, electrical motors, dwelling/building power or lighting wiring or power distribution panel.

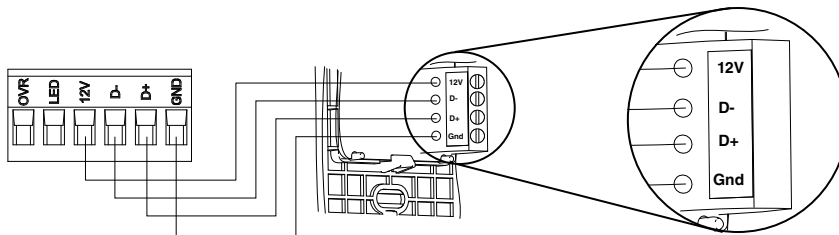


HD0491

Use the terminal connector included to perform the electrical connection for optional main wall control. Check if all wires are correctly inserted in their corresponding holes in the terminal connector. Use screws to fix wires in the terminal connector. Once the wall control connections have been made, insert the terminal connector in the electrical compartment.

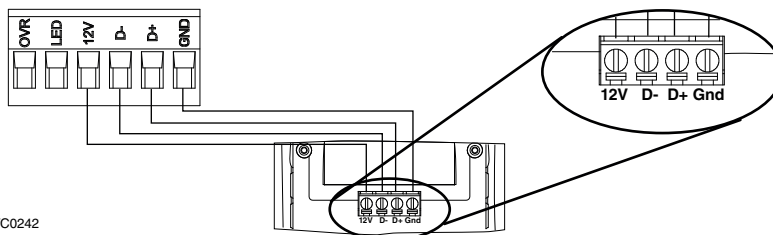
NOTE: For information about the operation of the wall control, refer to the corresponding Installation and User Guide, available at www.vanee.ca or www.venmar.ca.

3.1.1 ELECTRICAL CONNECTION TO DEHUMIDISTAT OR AUTOMATIC OPTIONAL MAIN WALL CONTROL



VC0241

3.1.2 ELECTRICAL CONNECTION TO ADVANCED OPTIONAL MAIN WALL CONTROL

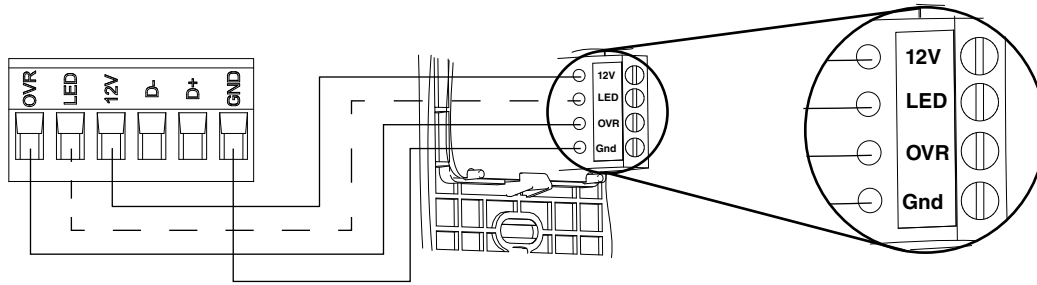


VC0242

3. CONNECTIONS (CONT'D)

3.2 ELECTRICAL CONNECTION TO OPTIONAL AUXILIARY WALL CONTROL

3.2.1 ELECTRICAL CONNECTION TO 20-40-60 OPTIONAL AUXILIARY WALL CONTROL

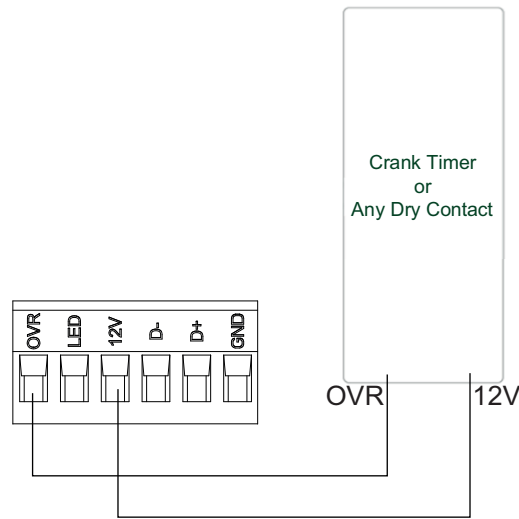


VC0243

When configuring OVR option on the LCD screen, choose among these 3 configurations: BAL (the unit remains balanced while providing maximum airflow), PER (the unit is slightly unbalanced since the distribution motor is in MAX speed while allowing maximum exhaust ventilation) and DIS (the unit is unbalanced since air distribution is constant despite a higher need in exhaust ventilation).

NOTE : The auxiliary wall control can be used with a 3-wire connection by removing the LED signals. This optional wiring will not allow an installation with more than 1 auxiliary wall control to properly synchronize their LEDs on an event requested from a peer. Only the auxiliary wall control having requested the timer event will have the LEDs updated accordingly.

3.2.2 ELECTRICAL CONNECTION TO DRY CONTACT OPTIONAL AUXILIARY WALL CONTROL (E.G. CRANK TIMER)



VC0256A

⚠ WARNING

A miswiring that sends a 24 VAC signal to the 6-position terminal block (OVR, LED, 12V, D-, D+, GND) could permanently damage the control circuit. Verify carefully wire connections before powering-up the unit.

3.3 CONNECTION TO THE CENTRAL FORCED-AIR SYSTEM

⚠ WARNING

Never connect a 120-volt AC circuit to the terminals of the central forced-air system interlock (standard wiring). Only use the low voltage class 2 circuit of the central forced-air system blower control. The unit is designed for low voltages only. Connecting the unit on 120-volt circuit would damage it instantly.

3.3.1 UNIT OPERATION USING A DRY CONTACT CONNECTION

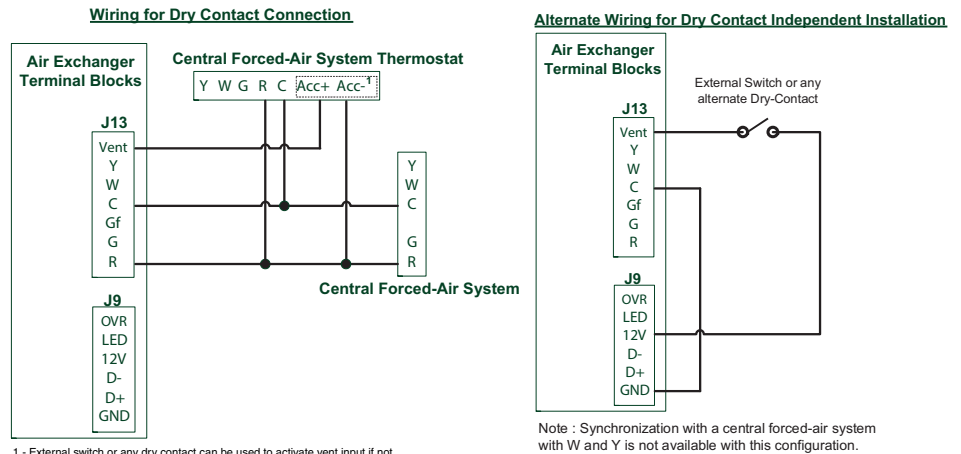
This unit can be controlled by any dry contact connection such as the thermostat equipped with an optional ventilation output.

Once wired, unit will toggle between the Standby mode when contact is opened and the selected mode when contact is closed. Choose among these 4 configurations: minimum (unit operating in MIN speed), intermittent (unit operating in MIN speed 20 min/hr then as per INT configuration selection for 40 min), auto* (unit operating according to outdoor temperature) and maximum (unit operating in MAX speed) in DRY option on the LCD screen when the VENT contact is activated. Refer to section 5 for more details.

* In auto mode, the unit will operate as follows:

- Less than -25°C = 10 min/hr
- -25°C to -7°C = 20 min/hr
- -7°C to 10°C = 40 min/hr
- 10°C to 25°C = MIN speed
- 25°C to 28°C = 30 min/hr
- 28°C to 33°C = 20 min/hr
- Above 33°C = 10 min/hr

3.3.2 UNIT INTERCONNECTION WITH CENTRAL FORCED-AIR SYSTEM (R/C/G/Gf)

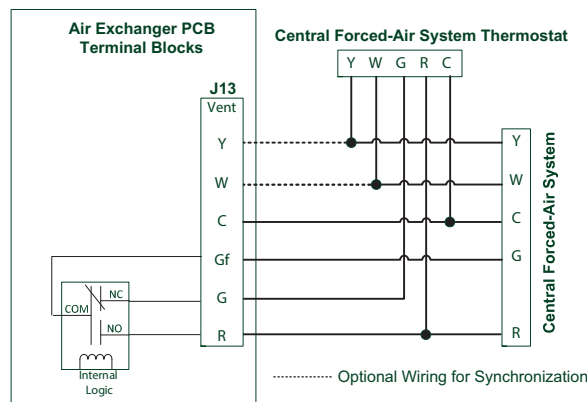


1 - External switch or any dry contact can be used to activate vent input if not available on the thermostat. Some thermostats offer a single wire 24VAC output for accessory ventilation. It can be directly connected to vent input and therefore the Acc- / R connection is not required.

NOTE : This dry contact option will override the main wall control so we do not recommend the use of a wall control with this type of connection.

NOTE : Following ducting installation configuration and temperature conditions, it may be necessary for the unit to operate continuously. Refer to section 2.2 for more details.

Wiring Options with Central Forced-Air System



These connections must be done if you want the unit to force the central forced-air system blower operation when ventilating (refer to solid lines in above diagram).

NOTE: These connections are required for installation configuration T-4. Refer to section 2.2 for more details.

3.3.3 SYNCHRONIZATION WITH CENTRAL FORCED-AIR SYSTEM FUNCTION

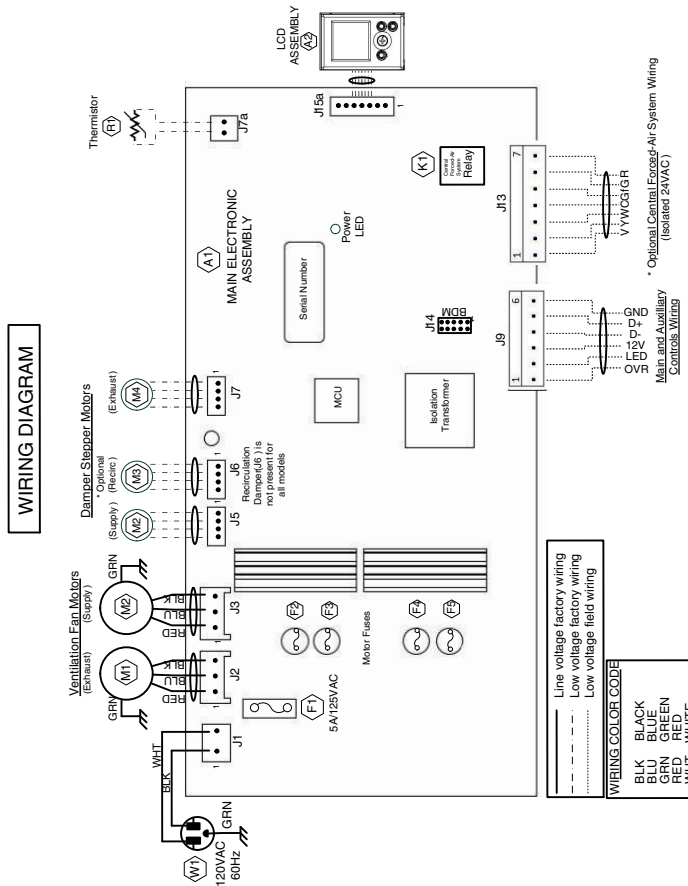
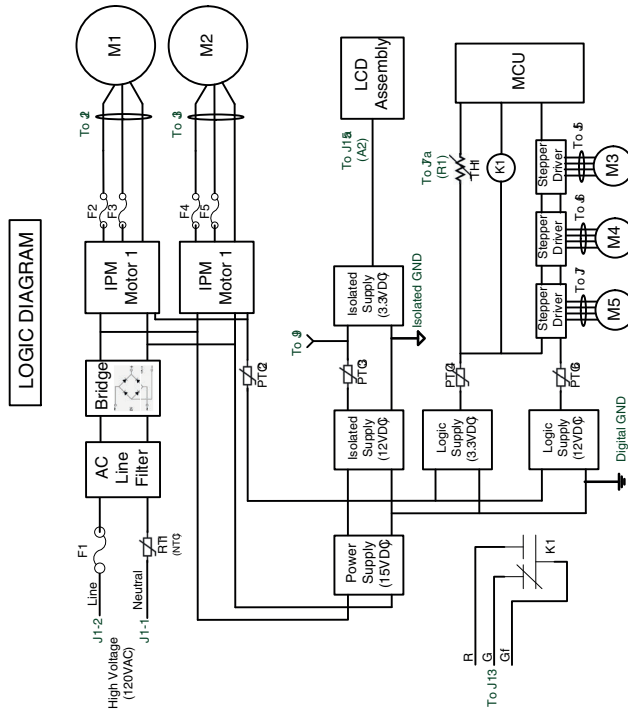
The Virtuo technology allows synchronizing the unit operation with the central forced-air system operating time. It prevents unnecessary central forced-air system operating time while providing a better air distribution.

To use this function, W and Y connections must be added to R and C connections to inform the unit that the central forced-air system is running (refer to dotted lines in above diagram).

4. WIRING DIAGRAM

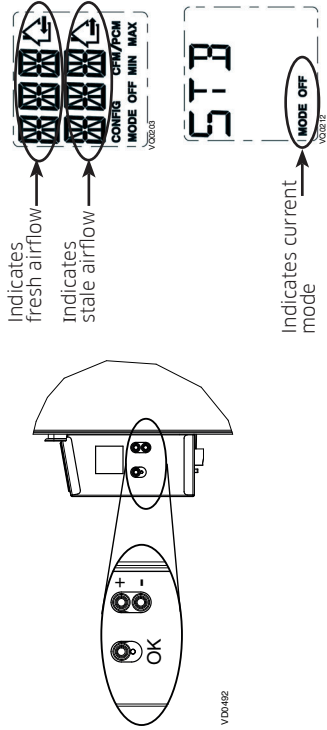
⚠ WARNING

- Risk of electric shocks. Before performing any maintenance or servicing, always disconnect the unit from its power source.
- This product is equipped with an overload protection (fuse). A blown fuse indicates an overload or a short-circuit situation. If the fuse blows, unplug the product from the outlet. Discontinue using the unit and contact technical support.



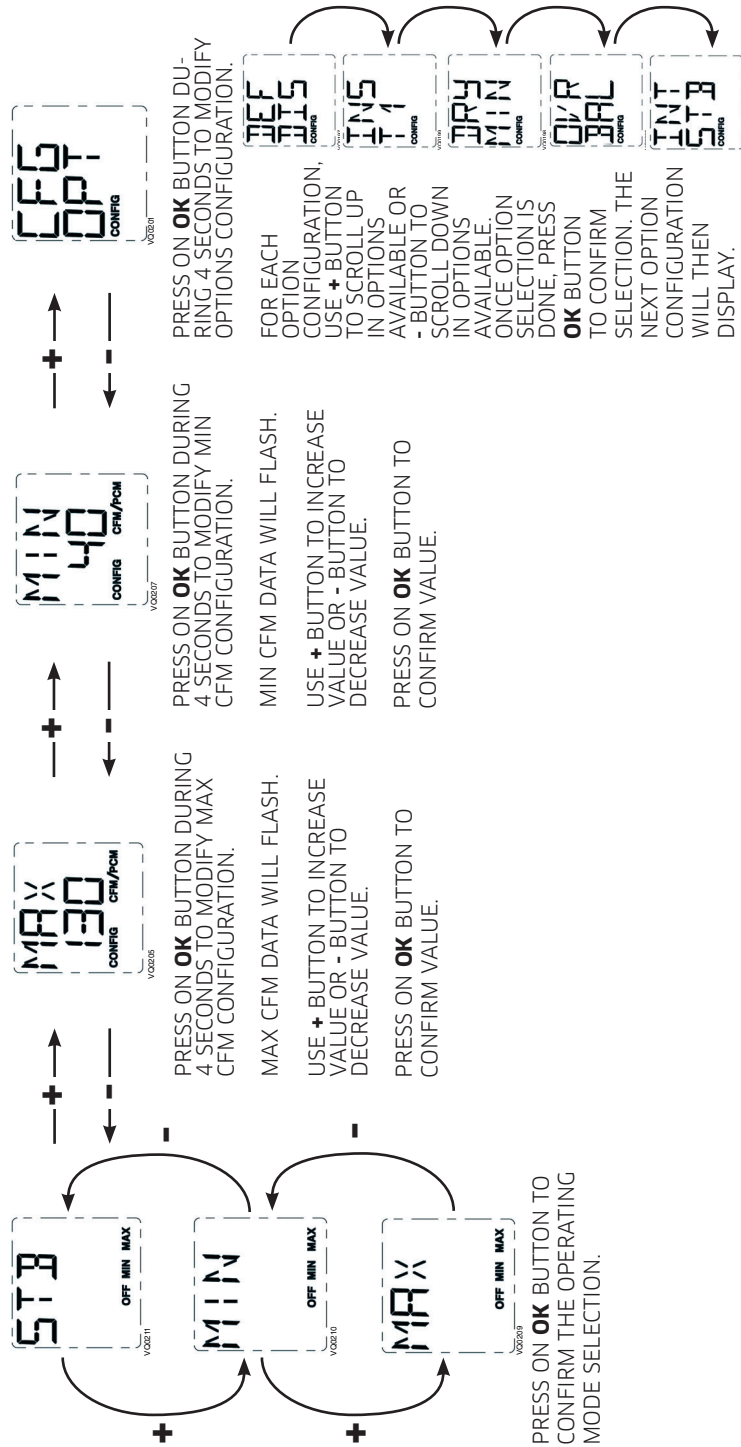
5. NAVIGATION ON LCD SCREEN

OK button	To confirm a selection.
+ button	To increase a value.
- button	To scroll up in a selection. To decrease a value.
	To scroll down in a selection.



PRESS ON **OK** BUTTON TO CHANGE THE OPERATING MODE. PRESS ON **+** BUTTON OR **-** BUTTON TO MODIFY MAX CFM, MIN CFM OR OPTIONS CONFIGURATION.

USE **+** BUTTON OR **-** BUTTON TO SELECT THE DESIRED OPERATING MODE.



5.1 LCD SCREEN

DISPLAY	DEFINITION
STB	Standby mode
MED	MED speed
INT	Intermittent mode
REC	Recirculation mode (Min, Med or Max speed)
AUT	AUTO mode
SMT	SMART mode
OVR 20	Override 20 min
OVR 40	Override 40 min

DISPLAY	DEFINITION
OVR 60	Override 60 min
OVR CNT	Override by dry contact
AHU	Refer to section 6.3 for explanation
HUM	Humidistat or Dehumidistat override
TUR	Turbo mode
OTH	Away mode or Scheduling mode
DEF	Defrost mode
EXX or WXX (XX referring to error or warning number)	Refer to section 8 for each error/warning explanation

5.2 UNIT FIRST BOOT

PREPARATION

Follow these steps to ensure accurate measurements:

- Seal all the ductwork with tape. Close all windows and doors.
- Turn off all exhaust devices such as range hood, dryer and bathroom fans.
- If the installation is in any way connected to a ductwork of a central forced-air system, make sure that the central forced-air system blower is ON. If not, leave central forced-air system blower OFF.

AUTO-BALANCING PROCEDURE

- Plug the unit and wait for the maximum CFM to display on the LCD screen. If unit is colder than ambient temperature, it is normal to experience a 60 s longer boot-up since motors have to preheat.
- The maximum CFM will display on the LCD screen. Use (+/-) to adjust the CFM and OK to confirm.
- The minimum CFM will display on the LCD screen. Use (+/-) to adjust the CFM and OK to confirm.
- The house that flashes on the LCD screen indicates which side currently limits the airflow (supply or exhaust). If the airflow reached is not sufficient, the installer can improve the installation to increase airflow.

INSTALLATION CONFIGURATION SELECTION

- INS will display on the LCD screen. Choose among T-1, T-2, T-3, T-4 or T-5 following the installation configuration (Refer to section 2.2 for more details).
- Auto-balancing is completed.

5.3 SETTINGS MODIFICATION

5.3.1 PROCEDURE TO MODIFY MIN CFM SETTING

- Go to MIN using (+/-) then press on the OK button for 4 seconds.
- Use (+/-) to increase/decrease CFM and OK to confirm.

5.3.2 PROCEDURE TO MODIFY MAX CFM SETTING

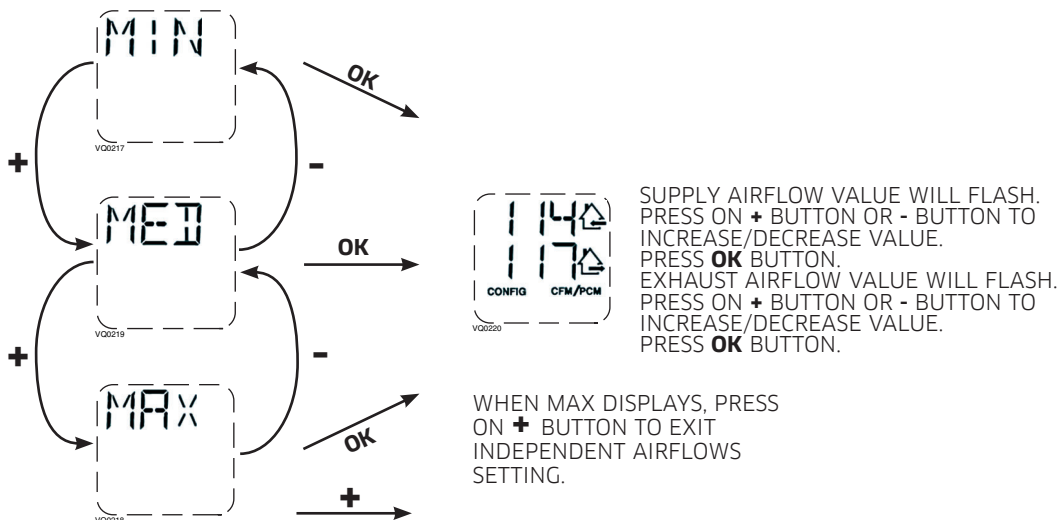
- Go to MAX using (+/-) then press on the OK button for 4 seconds.
- Use (+/-) to increase/decrease CFM and OK to confirm.

5.3.3 PROCEDURE TO MODIFY OPTIONS SETTING

- Go to CFG OPT using (+/-) then press on the OK button for 4 seconds.

5.3.4 PROCEDURE TO MODIFY INDEPENDENT AIRFLOWS SETTING

- Press simultaneously (+/-) buttons for 4 seconds.



Options	Configurations available
DEF (Defrost)	DIS* (Discretion - defrost without speed variation for more comfort), PLU (Plus - extended defrost for colder areas)
INS (Installation)	T-1, T-2, T-3, T-4*, T-5 (Refer to section 2.2)
DRY (Dry contact)	MIN* (Minimum), INT (Intermittent), AUT (AUTO), MAX (Maximum) (Refer to section 3.3.1)
OVR (Override)	BAL* (Balanced), PER (Performance), DIS (Discretion) (Refer to section 3.2.1)
INT (Intermittent)	STB* (Standby - 20 min in MIN speed and 40 min in standby mode), REC** (Recirculation - 20 min in MIN speed and 40 min in recirculation mode) **REC (Recirculation) configuration is not available for T-2 to T-5 installation configurations nor for 150H75NT, 150H75NS, 150E75NT and 150E75NS units. NOTE: Following ducting installation configuration and temperature conditions, it may be necessary for the unit to operate continuously. Refer to section 2.2 for more details.

* Factory setting

NOTE: If no selection is confirmed within 10 minutes, the unit will exit the menu without saving any changes.

5.4 FACTORY SETTINGS RESET

If any change is made to the ducting, reset settings to restart the airflow test.

PROCEDURE TO RESET SETTINGS

Press on the OK and (-) buttons simultaneously for 4 seconds. Use (+/-) to select Yes or No and OK to confirm. Then perform the auto-balancing procedure.

6. USING THIS UNIT

6.1 YOUR VENTILATION SYSTEM

This balanced ventilation unit is designed to provide fresh air to your home while exhausting stale, humid air. Thanks to its energy/heat recovery module, the unit recovers a large proportion of heat or energy that is part of indoor or outdoor air according to the seasons to improve comfort and energy efficiency during the heating and the cooling periods. With the Virtuo Air Technology™, this unit responds to the variations in its environment in an autonomous way, ensuring to provide a proper level of ventilation and air quality. This unit also features automatic modes (AUTO or SMART) that manage autonomously the required ventilation level as per indoor and/or outdoor conditions. In colder areas, the unit will perform, at intervals, recovery module discreet defrost to maintain performance and comfort.

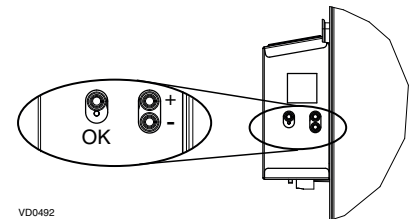
6.2 INTEGRATED CONTROL

All units are equipped with an integrated control, located in front of the electrical compartment. For more convenience, these units can be controlled using an optional wall control or the central forced-air system thermostat equipped with external fan activation.

MODE SELECTION

- To change the mode, use (+/-) to access the Mode screen. Press OK to edit the mode and use (+/-) to change the mode (Standby, Min, Max).
- Press OK to confirm selection. The airflows will be displayed for both MIN and MAX modes.

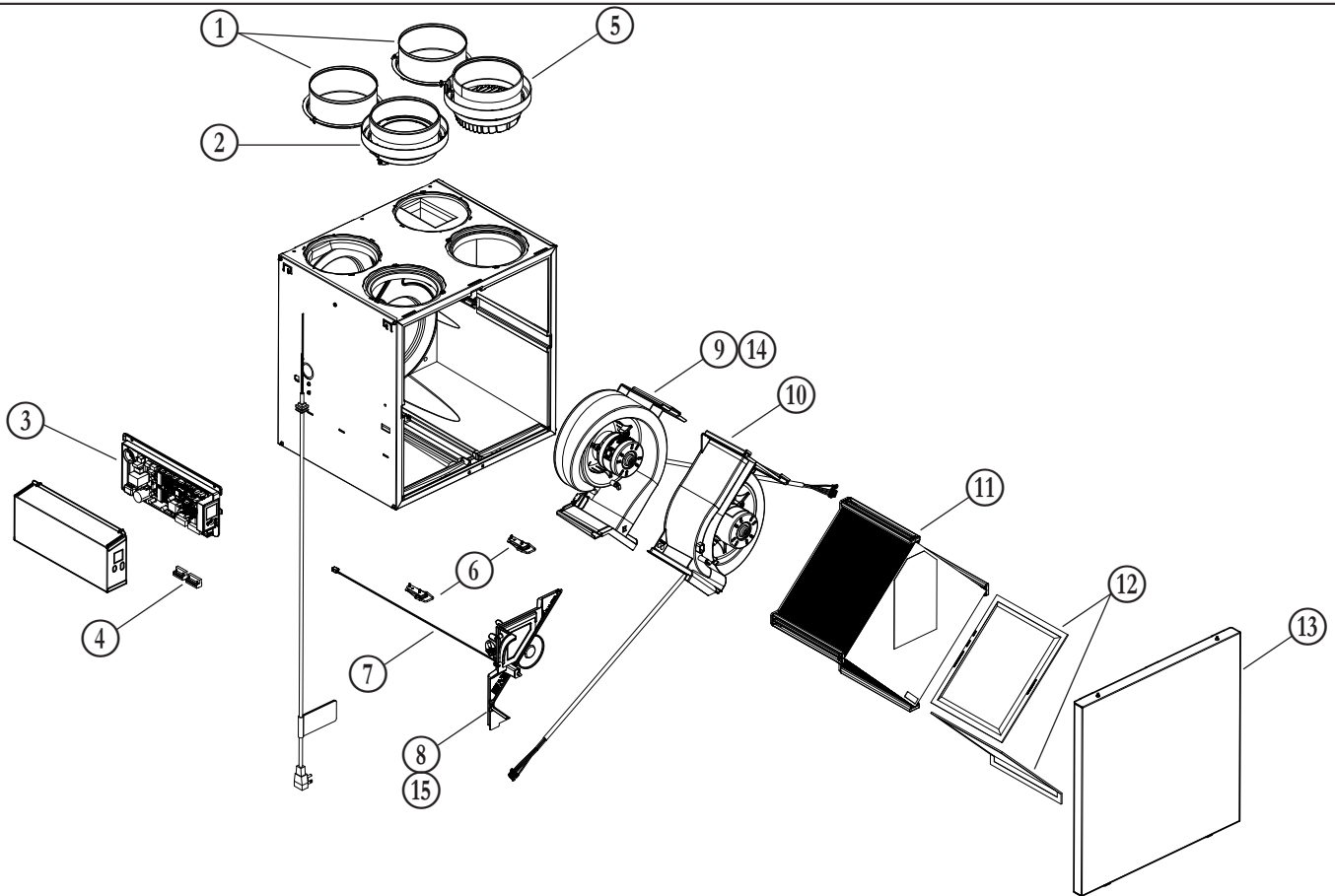
NOTE: If an optional auxiliary wall control or the central forced-air system thermostat equipped with external fan activation is used, it overrides the integrated control.



6.3 AHU MODE DISPLAY

Depending on unit configuration and/or installation, the unit could not be able to reach desired minimum CFM. This situation could happen with configurations T-2 to T-5. In such a case, AHUXX (XX referring to desired minimum CFM value) will display on LCD screen. In AHU mode, the unit operates in intermittent mode to reach desired minimum CFM value. Intermittent mode duration varies as per desired minimum CFM value.

7. SERVICE PARTS



VL0086

ITEM	DESCRIPTION	PART NUMBER	A110H65RT/RS	V110H65RT/RS	A130H65RT/RS	V130H65RT/RS	A130E65RT/RS	V130E65RT/RS	A160H65RT/RS	V160H65RT/RS	A160E65RT/RS	V160E65RT/RS	A160H75RT/RS	V160H75RT/RS	A160E75RT/RS	V160E75RT/RS	A150H75NT/NS	V150H75NT/NS	A150E75NT/NS	V150E75NT/NS	
1	6" port warm side	SV66139							2	2											
	5" port warm side	SV66140	2	2	2	2	2	2									2	2	2	2	
2	6" metal port motorized damper	SV66135							1	1	1	1	1	1	1						
	5" metal port motorized damper	SV66136	1	1	1	1	1	1									1	1	1	1	
3	Electronic assembly	SV66144**	1	1	1	1	1	1	1	1	1	1	1	1	1	1	1	1	1	1	1
4	Terminal blocks	SV66145	1	1	1	1	1	1	1	1	1	1	1	1	1	1	1	1	1	1	1
5	6" exhaust port assembly	SV66137							1	1	1	1	1	1	1						
	5" exhaust port assembly	SV66138	1	1	1	1	1	1									1	1	1	1	
6	Door latches and keepers for door	SV61218	1	1	1	1	1	1	1	1	1	1	1	1	1	1	1	1	1	1	1
7	Thermistor	SV66134	1	1	1	1	1	1	1	1	1	1	1	1	1	1	1	1	1	1	1
8	Recirculation damper with thermistor	SV66148	1	1	1	1	1	1	1	1	1	1	1	1	1					1	1
9	Exhaust blower with damper	SV66142	1	1	1	1	1	1	1	1	1	1	1	1	1	1	1	1	1	1	1
10	Supply blower assembly	SV66141	1	1	1	1	1	1	1	1	1	1	1	1	1	1	1	1	1	1	1
11	Core ERV 65 %	SV66113					1	1			1	1									
	Core ERV 75 %	SV66114														1	1			1	1
	Core HRV 65 %	SV66115	1	1	1	1			1	1											
	Core HRV 75 %	SV66116											1	1			1	1			
12	MERV8 filters kit	SV66133	1	1	1	1	1	1	1	1	1	1	1	1	1	1	1	1	1	1	1
		SV66150	1		1		1		1		1		1		1		1		1		1
13	Door	SV66151		1		1		1		1		1		1		1		1		1	
		SV66143	1	1	1	1	1	1	1	1	1	1	1	1	1	1	1	1	1	1	1
15	Separator WE with thermistor	SV66149															1	1			
*	Hardware kit	SV66146	1	1	1	1	1	1	1	1	1	1	1	1	1	1	1	1	1	1	1
*	Fuse for PCB	SV66147	1	1	1	1	1	1	1	1	1	1	1	1	1	1	1	1	1	1	1
*	½" hose	SV00592	1	1	1	1	1	1	1	1	1	1	1	1	1	1	1	1	1	1	1

* Not shown.

** See next page to get the part number that corresponds to the ventilation unit model.

7. SERVICE PARTS (CONT'D)

ELECTRONIC ASSEMBLY PART NUMBER	VENTILATION UNIT MODEL																		
	A/V110H65RS	A/V110H65RT	A/V130H65RS	A/V130H65RT	A/V160H65RS	A/V160H65RT	A/V150H75NS	A/V150H75NT	A/V160H75RS	A/V160H75RT	A/V130E65RS	A/V130E65RT	A/V160E65RS	A/V160E65RT	A/V150E75NS	A/V150E75NT	A/V160E75RS	A/V160E75RT	
SV66144-01	X																		
SV66144-02		X																	
SV66144-03			X																
SV66144-04				X															
SV66144-05					X														
SV66144-06						X													
SV66144-07							X												
SV66144-08								X											
SV66144-09									X										
SV66144-10										X									
SV66144-11											X								
SV66144-12												X							
SV66144-13													X						
SV66144-14														X					
SV66144-19															X				
SV66144-20																X			
SV66144-17																	X		
SV66144-18																		X	

REPLACEMENT PARTS AND REPAIRS

In order to ensure your ventilation unit remains in good working condition, you must use the manufacturer's genuine replacement parts only. The manufacturer's genuine replacement parts are specially designed for each unit and are manufactured to comply with all the applicable certification standards and maintain a high standard of safety. Any third party replacement part used may cause serious damage and drastically reduce the performance level of your unit, which will result in premature failing. The manufacturer recommends to contact a certified service depot for all replacement parts and repairs.

8. INSTALLER'S TROUBLESHOOTING

⚠ WARNING

The wearing of safety glasses and gloves is recommended since a few diagnosis procedures may require the unit to be in operation while proceeding. Be careful with moving and live parts to prevent any risk of injury.

ERROR	DESCRIPTION	SOLUTION
E01	Supply damper range	<p>STEP 1: Unplug unit, inspect the damper system, remove any undesirable obstacle or dirt (filters and core may have to be removed to access the damper system). Plug unit.</p> <p>If STEP 1 did not fix the problem, perform STEP 2: Open electrical compartment, check if connector J5 (white) is well inserted, check for any loose wires.</p> <p>If STEP 2 did not fix the problem, perform STEP 3: If the damper is not moving at all, unplug J7 (red) from the electronic assembly, connect the white damper system connector into J7. If the damper moves (but the system still shows an error), the electronic assembly must be replaced. Otherwise, replace the damper system.</p>
E02	Supply damper timeout	
E03	Supply damper	
E05	Exhaust damper range	<p>STEP 1: Unplug the unit, inspect the damper system, remove any undesirable obstacle or dirt (filters and core may have to be removed to access the damper system). Plug the unit.</p> <p>If STEP 1 did not fix the problem, perform STEP 2: Open electrical compartment, check if connector J7 (red) is well inserted, check for any loose wires.</p> <p>If STEP 2 did not fix the problem, perform STEP 3: If the damper is not moving at all, unplug J5 (white) from the electronic assembly, connect the white damper system connector into J5. If the damper moves (but the system still shows an error), the electronic assembly must be replaced. Otherwise, replace the damper system.</p>
E06	Exhaust damper timeout	
E07	Exhaust damper	
E09	Recirculation damper range	<p>STEP 1: Unplug the unit, inspect the damper system, remove any undesirable obstacle or dirt (filters and core may have to be removed to access the damper system). Plug the unit.</p> <p>If STEP 1 did not fix the problem, perform STEP 2: Open electrical compartment, check if connector J6 (blue) is well inserted, check for any loose wires.</p> <p>If STEP 2 did not fix the problem, perform STEP 3: If the damper is not moving at all, unplug J5 (white) from the electronic assembly, connect the blue damper system connector into J5. If the damper moves (but the system still shows an error), the electronic assembly must be replaced. Otherwise, replace the damper system.</p>
E10	Recirculation damper timeout	
E11	Recirculation damper	
E22	Supply airflow	<p>STEP 1: Unplug the unit. Perform a visual inspection of the supply damper system. Clean filters, distribution registers and outside supply hood. Inspect ducting to ensure it is not squeezed or bent. Plug the unit.</p> <p>If STEP 1 did not fix the problem, perform STEP 2: Remove ducting of the supply path. On the LCD screen, select MAX to check if the unit is able to reach the selected flow. If so, review the ducting path.</p> <p>If STEP 2 did not fix the problem, perform STEP 3: On the LCD screen, select the MIN and MAX flow setting values then reset the unit. MAX flow value will display on the LCD screen. If MAX flow is above desired MAX flow, set MAX and MIN flows.</p> <p>If STEP 3 did not fix the problem, perform STEP 4: Replace the supply blower and repeat STEP 3.</p> <p>If STEP 4 did not fix the problem, perform STEP 5: Replace the electronic assembly.</p>
E23	Supply motor (drive over current)	<p>STEP 1: Unplug/plug unit.</p> <p>If STEP 1 did not fix the problem, perform STEP 2: Remove core and clear the ventilation wheel from any dirt or obstacles.</p> <p>If STEP 2 did not fix the problem, perform STEP 3: Disconnect J2 (white) and connect a spare blower system. If it works, replace supply blower.</p> <p>If STEP 3 did not fix the problem, perform STEP 4: Replace the electronic assembly.</p>
E27	Supply motor (drive foc duration)	
E28	Supply motor (drive speed feedback)	
E29	Supply motor (startup)	
E24	Supply motor (drive over voltage)	<p>STEP 1: Unplug/plug unit. Under and over voltage may be detected with severe in-house power supply fluctuation and stop the motor for protection.</p> <p>If STEP 1 did not fix the problem, perform STEP 2: Replace the electronic assembly.</p>
E25	Supply motor (drive under voltage)	

8. INSTALLER'S TROUBLESHOOTING (CONT'D)

ERROR	DESCRIPTION	SOLUTION
E26	Supply motor (drive over temp)	STEP 1: Validate if the air exchanger is exposed to ambient temperatures within the operating limits (see p. 4) If STEP 1 did not fix the problem, perform STEP 2: Replace the electronic assembly.
E32	Exhaust airflow	STEP 1: Unplug the unit. Perform a visual inspection of the exhaust damper system. Clean filters, distribution registers and outside supply hood. Inspect ducting to ensure it is not squeezed or bent. Plug the unit. If STEP 1 did not fix the problem, perform STEP 2: Remove ducting of the supply path. On the LCD screen, select MAX to check if the unit is able to reach the selected flow. If so, review the ducting path. If STEP 2 did not fix the problem, perform STEP 3: On the LCD screen, select the MIN and MAX flow setting values then reset the unit. MAX flow value will display on the LCD screen. If MAX flow is above desired MAX flow, set MAX and MIN flows. If STEP 3 did not fix the problem, perform STEP 4: Replace the exhaust blower and repeat STEP 3. If STEP 4 did not fix the problem, perform STEP 5: Replace the electronic assembly.
E33	Exhaust motor (drive over current)	STEP 1: Unplug/plug unit.
E37	Exhaust motor (drive foc duration)	If STEP 1 did not fix the problem, perform STEP 2: Remove core and clear the ventilation wheel from any dirt or obstacles.
E38	Exhaust motor (drive speed feedback)	If STEP 2 did not fix the problem, perform STEP 3: Disconnect J3 (red) and connect a spare blower system. If it works, replace exhaust blower.
E39	Exhaust motor (startup)	If STEP 3 did not fix the problem, perform STEP 4: Replace the electronic assembly.
E34	Exhaust motor (drive over voltage)	STEP 1: Unplug/plug unit. Under and over voltage may be detected with severe in-house power supply fluctuation and stop the motor for protection.
E35	Exhaust motor (drive under voltage)	If STEP 1 did not fix the problem, perform STEP 2: Replace the electronic assembly.
E36	Exhaust motor (drive over temp)	STEP 1: Validate if the air exchanger is exposed to ambient temperatures within the operating limits (see p. 4) If STEP 1 did not fix the problem, perform STEP 2: Replace the electronic assembly.
E40	Outside air thermistor	STEP 1: Check if thermistor is well connected in connector J7A. If STEP 1 did not fix the problem, perform STEP 2: Disconnect connector J7A and check if the measured resistance (thermistor connector) is within 5 Kohms to 120 Kohms. If outside the range, replace the thermistor. If STEP 2 did not fix the problem, perform STEP 3: Replace the electronic assembly.
E41	Distribution air thermistor	STEP 1: Check if thermistor is well connected in connector J7B. If STEP 1 did not fix the problem, perform STEP 2: Disconnect connector J7B and check if the measured resistance (thermistor connector) is within 5 Kohms to 120 Kohms. If outside the range, replace the thermistor. If STEP 2 did not fix the problem, perform STEP 3: Replace the electronic assembly.
E42	PCBA thermistor fault	STEP 1: Replace the electronic assembly.
E43	PCBA temperature over limit	STEP 1: Validate if the air exchanger is exposed to ambient temperatures within the operating limits (see p. 4) If STEP 1 did not fix the problem, perform STEP 2: Replace the electronic assembly.
E50	Wall control communication lost	STEP 1: Unplug unit, inspect wires, plug unit. If STEP 1 did not fix the problem, perform STEP 2: Remove wall control from the wall installation and test with a short cable. If it works, bring a new cable to the wall installation location. If STEP 2 did not fix the problem, perform STEP 3: Test the air exchanger with a spare wall control. If it works, replace the wall control. If STEP 3 did not fix the problem, perform STEP 4: Replace the electronic assembly.
E51	Wall control sensor	STEP 1: Unplug unit, inspect wires, plug unit. If STEP 1 did not fix the problem, perform STEP 2: Replace the wall control.
E60	Protection mode	STEP 1: Perform general inspection of the unit (dampers, core, filters).

8. INSTALLER'S TROUBLESHOOTING (CONT'D)

WARNING	DESCRIPTION	SOLUTION
W22	Supply airflow	<p>STEP 1: Unplug the unit. Perform a visual inspection of the supply damper system. Clean filters, distribution registers and outside supply hood. Inspect ducting to ensure it is not squeezed or bent. Plug the unit.</p> <p>If STEP 1 did not fix the problem, perform STEP 2: Remove ducting of the supply path. On the LCD screen, select MAX to check if the unit is able to reach the selected flow. If so, review the ducting path.</p> <p>If STEP 2 did not fix the problem, perform STEP 3: On the LCD screen, select the MIN and MAX flow setting values then reset the unit. MAX flow value will display on the LCD screen. If MAX flow is above desired MAX flow, set MAX and MIN flows.</p> <p>If STEP 3 did not fix the problem, perform STEP 4: Replace the supply blower and repeat STEP 3.</p> <p>If STEP 4 did not fix the problem, perform STEP 5: Replace the electronic assembly.</p>
W32	Exhaust airflow	<p>STEP 1: Unplug the unit. Perform a visual inspection of the exhaust damper system. Clean filters, distribution registers and outside supply hood. Inspect ducting to ensure it is not squeezed or bent. Plug the unit.</p> <p>If STEP 1 did not fix the problem, perform STEP 2: Remove ducting of the supply path. On the LCD screen, select MAX to check if the unit is able to reach the selected flow. If so, review the ducting path.</p> <p>If STEP 2 did not fix the problem, perform STEP 3: On the LCD screen, select the MIN and MAX flow setting values then reset the unit. MAX flow value will display on the LCD screen. If MAX flow is above desired MAX flow, set MAX and MIN flows.</p> <p>If STEP 3 did not fix the problem, perform STEP 4: Replace the exhaust blower and repeat STEP 3.</p> <p>If STEP 4 did not fix the problem, perform STEP 5: Replace the electronic assembly.</p>
W52	Initial setting incomplete	<p>STEP 1: Press + or - to access the selection menu.</p> <p>STEP 2: Complete configuration. (Refer to section 5 for more details).</p>
W61	Protection mode electronics overheating	<p>The unit is currently in protection mode. The power transmitted to the motor is deliberately reduced to decrease electronics temperature. The unit will exit this mode by itself once conditions are back to normal. It is normal to observe reduction in airflows during this period. This condition should appear only when the unit is set in high speed and located in a warmer environment, for example over 30°C (86°F).</p>

CAUTION

Make sure that no piece of mineral wool will enter in the unit during installation. Otherwise, this could reduce airflow and generate vibrations and noise in the unit.

9. MAINTENANCE

⚠ WARNING

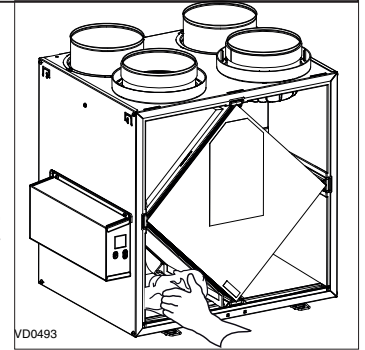
High voltage risk. During maintenance or repairs, always stop the unit then unplug it to prevent any risk of electric shock. The wearing of safety glasses and gloves is recommended when handling unit components to prevent any risk of injury that could be caused by the presence of thin metal.

9.1 QUARTERLY

1. Disconnect power cord.
2. The door of this unit is hinged and maintained closed by 2 latches. Open them and set aside.
3. Clean the inside of the door with a damp cloth.
4. Clean filters:
 - Remove filters.
 - Vacuum to remove most of the dust.
 - Wash with a mixture of warm water and mild soap. You may add bleach if you wish to disinfect (one tablespoon per gallon). Rinse thoroughly. Shake filters to remove excess water and let dry.

Note: The optional MERV13 filter is a disposable filter. It should be replaced when it is too dirty. Vacuum the MERV13 membrane filter quarterly using the dusting brush attachment to extend its service life.

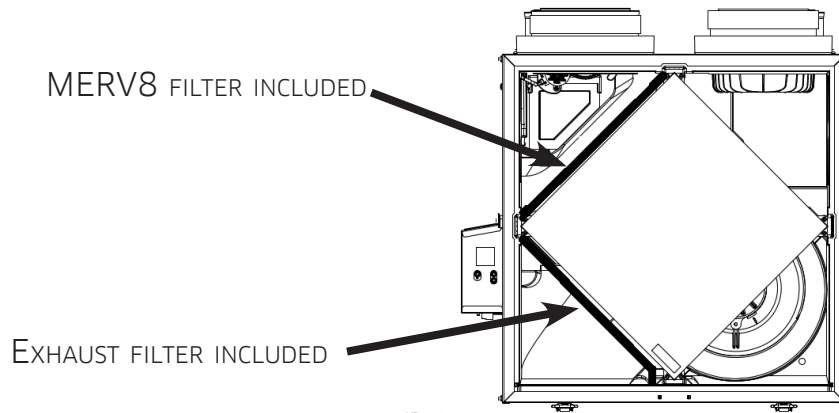
5. Remove the core.
6. Clean the condensing tray with a damp cloth.
7. Check the exterior air intake hood:



⚠ CAUTION

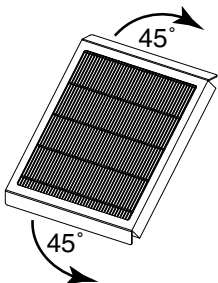
A blocked air vent or filter, even partially, could cause the unit to malfunction. The comfort provided by the unit could be reduced and the risk of unit frost could increase. This could cause unit breakdown and/or damage to property.

- Make sure there are no leaves, twigs, ice or snow that could be drawn into the vent.
 - Clean if necessary.
8. Rotate the blower wheels by hand. If one of the wheels does not rotate easily, contact your installer.
 9. Reassemble the components. Pay special attention to the filters by making sure that they are engaged in their slots.
 10. Close the unit door and reconnect power supply.
 11. Reset filters, if required. If using an optional main wall control (DEHUMIDISTAT OR AUTOMATIC), press on the INT/AUTO button for 5 seconds to reset the filters. If using the ADVANCED optional main wall control, follow the instructions on the touch screen.

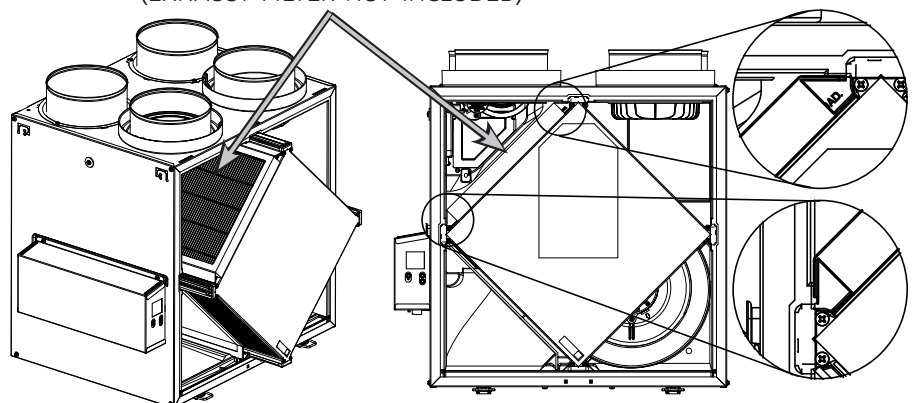


OPTIONAL MERV13 FILTER OR HEPA MEMBRANE FILTER
(EXHAUST FILTER NOT INCLUDED)

Pull the core 3" to 4" out.
Bend the two MERV13 flaps to form a 45-degree angle, as illustrated below.



Install the MERV13 filter over the core as illustrated hereafter.
Push the core and the MERV13 filter to the bottom of the unit.



- NOTES:**
1. The optional MERV13 filter replaces the MERV8 filter.
 2. MERV13 filter and HEPA membrane filter have the same installation instructions.

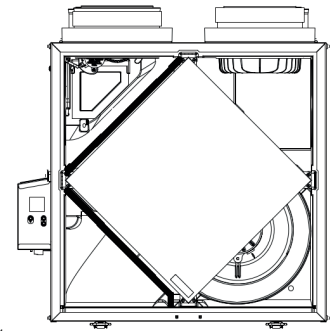
9. MAINTENANCE (CONT'D)

9.2 ANNUAL (AT FALL)

- Repeat steps 1 to 6 from the previous section and continue with the following steps:

CAUTION

- Handle the recovery core with care.



- Clean the recovery core:

HRV MODELS	ERV MODELS
<ul style="list-style-type: none"> Remove the core. Let it soak in a mixture of cold or lukewarm water and mild soap (dishwashing liquid). Rinse thoroughly. Shake the core to remove excess water and let it dry. 	Remove the dust on the core using a vacuum cleaner and a soft brush attachment. CAUTION: DO NOT SOAK THE ENERGY RECOVERY CORE IN WATER

- Clean the blower assemblies. Do not disassemble the blower assemblies.
- Remove the dust using a vacuum cleaner with a soft brush attachment.
- Reassemble the components.
- Reconnect power supply.

10. USER'S TROUBLESHOOTING

If the unit does not work properly, reset the unit by unplugging it for one minute then replug it. Contact customer service at 1-800-567-3855 for any unresolved issue.

PROBLEM	TRY THIS
1. Nothing works.	<ul style="list-style-type: none"> See if the unit is plugged in. See if the unit is receiving power from the house circuit breaker or fuse.
2. Noisy unit.	<ul style="list-style-type: none"> Clean the unit (see Section 9). If the problem is not solved, contact your installer.
3. Condensation inside windows under cold weather conditions.	<ul style="list-style-type: none"> Operate the unit at MAX speed during activities generating excess humidity (family gatherings, extra cooking, etc.). Leave curtains half-open to allow air circulation. Store all firewood in a closed room with a dehumidifier or in a well ventilated room, or store the wood outdoors. Keep the temperature in your house above 18°C (64°F).
4. Humidity inside under hot/humid weather conditions.	<ul style="list-style-type: none"> Operate the unit in MIN speed. Temporarily switch to INT mode (if available). Use a dehumidifier.
5. Air too dry.	<ul style="list-style-type: none"> Operate the unit at MIN speed. Temporarily switch to INT mode (if available). Temporarily use a humidifier.
6. Air too cold at the air supply register.	<ul style="list-style-type: none"> Make sure the outdoor hoods are not blocked. Operate the unit at MIN speed. Install a duct heater (contact your installer).

11. WARRANTY

This ventilation unit is a high quality product, built and packaged with care. The manufacturer warrants to the original purchaser of its product, that such products will be free from defects for the period stated below, from date of original purchase. For all units, the warranty covers parts only against any operational defect. This 5-year warranty is subject to performance of the core maintenance according to recommendations in this manual. The heat recovery core (HRV) has a limited lifetime warranty, and the energy recovery core (ERV) has a 5-year warranty. If any defect should occur, we urge you to read the user guide carefully. If the problem persists, observe the following rules:

RULES TO FOLLOW

If the unit is defective, contact your ventilation contractor (see address on your manual's cover page). The contractor will determine with you the reason for the defect, and if needed, do the replacement or repair. If ever it is impossible to reach your ventilation contractor, call 1-800-567-3855 (in North America); the personnel will be pleased to give you the phone number of a distributor or a service center near you.

REPLACEMENT PARTS AND REPAIR

In order to ensure your ventilation unit remains in good working condition, you must use the manufacturer's genuine replacement parts only. The manufacturer's genuine replacement parts are specially designed for each unit and are manufactured to comply with all the applicable certification standards and maintain a high standard of safety. Any third party replacement part used may cause serious damage and drastically reduce the performance level of your unit, which will result in premature failing. The manufacturer also recommends that you contact a service depot certified by the manufacturer for all replacement parts and repair.

BILL OF PURCHASE

No replacement or repair covered by the warranty will be carried out unless the unit is accompanied by a copy of the original bill of purchase. Please retain your original.

MISCELLANEOUS COSTS

In each case, the labor and shipping costs for the removal of a defective part and/or installation of a compliant part will not be covered by the manufacturer.

CONDITIONS AND LIMITATIONS

These units are created for residential use only and must be used in a building as defined below:

Building: All structures zoned and/or erected for the act, process or art of human or animal habitation and/or the storage or warehousing of goods.

Residential use: Dwelling, lodging, suite: Building, or part of a building, intended to act as either the domicile to one or several people which can include general sanitary, food consumption and rest facilities. Buildings of only one room or a group of rooms including those occupied by a tenant or owner; comprise the lodgings, the individual rooms of the motels, hotels, rooming/lodging houses, boarding/half-way/foster homes, dormitories, and suites, as well as the stores and the business establishments constituted by only one room in a dwelling.

Commercial use: Agricultural establishment, commercial establishment for assembly, care, or detention: Building or part of a building that does not contain a dwelling, situated on land dedicated to agriculture or farming and used primarily to shelter animals, or for the production, the storage or the treatment of agricultural or horticultural products or animal food. Building or part of a building, used for the display or retail of goods, professional or personal services, or commodities. Building, or part of a building used by persons gathering for civic activities, religious or political assembly, tourism, educational/vocational training, recreation or the consumption of food or drink. Building, or part of a building used to shelter persons of impaired physical or psychological states, persons requiring palliative care or medical treatments, or persons for reasons out of their control, cannot escape harm or threat of danger autonomously.

Industrial use: Building, or part of a building, used for the assembly, the manufacture, the creation, the treatment, the repair or the storage of products and combustible materials and that contain fuels that when ignited or exploded in sufficient quantity may constitute a risk of fire.

The above warranty applies to all cases where the damage is not a result of poor installation, improper use, mistreatment or negligence, acts of God, or any other circumstances beyond the control of the manufacturer. Furthermore, the manufacturer will not be held responsible for any bodily injury or damage to personal property or real estate, whether caused directly or indirectly by the unit. This warranty supersedes all prior warranties.

Venmar Ventilation ULC, 550 Lemire Blvd., Drummondville, Québec, Canada J2C 7W9 venmar.ca / vaneec.ca 800-567-3855

GUIDE D'INSTALLATION ET D'UTILISATION



A110H65RT	A110H65RS
A130H65RT	A130H65RS
A130E65RT	A130E65RS
A150H75NT*	A150H75NS*
**A160H75RT	A160H75RS
A160H65RT	A160H65RS
A160E65RT	A160E65RS
A150E75NT*	A150E75NS*
**A160E75RT	A160E75RS

*Le mode recirculation n'est pas offert sur ces modèles.



V110H65RT	V110H65RS
V130H65RT	V130H65RS
V130E65RT	V130E65RS
V150H75NT*	V150H75NS*
**V160H75RT	V160H75RS
V160H65RT	V160H65RS
V160E65RT	V160E65RS
V150E75NT*	V150E75NS*
**V160E75RT	V160E75RS

*Le mode recirculation n'est pas offert sur ces modèles.

ENREGISTREZ VOTRE PRODUIT EN LIGNE AU:
www.venmar.ca/enregistrez-votre-produit.html ou
www.vanee.ca/fr/enregistrez-votre-produit.html

Pour de l'information supplémentaire, visitez www.venmar.ca ou www.vanee.ca

INSTALLATEUR: LIRE ET REMETTRE CES DIRECTIVES À L'UTILISATEUR

POUR USAGE RÉSIDENTIEL SEULEMENT



**Ces présents produits sont homologués ENERGY STAR® parce qu'ils respectent des exigences rigoureuses en matière d'efficacité énergétique établies par Ressources Naturelles Canada et la EPA des États-Unis. Ils répondent aux exigences ENERGY STAR seulement lorsqu'ils sont utilisés au Canada.



23831 RÉV. N

Veillez noter que dans ce guide, les symboles suivants sont utilisés afin d'accentuer certaines informations particulières:

⚠ AVERTISSEMENT

Identifie une directive qui, si elle n'est pas suivie, peut causer de graves blessures corporelles ou la mort.

ATTENTION

Identifie une directive qui, si elle n'est pas suivie, peut gravement endommager l'appareil ou ses pièces.

NOTE: Indique une information supplémentaire afin de réaliser complètement une directive.

LIMITATION

Pour installation résidentielle (domestique) seulement. Les travaux d'installation et de raccordement électrique doivent être effectués par du personnel qualifié, conformément aux codes et aux standards de construction, incluant ceux concernant la protection contre les incendies.

⚠ AVERTISSEMENT

AFIN DE DIMINUER LES RISQUES D'INCENDIE, D'ÉLECTROCUTION OU DE BLESSURES CORPORELLES, SUIVEZ LES DIRECTIVES SUIVANTES:

1. N'utiliser cet appareil que de la façon prévue par le fabricant.
2. Débrancher le cordon d'alimentation de l'appareil avant d'effectuer l'entretien ou la réparation.
3. Cet appareil n'est pas conçu pour fournir l'air nécessaire à la combustion et/ou à la dilution pour les appareils à combustion.
4. Lorsque vous coupez ou percez un mur ou un plafond, ne pas endommager les fils électriques ou autres installations qui pourraient y être dissimulés.
5. Ne pas utiliser cet appareil avec une commande de vitesse à semi-conducteur autre que celles mentionnées à la section 3.1.
6. Cet appareil doit être mis à la terre. Pour votre propre protection, le cordon d'alimentation est muni d'une fiche à 3 broches. Cette fiche doit être branchée à une prise à trois trous avec une mise à la terre, conformément au code national d'électricité ainsi qu'aux codes et règlements locaux. Ne pas enlever la broche pour la mise à la terre. Ne pas utiliser de rallonge électrique.
7. Ne pas installer dans une aire de cuisson ou brancher directement à un appareil ménager.
8. Ne pas utiliser pour évacuer des vapeurs ou des produits dangereux ou explosifs.
9. Il est recommandé de porter des lunettes et des gants de sécurité lors de l'installation, de l'entretien ou de la réparation de ces appareils.
10. Lorsqu'une réglementation est en vigueur localement et qu'elle comporte des exigences d'installation et/ou de certification plus restrictives que les présentes, lesdites exigences prévalent sur celles de ce document et l'installateur entend s'y conformer à ses frais.

ATTENTION

1. Afin d'éviter l'encrassement prématuré des filtres, arrêter l'appareil lors de travaux de construction ou de rénovation.
2. Pour plus de renseignements au sujet de votre appareil, veuillez lire les autocollants apposés sur celui-ci.
3. S'assurer que les bouches appropriées donnent à l'extérieur. Ne pas aspirer/évacuer l'air dans des espaces restreints comme l'intérieur des murs ou plafond ou dans le grenier, un vide sanitaire ou un garage. Ne pas essayer de récupérer l'air évacué provenant d'une sècheuse ou d'une hotte de cuisinière.
4. Destiné à un usage résidentiel seulement, selon les prescriptions de la NFPA 90B (pour un appareil installé aux États-Unis) ou selon la Partie 9 du Code National du Bâtiment du Canada (pour un appareil installé au Canada).
5. Ne pas installer de conduits directement au-dessus ou à moins de 2 pi (0,61 m) d'une fournaise, de son conduit de distribution, d'une chaudière ou d'un appareil de chauffage. Si un conduit doit être raccordé au plenum de retour d'air de la fournaise, il doit être installé à au moins 10 pi (3,1 m) du raccordement de ce plenum à la fournaise.
6. Le réseau de conduits doit être installé selon tous les codes locaux et nationaux en vigueur.
7. En cas d'absence prolongée (plus de deux semaines), laissez une personne responsable vérifier régulièrement que l'appareil fonctionne adéquatement.
8. Si le réseau de conduits traverse un espace non tempéré (ex.: grenier), l'appareil doit fonctionner continuellement sauf lors de son entretien ou de sa réparation. La température ambiante de la maison ne doit également jamais se situer sous 18 °C (65 °F).
9. Au moins une fois par année, les composantes électroniques et mécaniques de cet appareil devraient être inspectées par du personnel qualifié.
10. Ne pas utiliser votre appareil lorsque des travaux de construction ou de rénovation sont en cours, ou lors du sablage de joints de cloison sèche. Certains types de poussière et de vapeurs peuvent endommager votre système de ventilation.
11. Pendant l'hiver, s'assurer que les bouches extérieures ne sont pas encombrées par la neige. Il est également important de s'assurer que l'appareil n'aspire pas de neige pendant les tempêtes de neige. Au besoin, arrêter l'appareil pendant quelques heures.
12. Le contrôle électronique de cet appareil contient un microprocesseur qui peut ne pas fonctionner normalement en raison d'interférences ou à la suite de courtes interruptions de courant. Si cela se produit, débrancher l'appareil, attendre une dizaine de secondes, puis rebrancher l'appareil.
13. Ne pas faire un usage abusif de diffuseurs d'odeur ou de produits chimiques puisque certains peuvent endommager le matériau des composantes de l'appareil.

TABLE DES MATIÈRES

1. DONNÉES TECHNIQUES	4
1.1 DISTRIBUTION DE L'AIR (FONCTIONNEMENT NORMAL)	4
2. INSTALLATION	4
2.1 EMLACEMENT ET INSTALLATION DE L'APPAREIL	4
2.2 INSTALLATION DES CONDUITS ET GRILLES.....	6
2.2.1 SYSTÈME INDÉPENDANT (T-1) (LE MODE RECIRCULATION PEUT FONCTIONNER AVEC CETTE CONFIGURATION.).....	6
2.2.2 SYSTÈME D'ÉVACUATION À LA SOURCE (T-2) (LE MODE RECIRCULATION PEUT FONCTIONNER AVEC CETTE CONFIGURATION.)	6
2.2.3 INSTALLATION SIMPLIFIÉE (T-4) (LE MODE RECIRCULATION NE PEUT PAS FONCTIONNER AVEC CETTE CONFIGURATION.)	7
2.3 RACCORDER LE BOYAU DE DRAINAGE (VRC SEULEMENT).....	8
2.4 INSTALLATION DU KIT DE TRANSITION TANDEM® (OPTIONNEL)	8
2.5 INSTALLER LES BOUCHES EXTÉRIEURES	9
2.6 RACCORDER LES CONDUITS À L'APPAREIL.....	9
2.6.1 RACCORDEMENT DES CONDUITS.....	10
3. BRANCHEMENT	11
3.1 BRANCHEMENT DE LA COMMANDE MURALE PRINCIPALE OPTIONNELLE.....	11
3.1.1 BRANCHEMENT DE LA COMMANDE MURALE PRINCIPALE OPTIONNELLE DÉSHUMIDISTAT OU AUTOMATIQUE	11
3.1.2 BRANCHEMENT DE LA COMMANDE MURALE PRINCIPALE OPTIONNELLE AVANCÉE À ÉCRAN TACTILE	11
3.2 BRANCHEMENT DE LA COMMANDE MURALE AUXILIAIRE OPTIONNELLE	12
3.2.1 BRANCHEMENT DE LA COMMANDE MURALE AUXILIAIRE OPTIONNELLE 20-40-60	12
3.2.1 BRANCHEMENT DE LA COMMANDE MURALE AUXILIAIRE OPTIONNELLE DE TYPE CONTACT SEC (EX. MINUTERIE MÉCANIQUE).....	12
3.3 RACCORDEMENT ÉLECTRIQUE AU SYSTÈME CENTRAL À AIR PULSÉ.....	13
3.3.1 FONCTIONNEMENT DE L'APPAREIL AVEC CONNEXION À CONTACT SEC	13
3.3.2 INTERCONNEXION DE L'APPAREIL AVEC UN SYSTÈME CENTRAL À AIR PULSÉ (R/C/G/Gf).....	13
3.3.3 SYNCHRONISATION AVEC LE FONCTIONNEMENT DU SYSTÈME CENTRAL À AIR PULSÉ.....	13
4. SCHÉMA ÉLECTRIQUE	14
5. NAVIGATION À L'ÉCRAN ACL	15
5.1 ÉCRAN ACL	16
5.2 PREMIER DÉMARRAGE DE L'APPAREIL	16
5.3 MODIFICATION DES RÉGLAGES.....	16
5.3.1 PROCÉDURE POUR MODIFIER LE RÉGLAGE MIN P ³ /MIN	16
5.3.2 PROCÉDURE POUR MODIFIER LE RÉGLAGE MAX P ³ /MIN	16
5.3.3 PROCÉDURE POUR MODIFIER LE RÉGLAGE DES OPTIONS	16
5.3.4 PROCÉDURE POUR MODIFIER LE RÉGLAGE DES DÉBITS D'AIR INDÉPENDANTS	16
5.4 RÉINITIALISATION DES RÉGLAGES	17
6. UTILISER VOTRE APPAREIL	17
6.1 VOTRE SYSTÈME DE VENTILATION.....	17
6.2 COMMANDE INTÉGRÉE.....	17
6.3 AFFICHAGE DU MODE AHU.....	17
7. PIÈCES DE REMPLACEMENT	18
8. DÉPANNAGE POUR INSTALLATEUR	20
9. ENTRETIEN	23
9.1 TRIMESTRIEL.....	23
9.2 ANNUEL (À L'AUTOMNE).....	24
10. DÉPANNAGE POUR L'UTILISATEUR	24
11. GARANTIE	25

Renseignements pour les consommateurs

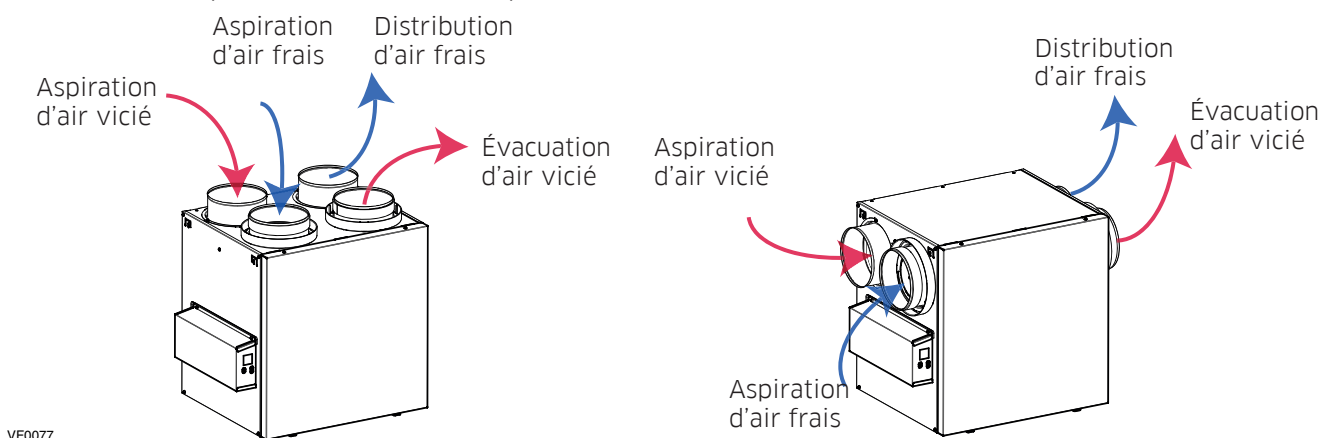
A. Afin d'assurer le fonctionnement silencieux des VRC/VRE, chaque modèle de produit doit être installé avec les techniques d'atténuation du son appropriées.

B. La manière dont on a installé votre VRC/VRE peut faire une différence considérable quant à l'énergie électrique que vous utilisez. Afin de réduire la consommation d'électricité du VRC/VRE, on recommande une installation autonome entièrement canalisée. Si vous choisissez une installation simplifiée qui actionne l'appareil de traitement d'air de votre générateur d'air chaud aux fins d'une ventilation de pièce en pièce, un générateur d'air chaud qui consomme peu d'électricité et qui est muni d'un moteur de ventilation à vitesse variable et à commutation électronique vous permettra de réduire votre consommation d'énergie électrique ainsi que vos coûts d'exploitation.

C. L'installation d'une commande accessible aux utilisateurs sur le modèle de produit améliore le confort et pourrait considérablement réduire la consommation d'énergie du produit.

1. DONNÉES TECHNIQUES

1.1 DISTRIBUTION DE L'AIR (FONCTIONNEMENT NORMAL)



NOTE : Les tableaux de performance, les dimensions, les tableaux de cycles de dégivrage et les spécifications sont inscrits sur les fiches techniques des appareils.

Visitez notre site Web au www.venmar.ca ou www.vanee.ca.

2. INSTALLATION

⚠ AVERTISSEMENT

Le port de lunettes et de gants de sécurité est recommandé lors de l'installation, de l'entretien ou du nettoyage de l'appareil afin de réduire le risque de blessure qui pourrait être causée par la présence de métal mince et/ou de pièces mobiles en hauteur.

ATTENTION

S'assurer qu'aucun morceau de laine minérale n'entre dans l'appareil durant l'installation. Sinon, cela pourrait réduire le débit et générer des vibrations et du bruit dans l'appareil.

2.1 EMPLACEMENT ET INSTALLATION DE L'APPAREIL

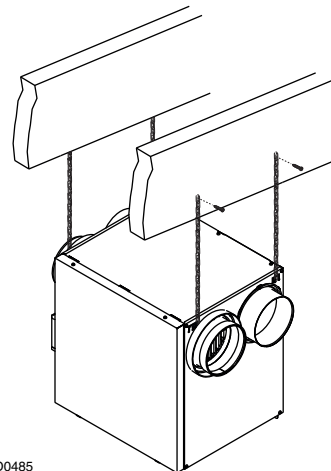
Choisir un emplacement adéquat pour l'appareil :

- Dans un endroit chauffé de la maison où la température est maintenue entre 10 °C/50 °F et 65 °C/149 °F;
- Autant que possible, éloigné des endroits les plus fréquentés (salle à manger, salon, chambres à coucher);
- De façon à pouvoir accéder facilement à l'intérieur du boîtier pour l'entretien trimestriel et annuel, ainsi qu'au compartiment électrique sur le côté de l'appareil;
- Près d'un mur extérieur, de façon à réduire la longueur des conduits flexibles isolés;
- Appareils HRV : à proximité d'un drain. S'il n'y en a pas, se servir d'un seau pour récupérer l'écoulement;
- Éloigné des cheminées chaudes, du panneau des circuits électriques et autres risques d'incendie;
- Prévoir une source d'alimentation électrique standard à moins de 6 pi.

2.1 EMBLACEMENT ET INSTALLATION DE L'APPAREIL (SUITE)

Suspendu aux solives :

- Plier légèrement les supports sur l'appareil afin d'y insérer les chaînes incluses.
- Suspendre l'appareil aux solives à l'aide des chaînes incluses. Les ressorts ne sont pas nécessaires.
- S'assurer que l'appareil est de niveau. Le dénivelé ne doit pas dépasser 1/4 po.

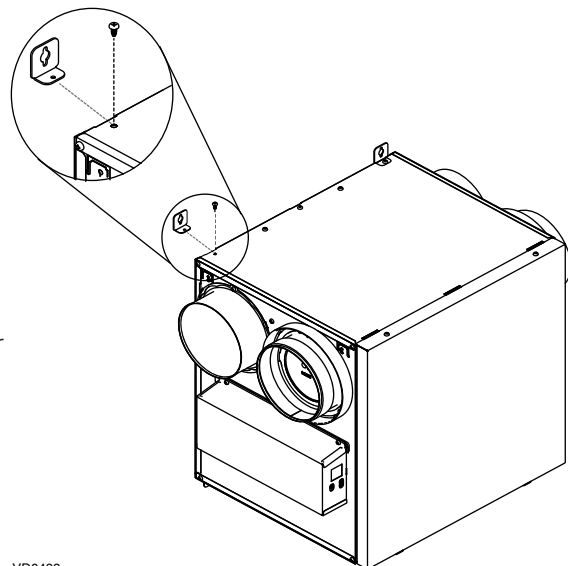


VD0485

OU

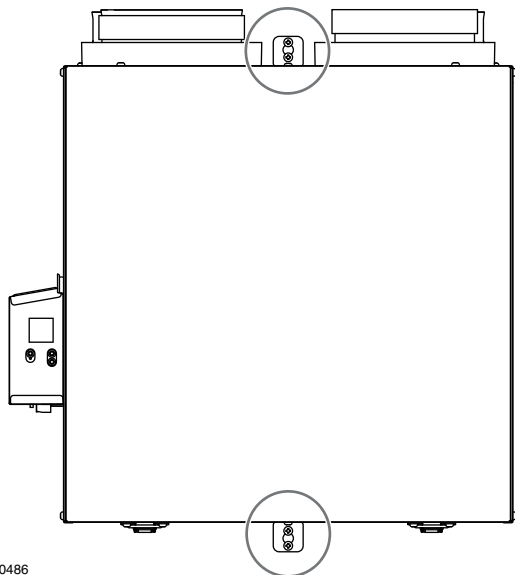
Installé au mur :

- Choisir l'/les emplacement(s) approprié(s) pour les supports (voir l'illustration ci-dessous) selon la position du/des montant(s).
- Insérer les supports fournis sous le châssis de l'appareil (voir l'illustration ci-contre).
- À l'aide de la vis n° 8 x 3/8 po, installer le support.
- À l'aide de 4 vis n° 8 x 1 1/2 po, installer l'appareil au mur en s'assurant que toutes les vis mordent dans le montant.
- S'assurer que l'appareil est de niveau. Le dénivelé ne doit pas dépasser 1/4 po.



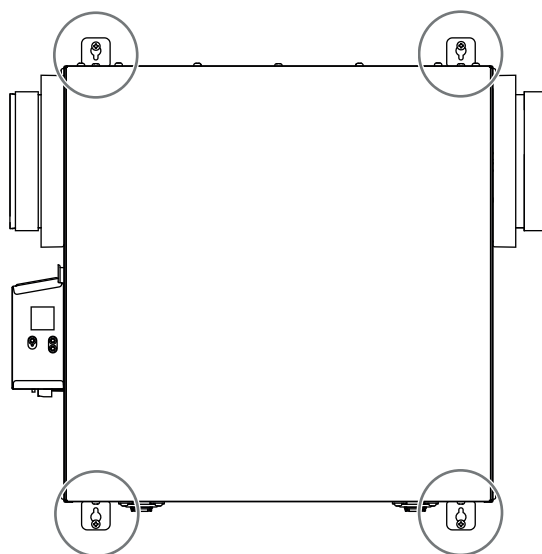
VD0488

INSTALLATION AVEC 2 SUPPORTS



VD0486

INSTALLATION AVEC 4 SUPPORTS



VD0487

2.2 INSTALLATION DES CONDUITS ET GRILLES

⚠ AVERTISSEMENT

Ne jamais installer une grille d'évacuation d'air vicié dans une pièce où se trouve un appareil de combustion comme une fournaise, un chauffe-eau à gaz, un foyer ou tout autre appareil ou équipement pouvant générer des gaz contaminants ou des polluants. Une pression négative pourrait ainsi être créée dans la pièce et nuire à l'évacuation des gaz ou polluants, ce qui peut avoir de graves conséquences sur la santé.

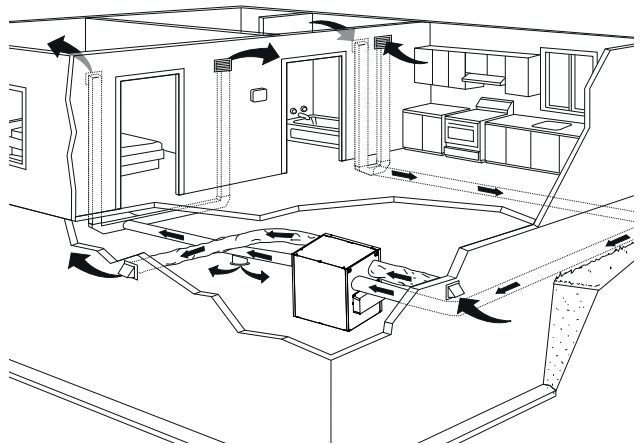
ATTENTION

Si les conduits doivent passer par un espace non tempéré (ex.: grenier), toujours utiliser des conduits isolés pour éviter que de la condensation se forme à l'intérieur ou à l'extérieur du conduit, ce qui pourrait causer des dégâts matériels et/ou la prolifération de moisissure. De plus, si le conduit de distribution d'air frais et/ou le conduit d'aspiration d'air vicié passe(nt) par un espace non tempéré, l'appareil doit être réglé pour fonctionner de façon continue par temps froid (sous 10°C/50°F). Un mouvement d'air continu à l'intérieur des conduits évitera la formation de condensation. L'appareil peut être arrêté temporairement à des fins d'entretien et/ou de réparation dans de telles conditions.

2.2.1 SYSTÈME INDÉPENDANT (T-1) (LE MODE RECIRCULATION PEUT FONCTIONNER AVEC CETTE CONFIGURATION.)

ASPIRATION D'AIR VICIÉ :

- Installer les grilles dans les pièces qui génèrent des polluants : Cuisine, salle de bains, buanderie, etc.
- Installer les grilles sur un mur intérieur, à une distance de 6 po à 12 po (152 mm à 305 mm) du plafond OU les installer au plafond.
- Installer la grille de cuisine à au moins 4 pieds (1,2 m) du four.
- Si requis, des ventilateurs de salle de bains et une hotte de cuisinière peuvent être utilisés pour mieux évacuer l'air vicié.
- Pour les maisons ayant plus d'un étage, il faut prévoir au moins une grille d'aspiration au niveau le plus élevé.



DISTRIBUTION D'AIR FRAIS :

- Installer dans les chambres à coucher, salle à manger, salle de séjour et sous-sol.
- Installer les grilles soit au plafond ou en haut des murs, en dirigeant le flux d'air vers le plafond.
- Si une grille doit être installée au plancher, diriger l'air vers un mur.

NOTE : Pour ce type de configuration, l'option T-1 doit être sélectionnée à l'écran ACL lors de l'auto-balancement de l'appareil.

2.2.2 SYSTÈME D'ÉVACUATION À LA SOURCE (T-2) (LE MODE RECIRCULATION PEUT FONCTIONNER AVEC CETTE CONFIGURATION.)

⚠ AVERTISSEMENT

Le raccordement des conduits au système central à air pulsé peut être réglementé par certains codes et normes. Il est de votre responsabilité de consulter et d'appliquer les exigences locales afin d'éviter toute non-conformité.

ASPIRATION D'AIR VICIÉ :

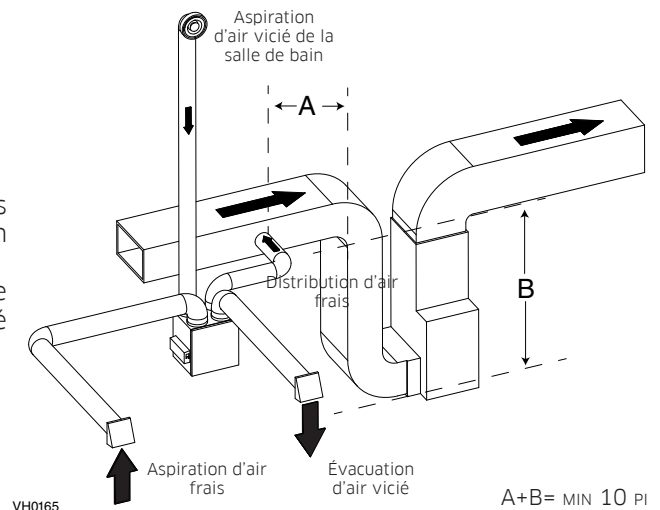
Comme pour le système indépendant, décrit à la section 2.2.1.

DISTRIBUTION D'AIR FRAIS :

- Relier la bouche de distribution d'air frais de l'appareil au conduit de retour du système central à air pulsé, à au moins 10 pieds de celui-ci (A+B)*.
- * Cette distance de 10 pieds s'applique seulement dans les régions où la température extérieure descend sous le point de congélation 0°C (32°F).

NOTE : Il est recommandé, sans toutefois être essentiel, que le ventilateur du système central à air pulsé soit synchronisé avec l'appareil (voir la section 3.3).

NOTE : Pour ce type de configuration, l'option T-2 doit être sélectionnée à l'écran ACL lors de l'auto-balancement de l'appareil.



INSTALLATION ALTERNATIVE (T-3) (LE MODE RECIRCULATION PEUT FONCTIONNER AVEC CETTE CONFIGURATION.)

L'appareil doit être synchronisé avec le fonctionnement du système central à air pulsé pour éviter la formation de condensation et la croissance de moisissures dans les conduits de distribution du système central à air pulsé si le mode climatisation du système central à air pulsé est utilisé.

ATTENTION
 Cette configuration n'est pas recommandée avec un système central à air pulsé à haute vitesse. Les pressions élevées générées par ces systèmes pourraient altérer le bon fonctionnement de l'appareil et générer des erreurs.

NOTE: Pour ce type de configuration, l'option T-3 doit être sélectionnée à l'écran ACL lors de l'auto-balancement de l'appareil.

2.2.3 INSTALLATION SIMPLIFIÉE (T-4) (LE MODE RECIRCULATION NE PEUT PAS FONCTIONNER AVEC CETTE CONFIGURATION.)

ATTENTION
 Le système central à air pulsé doit être synchronisé avec l'appareil puisque l'évacuation et la distribution d'air frais proviennent de la même section. Le système central à air pulsé doit fonctionner pour éviter que l'air frais soit directement aspiré par l'évacuation; ce qui réduirait considérablement l'apport d'air frais au bâtiment. Voir la section 3.3 pour le raccordement.

AVERTISSEMENT
 Le raccordement des conduits au système central à air pulsé peut être réglementé par certains codes et standards. Il est de votre responsabilité de consulter et d'appliquer les exigences locales afin d'éviter toute non-conformité.

L'air frais et vicié emprunte les conduits du système central à air pulsé, ce qui simplifie l'installation.

L'utilisation d'un ventilateur de salle de bains et d'une hotte de cuisinière est recommandé pour mieux évacuer l'air vicié.

ASPIRATION D'AIR VICIÉ:

Relier la bouche d'aspiration d'air vicié de l'appareil au conduit de retour du système central à air pulsé, au moins 3 pieds (0,9 m) en amont de la bouche de distribution d'air frais de l'appareil.

DISTRIBUTION D'AIR FRAIS:

Relier la bouche de distribution d'air frais de l'appareil au conduit de retour du système central à air pulsé, à au moins 10 pieds de celui-ci (A+B)*.

* Cette distance de 10 pieds s'applique seulement dans les régions où la température extérieure descend sous le point de congélation 0°C (32°F).

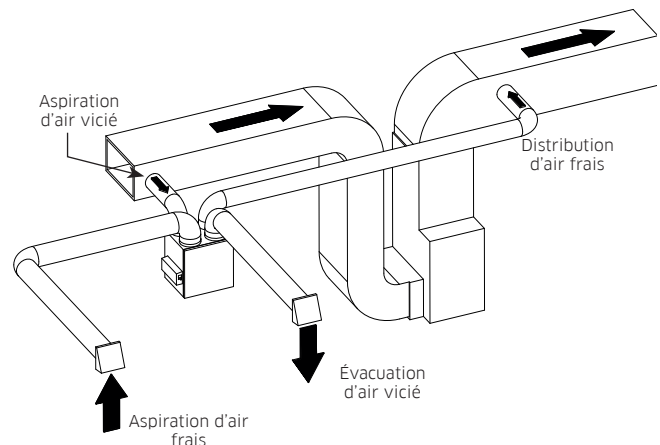
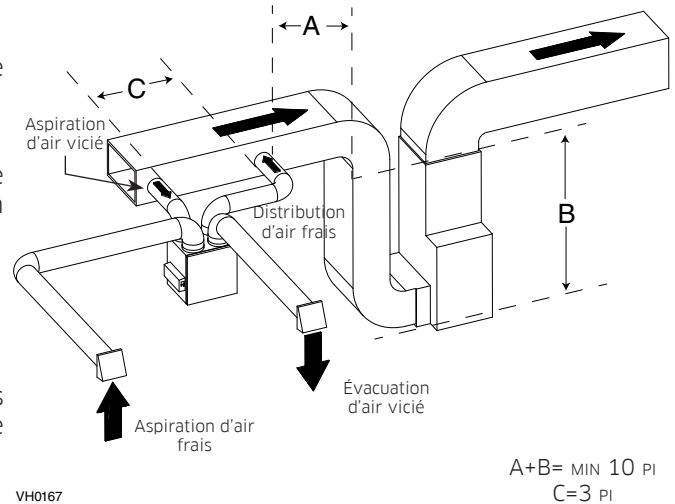
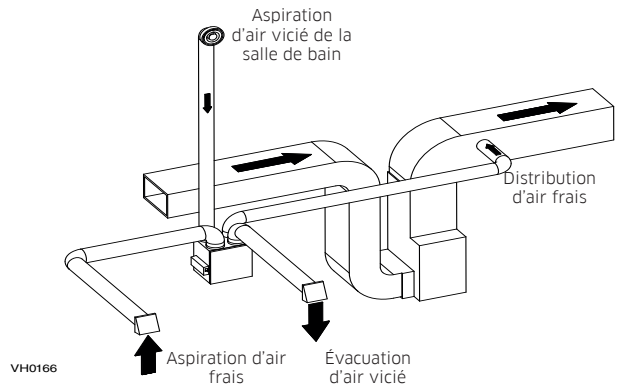
NOTE: Pour ce type de configuration, l'option T-4 doit être sélectionnée à l'écran ACL lors de l'auto-balancement de l'appareil.

INSTALLATION ALTERNATIVE (T-5) (LE MODE RECIRCULATION NE PEUT PAS FONCTIONNER AVEC CETTE CONFIGURATION.)

L'appareil doit être synchronisé avec le fonctionnement du système central à air pulsé pour éviter la formation de condensation et la croissance de moisissures dans les conduits de distribution du système central à air pulsé si le mode climatisation du système central à air pulsé est utilisé.

ATTENTION
 Cette configuration n'est pas recommandée avec un système central à air pulsé à haute vitesse. Les pressions élevées générées par ces systèmes pourraient altérer le bon fonctionnement de l'appareil et générer des erreurs.

NOTE: Pour ce type de configuration, l'option T-5 doit être sélectionnée à l'écran ACL lors de l'auto-balancement de l'appareil.

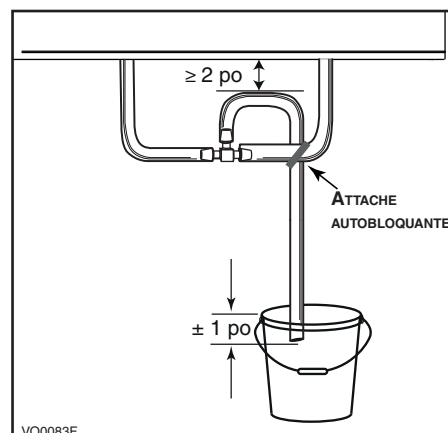
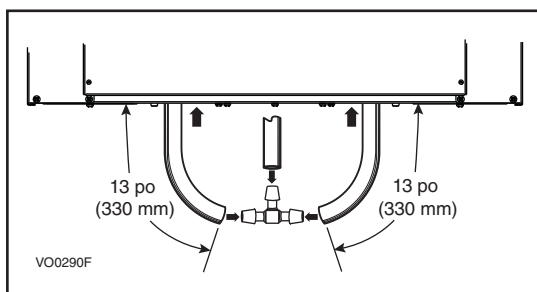


2.3 RACCORDER LE BOYAU DE DRAINAGE (VRC SEULEMENT)

ATTENTION

Installer le boyau de drainage inclus et l'acheminer vers un drain ou une chaudière. Cet appareil peut générer une bonne quantité d'eau par temps plus frais; il est nécessaire d'installer le boyau de drainage adéquatement afin d'éviter tout dégât et/ou bris matériel.

- Couper la longueur appropriée de boyau de drainage (voir les illustrations ci-dessous).
- Raccorder le boyau à l'adaptateur fourni.
- Faire une boucle dans le boyau pour retenir l'eau afin d'empêcher que l'appareil n'aspire de mauvaises odeurs.
- Ajouter de l'eau dans la boucle pour prévenir le bruit ou les sifflements.
- S'assurer qu'il y a une distance d'au moins 2 po entre l'appareil et la boucle du boyau (voir l'illustration ci-dessous).
- À l'aide de l'attache autobloquante fournie, attacher le boyau tel qu'illustré ci-dessous.
- Raccorder le boyau au drain du sous-sol ou à un seau.
- IMPORTANT: Si un seau est utilisé pour recueillir l'eau, placer le bout du boyau à environ 1 po du bord du seau afin d'éviter que l'eau ne remonte dans l'appareil.

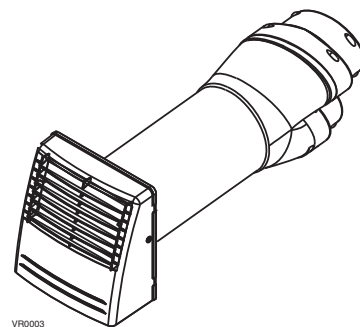


2.4 INSTALLATION DU KIT DE TRANSITION TANDEM® (OPTIONNEL)

Pour les appareils réglés à 110 pi³/min ou moins, un kit de transition Tandem peut être installé à la place de deux bouches extérieures. Noter que ce dispositif augmente la pression statique d'environ 0,2 po d'eau, selon l'installation.

La distance requise entre les solives pour l'installation de la transition Tandem est d'au moins 9¼ po. La hauteur maximale de cette transition est de 8¾ po.

Pour relier les conduits flexibles isolés à la transition Tandem (Évacuation d'air vicié et Aspiration d'air frais), suivre les instructions fournies avec le kit de transition Tandem (pièce n° 14690).



2.5 INSTALLER LES BOUCHES EXTÉRIURES

Pour éviter toute contamination :

- Garder une distance d'au moins 6 pieds (1,8 m) entre les deux bouches OU utiliser le kit de transition (pièce n° 14690).
- Installer la/les bouche(s) à au moins 18 pouces (457 mm) du sol OU à la hauteur prévue de l'accumulation de neige si cette dernière est plus importante.

⚠ AVERTISSEMENT

S'assurer que la bouche d'entrée d'air se trouve à au moins 6 pi (1,8 m) des éléments suivants :

- Sortie de sècheuse, de système central à air pulsé à vitesse variable, d'aspirateur central;
- Sortie de compteur de gaz, barbecue à gaz;
- Sortie de toute source de combustion;
- Poubelle et toute autre source de contamination.

Ignorer ces recommandations pourrait grandement détériorer la qualité de l'air entrant dans la maison ce qui, dans certains cas, pourrait avoir des répercussions sur la santé.

En cas de conflit entre nos conditions et les exigences locales, ces dernières ont priorité.

Consulter l'illustration ci-contre pour relier le conduit isolé aux bouches extérieures. Un capuchon anti-rafales devrait être installé sur la bouche d'aspiration d'air frais dans les régions où il tombe généralement beaucoup de neige.

2.6 RACCORDER LES CONDUITS À L'APPAREIL

ATTENTION

- Si les conduits doivent passer par un espace non tempéré (ex.: grenier), toujours utiliser des conduits isolés pour éviter que de la condensation se forme à l'intérieur ou à l'extérieur du conduit, ce qui pourrait causer des dégâts matériels et/ou la prolifération de moisissure.
- Ne jamais utiliser de vis pour raccorder les conduits aux bouches afin de ne pas nuire au fonctionnement des volets situés à l'intérieur des bouches. Un volet non fonctionnel pourrait faire geler l'appareil, ce qui pourrait occasionner des bris.

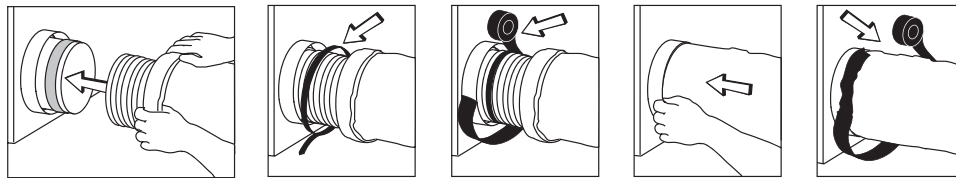
CONDUITS FLEXIBLES ISOLÉS

Procéder comme suit pour le branchement du conduit flexible isolé aux bouches de l'appareil (évacuation d'air vicié et aspiration d'air frais de l'extérieur).

1. Tirer sur l'isolant pour exposer le conduit flexible et le placer **par-dessus** l'anneau intérieur de la bouche.
2. À l'aide d'une attache autobloquante, fixer le conduit flexible intérieur à la bouche.
3. Sceller le joint à l'aide de ruban à conduit.
4. Tirer l'isolant et le coupe-vapeur par-dessus le joint, les insérer **entre les anneaux intérieur et extérieur** de la bouche et les fixer à l'aide de ruban à conduit.

ATTENTION

- Le pare-vapeur doit demeurer intact et exempt de fissures ou d'ouvertures. Une ouverture pourrait générer de la condensation à l'intérieur ou à l'extérieur du conduit, ce qui pourrait occasionner des dégâts matériels et/ou la prolifération de moisissure à long terme.



TRANSITION VERS DES CONDUITS DE 6 PO (POUR LES APPAREILS DE 110, 130 ET 150 pi³/MIN SEULEMENT)

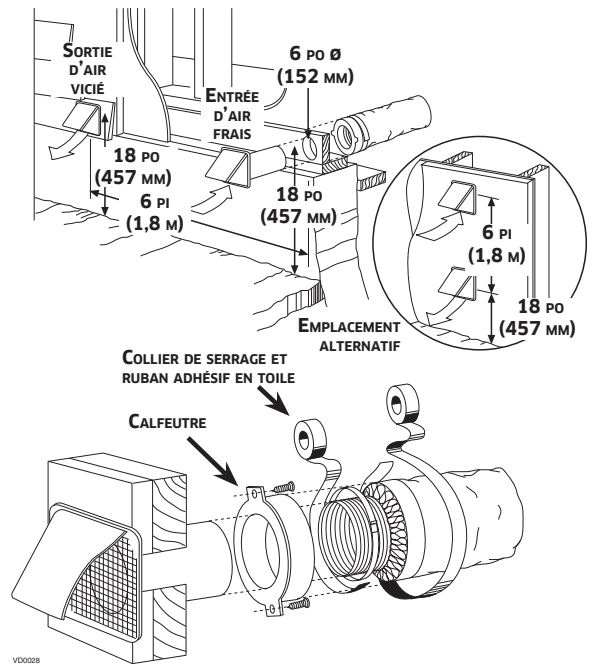
Si des conduits de 6 po sont utilisés, installer des transitions de 5 po à 6 po sur les bouches de l'appareil. Utiliser seulement du ruban à conduits pour fixer les transitions aux bouches de l'appareil. Si des conduits rigides sont utilisés, les raccorder à la transition au moyen d'une section de 12 po de conduit flexible (voir ci-dessous).

CONDUITS RIGIDES

Pour prévenir les fuites d'eau dans l'isolant des conduits rigides isolés du côté froid, sceller tous les joints de ceux-ci avec du ruban à conduits.

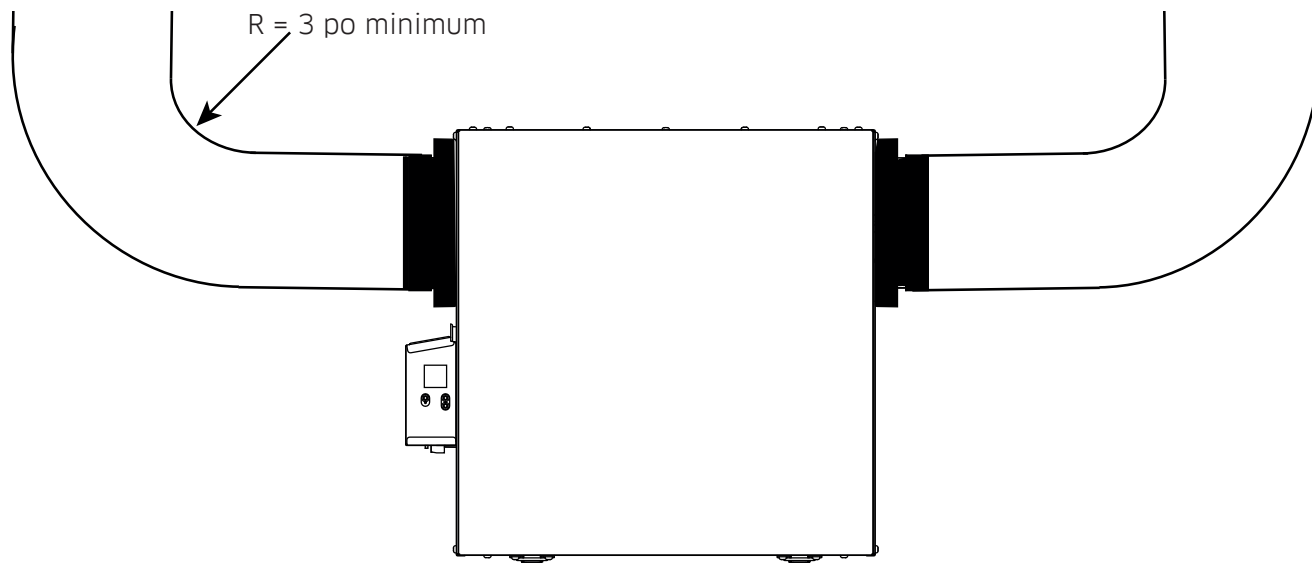
Pour éviter la transmission de vibrations, toujours raccorder les conduits rigides à l'appareil au moyen d'une section de 12 po de conduit flexible. Pour raccorder les conduits rigides isolés à l'appareil (côté froid) à l'aide de conduit flexible isolé, suivre la procédure à la section 2.5. Pour raccorder les conduits rigides non isolés à l'appareil (côté chaud) à l'aide de conduit flexible non isolé, utiliser une attache autobloquante.

NOTE: Il est recommandé d'utiliser des conduits de 6 po au lieu des conduits de 5 po pour les appareils 150H75NT, 150H75NS, 150E75NT et 150E75NS si le débit d'air requis est supérieur à 130 pi³/min afin d'éviter d'avoir une pression statique trop élevée dans les conduits.



IMPORTANT: S'assurer de raccorder les conduits tel qu'illustré ci-dessous pour obtenir une lecture des débits précise. Une installation correcte permettra également un drainage adéquat de l'eau qui pourrait s'accumuler dans les conduits.

INSTALLATION CORRECTE



VD0489

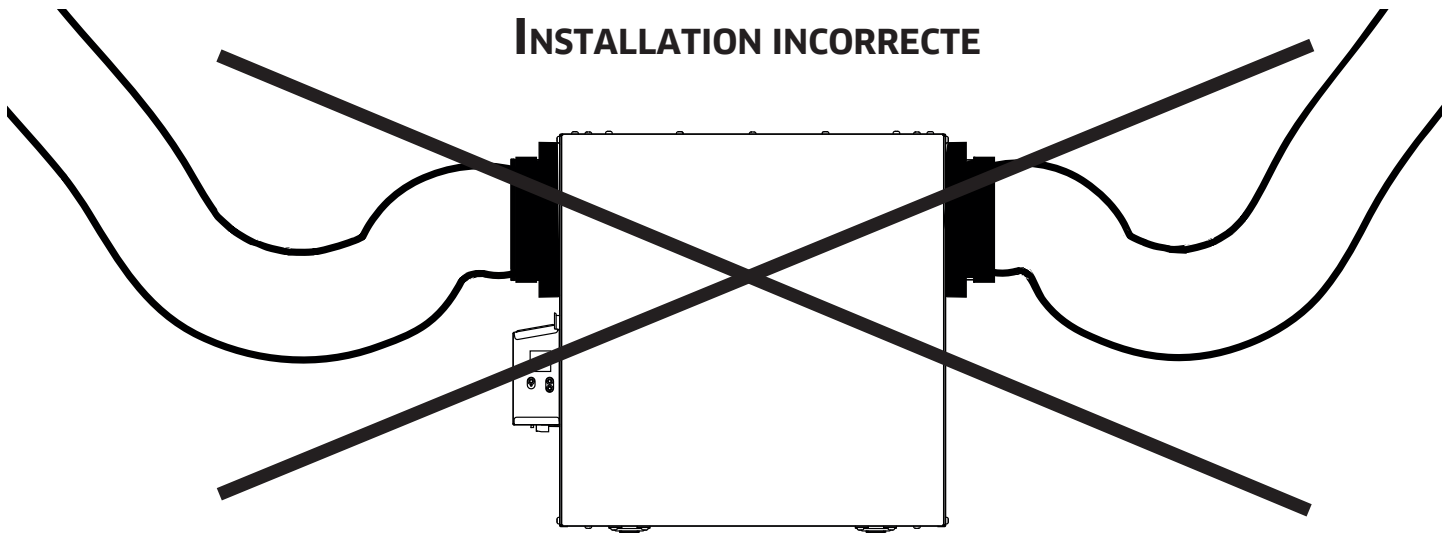
ATTENTION

Les conduits ne doivent pas être trop écrasés. Dans le cas contraire, la précision de lecture des débits sera affectée.

ATTENTION

Les conduits isolés doivent avoir le même diamètre que les bouches de l'appareil pour assurer un drainage adéquat de l'eau qui pourrait s'accumuler dans les conduits.

INSTALLATION INCORRECTE



VD0490

NOTE: Installer les conduits aussi droits que possible, réduire le nombre de coudes et de formes et installer les conduits selon les meilleures pratiques de HRAI.

3. BRANCHEMENT

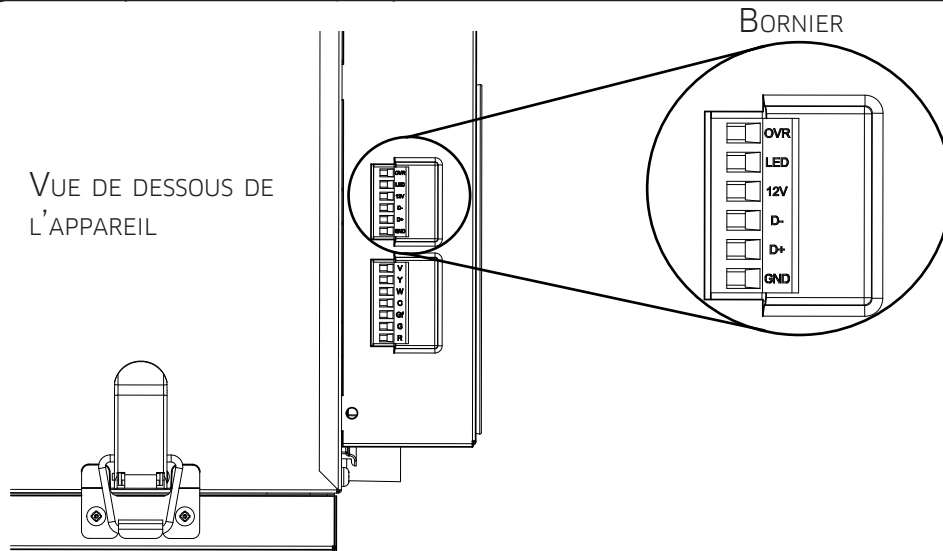
3.1 BRANCHEMENT DE LA COMMANDE MURALE PRINCIPALE OPTIONNELLE

⚠ AVERTISSEMENT

Toujours débrancher l'appareil avant d'effectuer toutes connexions. Le fait de ne pas débrancher l'appareil pourrait causer un choc électrique ou endommager l'appareil, la commande murale, ou le module électronique à l'intérieur de l'appareil.

ATTENTION

Ne jamais installer plus d'une commande murale principale par appareil. S'assurer qu'il n'y a aucun court-circuit entre les fils ou entre les fils et une autre composante de la commande murale. Éviter les connexions relâchées. Afin de diminuer les risques potentiels d'interférence électrique (parasites), ne pas faire cheminer le fil de la commande murale près de contacteurs de contrôle ou près de circuits gradateur d'éclairage, moteurs électriques, câblage électrique de la maison, ou panneau de distribution de courant.

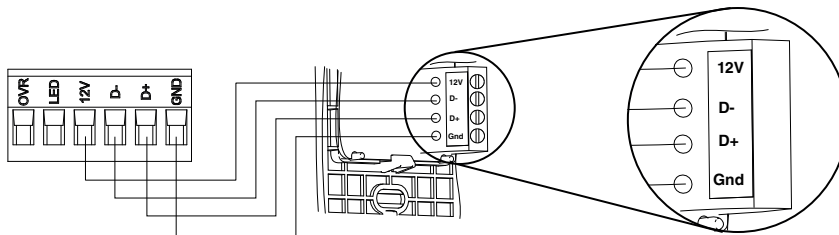


HD0491

Utiliser le bornier inclus pour effectuer le branchement de la commande murale principale optionnelle. S'assurer que les fils sont insérés correctement dans leur réceptacle de bornier correspondant. Utiliser les vis pour fixer les fils au bornier. Une fois les branchements effectués, insérer le bornier dans le compartiment électrique.

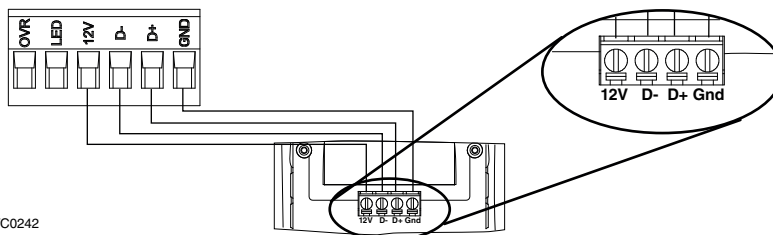
NOTE : Pour connaître le fonctionnement de la commande murale, consulter le guide d'installation et d'utilisation correspondant disponible au www.vanee.ca ou www.venmar.ca.

3.1.1 BRANCHEMENT DE LA COMMANDE MURALE PRINCIPALE OPTIONNELLE DÉSHUMIDISTAT OU AUTOMATIQUE



VC0241

3.1.2 BRANCHEMENT DE LA COMMANDE MURALE PRINCIPALE OPTIONNELLE AVANCÉE À ÉCRAN TACTILE

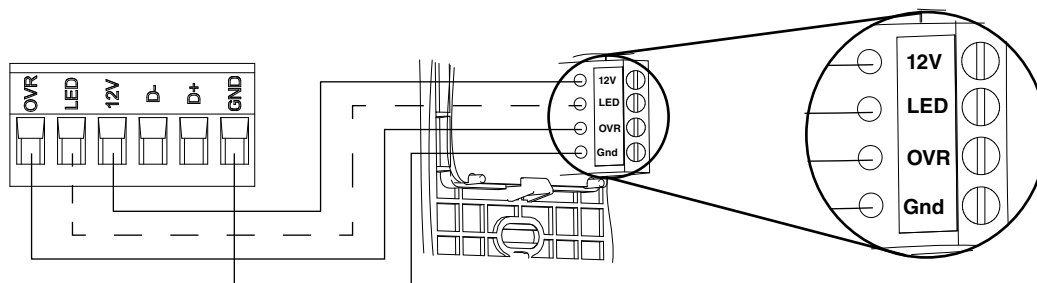


VC0242

3. BRANCHEMENT (SUITE)

3.2 BRANCHEMENT DE LA COMMANDE MURALE AUXILIAIRE OPTIONNELLE

3.2.1 BRANCHEMENT DE LA COMMANDE MURALE AUXILIAIRE OPTIONNELLE 20-40-60

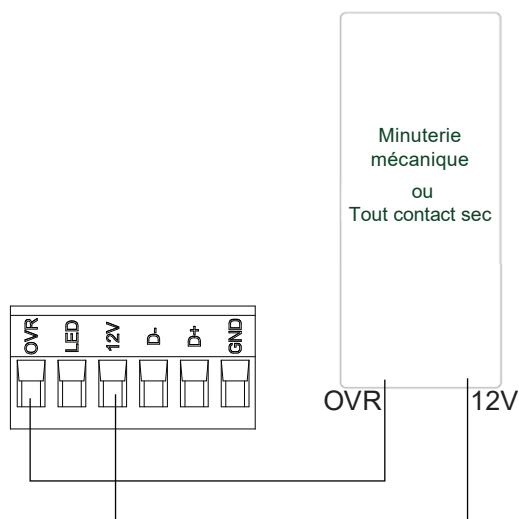


VC0243

Lors de la configuration de l'option OVR à l'écran ACL, choisir l'une de ces 3 configurations: BAL (l'appareil demeure équilibré tout en fournissant un débit d'air maximum), PER (l'appareil est légèrement déséquilibré puisque le moteur de distribution fonctionne à vitesse MAX tout en fournissant une ventilation maximale à l'évacuation) et DIS (l'appareil est déséquilibré puisque la distribution de l'air est constante malgré un besoin plus élevé en ventilation à l'évacuation).

NOTE: La commande murale auxiliaire peut être utilisée avec une connexion à 3 fils en enlevant les signaux LED. Ce branchement optionnel ne permet pas une installation avec plus d'une commande murale auxiliaire afin de permettre la synchronisation adéquate de leurs LEDs pour un événement demandé par un pair. Seules les LEDs de la commande murale auxiliaire ayant demandé l'événement de type minuterie seront mises à jour.

3.2.2 BRANCHEMENT DE LA COMMANDE MURALE AUXILIAIRE OPTIONNELLE DE TYPE CONTACT SEC (EX. MINUTERIE MÉCANIQUE)



VC0256F

⚠ AVERTISSEMENT

Un branchement inadéquat qui envoie un signal 24 VCA au bornier à 6 positions (OVR, LED, 12V, D-, D+, GND) peut endommager de façon permanente le circuit de commande. Vérifier soigneusement les connexions des fils avant de mettre l'appareil sous tension.

3.3 RACCORDEMENT ÉLECTRIQUE AU SYSTÈME CENTRAL À AIR PULSÉ

⚠ AVERTISSEMENT

Ne jamais brancher un circuit 120 volts c.a. aux bornes du câblage du système central à air pulsé (méthode standard). Utiliser seulement le circuit classe 2 du ventilateur du système central à air pulsé. L'appareil est conçu pour des basses tensions uniquement; le brancher à une tension de 120 volts l'endommagerait instantanément.

3.3.1 FONCTIONNEMENT DE L'APPAREIL AVEC CONNEXION À CONTACT SEC

Il est possible d'utiliser toute connexion à contact sec pour faire fonctionner l'appareil (ex. un thermostat équipé d'une sortie ventilation optionnelle).

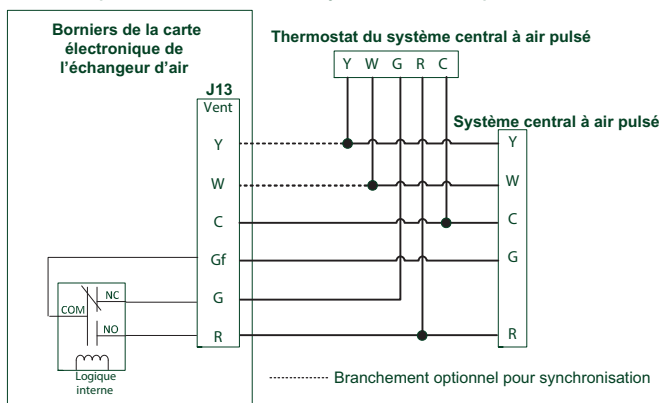
Une fois branché, l'appareil alternera entre le mode Standby, lorsque le contact est ouvert, et le mode sélectionné, lorsque le contact est fermé. Choisir parmi ces 4 configurations: minimum (appareil fonctionnant à vitesse MIN), intermittent (appareil fonctionnant à vitesse MIN 20 min/h, puis selon la configuration sélectionnée pour INT durant 40 min), auto* (appareil fonctionnant selon la température extérieure) et maximum (appareil fonctionnant à vitesse MAX) à l'option DRY sur l'écran ACL lorsque le contact VENT est activé. Consulter la section 5 pour obtenir plus de détails.

* En mode auto, l'appareil fonctionnera de la façon suivante:

- Sous -25°C = 10 min/h
- -25°C à -7°C = 20 min/h
- -7°C à 10°C = 40 min/h
- 10°C à 25°C = vitesse MIN
- 25°C à 28°C = 30 min/h
- 28°C à 33°C = 20 min/h
- Plus de 33°C = 10 min/h

3.3.2 INTERCONNEXION DE L'APPAREIL AVEC UN SYSTÈME CENTRAL À AIR PULSÉ (R/C/G/Gf)

Options de branchement avec système central à air pulsé



Ces connexions doivent être effectuées si vous voulez que l'appareil force le fonctionnement du ventilateur du système central à air pulsé lors de la ventilation (se référer aux lignes continues dans le schéma ci-dessus).

NOTE: Ces connexions sont requises pour la configuration d'installation T-4. Consulter la section 2.2 pour obtenir plus de détails.

3.3.3 SYNCHRONISATION AVEC LE FONCTIONNEMENT DU SYSTÈME CENTRAL À AIR PULSÉ

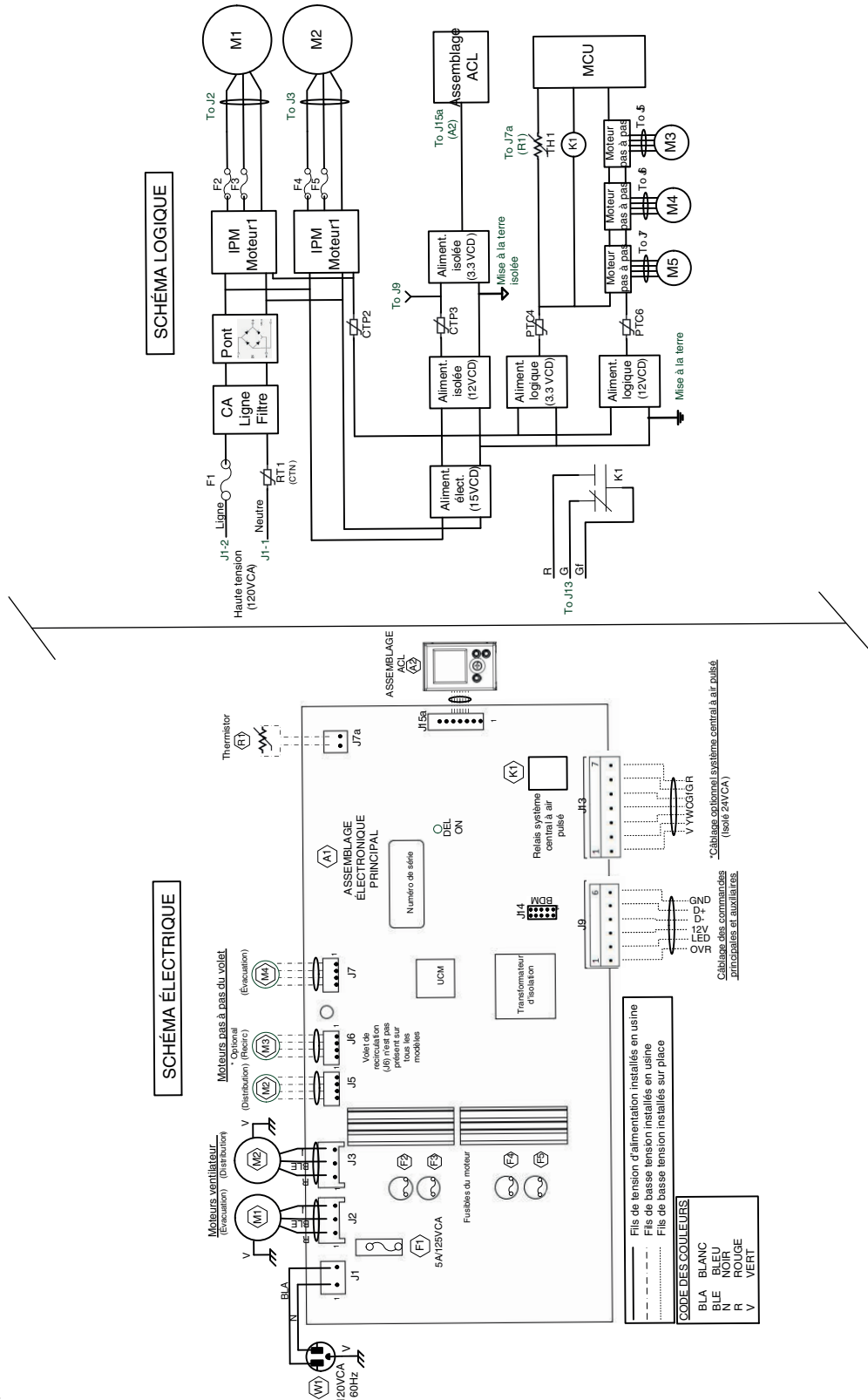
La technologie Virtuo permet de synchroniser le fonctionnement de l'appareil avec le temps de fonctionnement du système central à air pulsé. Cela évite que le système central à air pulsé fonctionne inutilement tout en fournissant une meilleure distribution d'air.

NOTE: Les connexions W et Y doivent être ajoutées aux connexions R et C pour informer l'appareil du fait que le système central à air pulsé est en fonction (se référer aux lignes pointillées dans le schéma ci-dessus).

4. SCHÉMA ÉLECTRIQUE

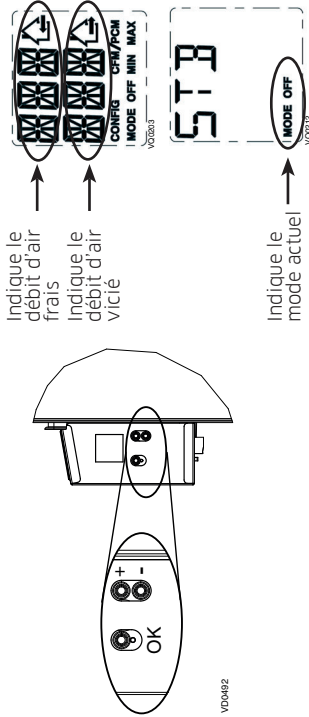
⚠ AVERTISSEMENT

- Danger d'électrocution. Toujours débrancher l'appareil avant d'effectuer les travaux d'entretien ou de réparation.
- Cet appareil est muni d'une protection contre les surcharges (fusible). Un fusible brûlé indique une surcharge ou un court-circuit. Si le fusible brûle, débrancher l'appareil de la prise de courant. Cesser d'utiliser l'appareil et communiquer avec le support technique.

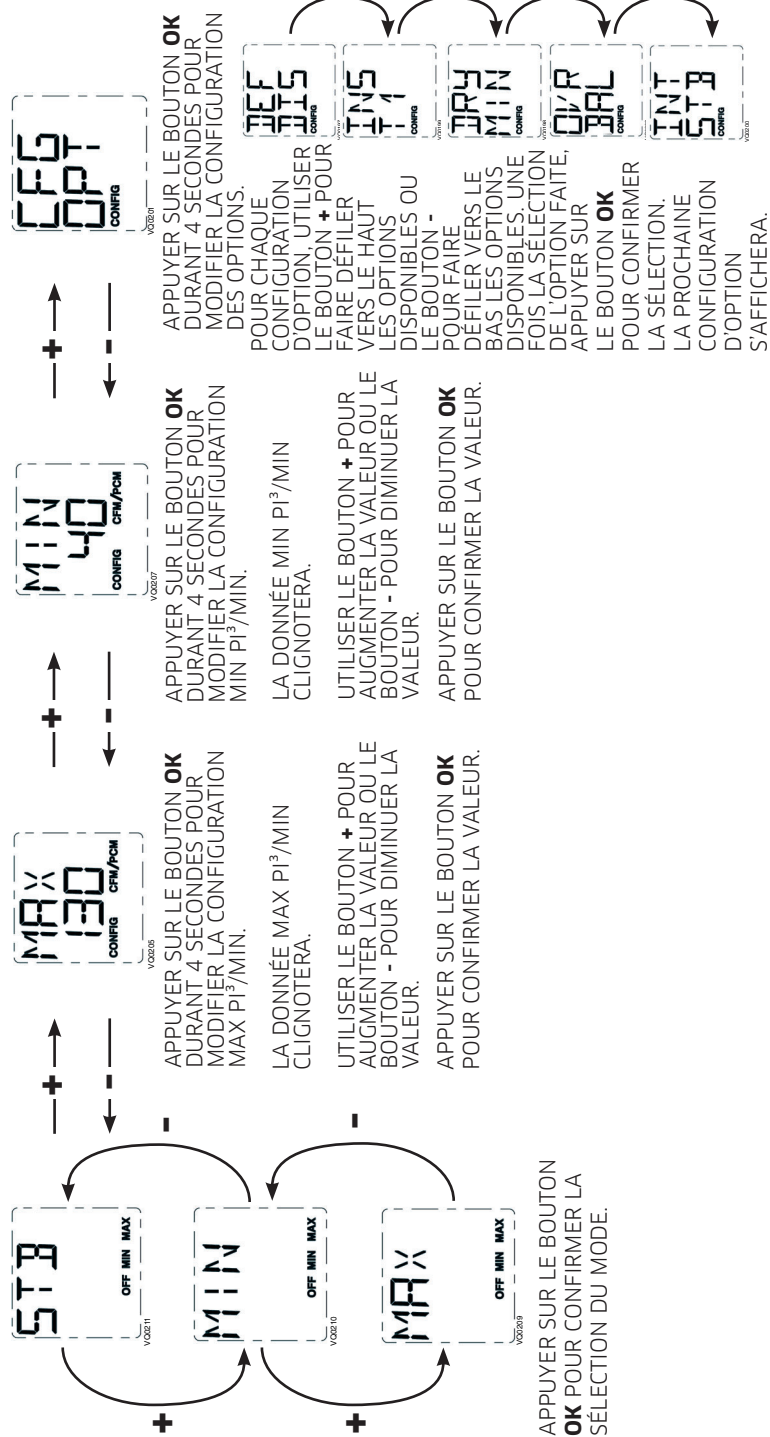


5. NAVIGATION À L'ÉCRAN ACL

Bouton OK	Pour confirmer une sélection.
Bouton +	Pour augmenter une valeur.
Bouton -	Pour faire défiler une sélection vers le haut. Pour diminuer une valeur.
	Pour faire défiler une sélection vers le bas.



APPUYER SUR LE BOUTON **OK** POUR CHANGER LE MODE.
 UTILISER LE BOUTON **+** OU LE BOUTON **-** POUR SÉLECTIONNER LE MODE SOUHAITÉ.
 APPUYER SUR LE BOUTON **+** OU LE BOUTON **-** POUR MODIFIER MAX P³/MIN, MIN P³/MIN OU LA CONFIGURATION DES OPTIONS.



5.1 ÉCRAN ACL

AFFICHAGE	DÉFINITION
STB	Mode attente
MED	Vitesse MED
INT	Mode intermittent
REC	Mode recirculation (vitesse Min, Med ou Max)
AUT	Mode AUTO
SMT	Mode SMART
OVR 20	Auxiliaire 20 min
OVR 40	Auxiliaire 40 min

AFFICHAGE	DÉFINITION
OVR 60	Auxiliaire 60 min
OVR CNT	Auxiliaire par contact sec
AHU	Se référer à la section 6.3 pour plus de détails
HUM	Auxiliaire humidistat ou déshumidistat
TUR	Mode turbo
OTH	Mode absence ou Mode planification
DEF	Mode dégivrage
EXX ou WXX (XX réfère au numéro de l'erreur ou de l'avertissement)	Se référer à la section 8 pour l'explication de chaque erreur/avertissement

5.2 PREMIER DÉMARRAGE DE L'APPAREIL

PRÉPARATION

Pour obtenir des données précises, suivre d'abord les étapes suivantes:

- Sceller tous les conduits du réseau avec du ruban à conduit. Fermer toutes les portes et fenêtres.
- Arrêter tous les dispositifs d'évacuation d'air tels que hotte de cuisinière, ventilateurs de salle de bains ou sècheuse.
- Si l'installation est reliée de quelque façon que ce soit avec un conduit du système central à air pulsé, s'assurer que le ventilateur de celui-ci est en marche. Sinon, ne pas faire fonctionner le ventilateur du système central à air pulsé.

PROCÉDURE D'AUTO-BALANCEMENT

- Brancher l'appareil et attendre que le pi^3/min maximum s'affiche à l'écran ACL. Si l'appareil est plus froid que la température ambiante, il est normal que le premier démarrage soit plus long (60 s) puisque les moteurs doivent préchauffer.
- Le pi^3/min maximum s'affichera à l'écran ACL. Utiliser (+/-) pour ajuster le pi^3/min et OK pour confirmer.
- Le pi^3/min minimum s'affichera à l'écran ACL. Utiliser (+/-) pour ajuster le pi^3/min et OK pour confirmer.
- La maison qui clignote à l'écran ACL indique le côté qui limite le débit d'air (air frais ou air vicié). Si le débit d'air atteint est insuffisant, l'installateur peut améliorer l'installation pour augmenter le débit d'air.

SÉLECTION DE LA CONFIGURATION D'INSTALLATION

- INS s'affichera à l'écran ACL. Choisir parmi T-1, T-2, T-3, T-4 ou T-5 selon la configuration d'installation (consulter la section 2.2 pour plus de détails).
- L'auto-balancement est complété.

5.3 MODIFICATION DES RÉGLAGES

5.3.1 PROCÉDURE POUR MODIFIER LE RÉGLAGE MIN pi^3/MIN

- Aller à MIN à l'aide de (+/-) et appuyer sur le bouton OK durant 4 secondes.
- Utiliser (+/-) pour augmenter/diminuer pi^3/min et OK pour confirmer.

5.3.2 PROCÉDURE POUR MODIFIER LE RÉGLAGE MAX pi^3/MIN

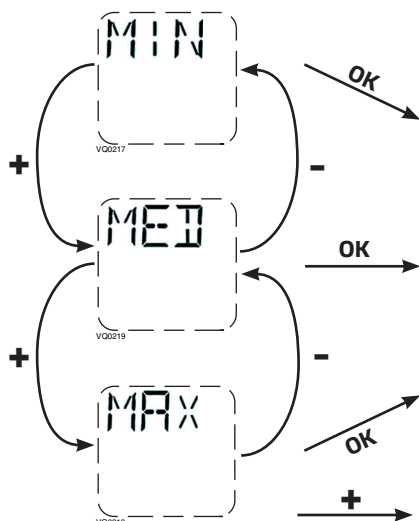
- Aller à MAX à l'aide de (+/-) et appuyer sur le bouton OK durant 4 secondes.
- Utiliser (+/-) pour augmenter/diminuer pi^3/min et OK pour confirmer.

5.3.3 PROCÉDURE POUR MODIFIER LE RÉGLAGE DES OPTIONS

- Aller à CFG OPT à l'aide de (+/-) et appuyer sur le bouton OK durant 4 secondes.

5.3.4 PROCÉDURE POUR MODIFIER LE RÉGLAGE DES DÉBITS D'AIR INDÉPENDANTS

- Appuyer simultanément sur les boutons (+/-) durant 4 secondes.



LA VALEUR DU DÉBIT D'AIR FRAIS CLIGNOTERA. APPUYER SUR LE BOUTON + OU SUR LE BOUTON - POUR AUGMENTER/DIMINUER LA VALEUR. APPUYER SUR LE BOUTON **OK**.
LA VALEUR DU DÉBIT D'AIR VICIÉ CLIGNOTERA. APPUYER SUR LE BOUTON + OU SUR LE BOUTON - POUR AUGMENTER/DIMINUER LA VALEUR. APPUYER SUR LE BOUTON **OK**.

LORSQUE MAX S'AFFICHE, APPUYER SUR LE BOUTON + POUR SORTIR DU RÉGLAGE DES DÉBITS D'AIR INDÉPENDANTS.

Options	Configurations disponibles
DEF (Dégivrage)	DIS* (Discrétion - dégivrage sans variation de vitesse pour plus de confort), PLU (Plus - dégivrage prolongé pour les régions plus froides)
INS (Installation)	T-1, T-2, T-3, T-4*, T-5 (Consulter la section 2.2)
DRY (Contact sec)	MIN* (Minimum), INT (Intermittent), AUT (AUTO), MAX (Maximum) (Consulter la section 3.3.1)
OVR (Auxiliaire)	BAL* (Balancé), PER (Perfo), DIS (Discrétion) (Consulter la section 3.2.1)
INT (Intermittent)	STB* (Attente - 20 min à vitesse MIN et 40 min en mode attente), REC** (Recirculation - 20 min à vitesse MIN et 40 min en mode recirculation) ** REC (Recirculation) configuration non disponible pour les configurations d'installation T-2 à T-5 ni pour les appareils 150H75NT, 150H75NS, 150E75NT et 150E75NS. NOTE: Selon la configuration d'installation des conduits et la température, il pourrait être nécessaire que l'appareil fonctionne de façon continue. Se référer à la section 2.2 pour obtenir plus de détails.

* Réglage en usine

NOTE: Si aucune sélection n'est confirmée en 10 minutes, l'appareil quittera le menu sans sauvegarder les modifications.

5.4 RÉINITIALISATION DES RÉGLAGES

Si un changement est effectué aux conduits, réinitialiser les réglages pour recommencer le test de débit d'air.

PROCÉDURE POUR RÉINITIALISER LES RÉGLAGES

Appuyer simultanément sur les boutons OK et (-) durant 4 secondes. Utiliser (+/-) pour sélectionner Yes ou No et OK pour confirmer. Effectuer la procédure d'auto-balancement.

6. UTILISER VOTRE APPAREIL

6.1 VOTRE SYSTÈME DE VENTILATION

Cette unité de ventilation balancée introduira de l'air frais dans votre demeure tout en évacuant l'air vicié. À l'aide de son module de récupération d'énergie/de chaleur, l'appareil récupère une grande partie de la chaleur ou de l'énergie présente dans l'air intérieur ou extérieur, selon les saisons, afin d'accroître le confort et l'efficacité énergétique durant les périodes de chauffage et de climatisation. Grâce à Virtuo Air Technology™, cet appareil s'ajuste aux variations de son environnement de façon autonome, s'assurant ainsi de fournir un niveau adéquat de ventilation et de qualité d'air. Cet appareil comprend également des modes automatiques (AUTO ou SMART) qui gèrent de façon autonome le niveau de ventilation requis en fonction des conditions intérieures et/ou extérieures. Dans les régions plus froides, l'appareil exécutera, à certains intervalles, un dégivrage discret du module de récupération afin de maintenir performance et confort.

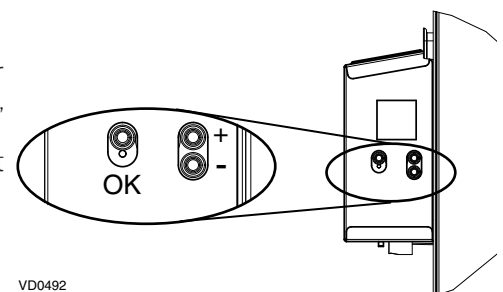
6.2 COMMANDE INTÉGRÉE

Tous les appareils sont munis d'une commande intégrée, située à l'avant du compartiment électrique. Pour plus de commodité, ces appareils peuvent être contrôlés au moyen d'une commande murale optionnelle ou du thermostat du système central à air pulsé équipé d'une sortie pour activation d'un ventilateur externe.

SÉLECTION DU MODE

1. Pour changer le mode, utiliser (+/-) pour accéder à l'écran Mode. Appuyer sur OK pour modifier le mode et utiliser (+/-) pour changer le mode (Standby, Min, Max).
2. Appuyer sur OK pour confirmer la sélection. Les débits d'air s'afficheront tant pour le mode MIN que pour le mode MAX.

NOTE: Si une commande murale auxiliaire optionnelle ou le thermostat du système central à air pulsé équipé d'une sortie pour activation d'un ventilateur externe est utilisé, il prévaudra sur la commande intégrée.

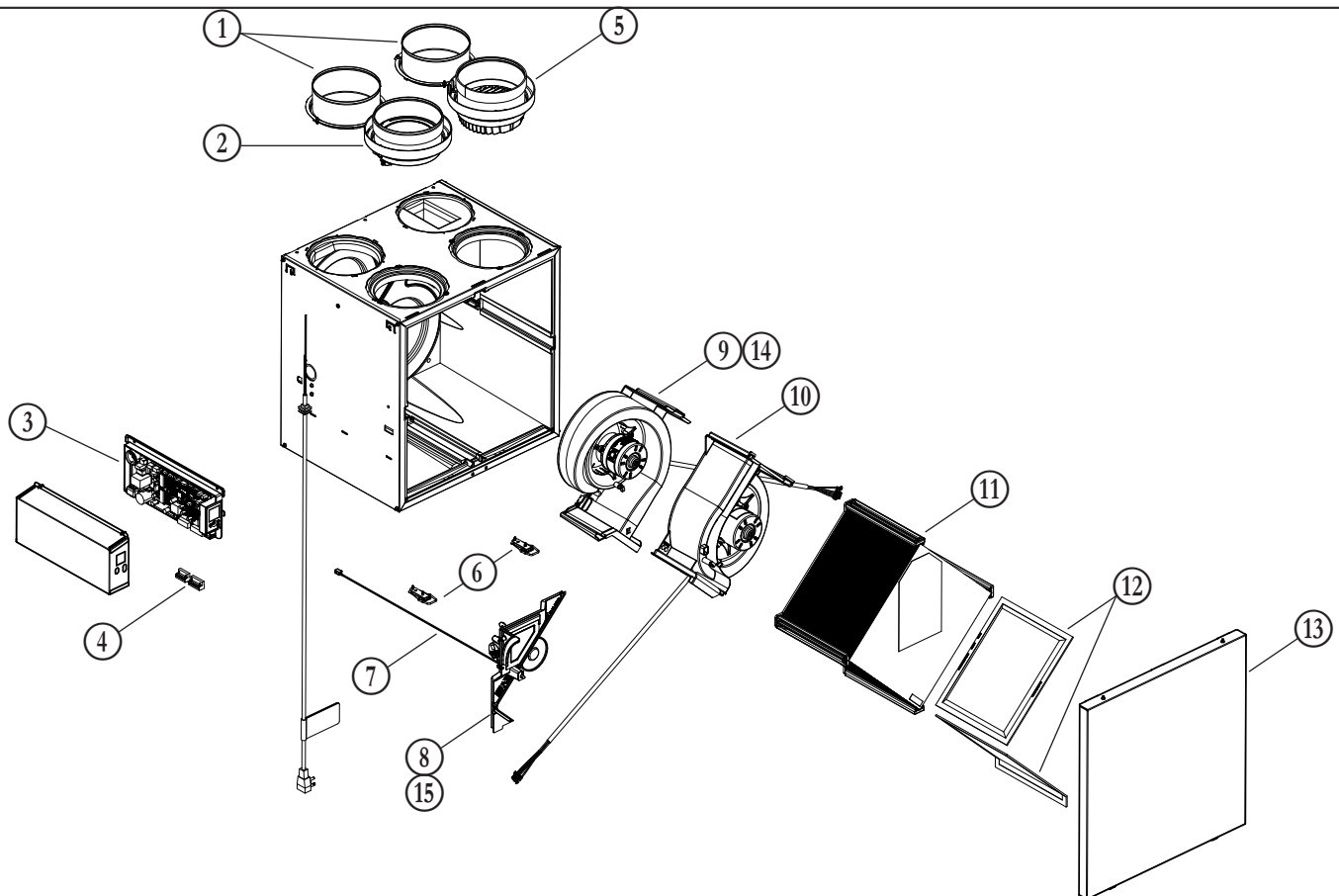


VD0492

6.3 AFFICHAGE DU MODE AHU

Selon la configuration de l'appareil et/ou l'installation, l'appareil pourrait ne pas être capable d'atteindre le pi^3/min minimum souhaité. Cette situation pourrait survenir avec les configurations T-2 à T-5. Dans un tel cas, AHUXX (XX référant à la valeur minimale souhaitée en pi^3/min) s'affichera à l'écran ACL. En mode AHU, l'appareil fonctionne en mode intermittent pour atteindre la valeur minimale souhaitée en pi^3/min . La durée du mode intermittent varie selon la valeur minimale souhaitée en pi^3/min .

7. PIÈCES DE REMPLACEMENT



VL0086

RÉF.	DESCRIPTION	NUMÉRO DE PIÈCE	A110H65RT/RS	V110H65RT/RS	A130H65RT/RS	V130H65RT/RS	A130E65RT/RS	V130E65RT/RS	A160H65RT/RS	V160H65RT/RS	A160E65RT/RS	V160E65RT/RS	A160H75RT/RS	V160H75RT/RS	A160E75RT/RS	V160E75RT/RS	A150H75NT/NS	V150H75NT/NS	A150E75NT/NS	V150E75NT/NS
			1	Bouche de 6 po (côté chaud)	SV66139							2	2	2	2	2	2	2	2	
	Bouche de 5 po (côté chaud)	SV66140	2	2	2	2	2	2									2	2	2	2
2	Bouche métallique 6 po volet motorisé	SV66135							1	1	1	1	1	1	1	1				
	Bouche métallique 5 po volet motorisé	SV66136	1	1	1	1	1	1									1	1	1	1
3	Assemblage électronique	SV66144**	1	1	1	1	1	1	1	1	1	1	1	1	1	1	1	1	1	1
4	Borniers	SV66145	1	1	1	1	1	1	1	1	1	1	1	1	1	1	1	1	1	1
5	Assemblage bouche évacuation 6 po	SV66137							1	1	1	1	1	1	1	1				
	Assemblage bouche évacuation 5 po	SV66138	1	1	1	1	1	1									1	1	1	1
6	Loquets-crochets pour porte	SV61218	1	1	1	1	1	1	1	1	1	1	1	1	1	1	1	1	1	1
7	Thermistor	SV66134	1	1	1	1	1	1	1	1	1	1	1	1	1	1	1	1	1	1
8	Volet recirculation avec thermistor	SV66148	1	1	1	1	1	1	1	1	1	1	1	1	1	1				1
9	Ventilateur évacuation avec volet	SV66142	1	1	1	1	1	1	1	1	1	1	1	1	1	1	1	1	1	1
10	Assemblage ventilateur alimentation	SV66141	1	1	1	1	1	1	1	1	1	1	1	1	1	1	1	1	1	1
11	Noyau ERV 65 %	SV66113					1	1			1	1								
	Noyau ERV 75 %	SV66114													1	1				1
	Noyau HRV 65 %	SV66115	1	1	1	1			1	1										
	Noyau HRV 75 %	SV66116											1	1			1	1		
12	Ensemble filtres MERV8	SV66133	1	1	1	1	1	1	1	1	1	1	1	1	1	1	1	1	1	1
13	Porte	SV66150	1		1		1		1		1		1		1		1		1	
		SV66151		1		1		1		1		1		1		1		1		1
14	Volet évacuation	SV66143	1	1	1	1	1	1	1	1	1	1	1	1	1	1	1	1	1	1
15	Séparateur (WE) avec thermistor	SV66149															1	1		
*	Ensemble de quincaillerie	SV66146	1	1	1	1	1	1	1	1	1	1	1	1	1	1	1	1	1	1
*	Fusible pour carte électronique	SV66147	1	1	1	1	1	1	1	1	1	1	1	1	1	1	1	1	1	1
*	Boyaux 1/2 po	SV00592	1	1	1	1	1	1	1	1	1	1	1	1	1	1	1	1	1	1

* Non illustré.

** Consulter la page suivante pour obtenir le numéro de pièce correspondant au modèle de l'appareil de ventilation.

7. PIÈCES DE REMPLACEMENT (SUITE)

NUMÉRO DE PIÈCE DE L'ASSEMBLAGE ÉLECTRONIQUE	MODÈLE DE L'APPAREIL DE VENTILATION																	
	A/V110H65RS	A/V110H65RT	A/V130H65RS	A/V130H65RT	A/V160H65RS	A/V160H65RT	A/V150H75NS	A/V150H75NT	A/V160H75RS	A/V160H75RT	A/V130E65RS	A/V130E65RT	A/V160E65RS	A/V160E65RT	A/V150E75NS	A/V150E75NT	A/V160E75RS	A/V160E75RT
SV66144-01	X																	
SV66144-02		X																
SV66144-03			X															
SV66144-04				X														
SV66144-05					X													
SV66144-06						X												
SV66144-07							X											
SV66144-08								X										
SV66144-09									X									
SV66144-10										X								
SV66144-11											X							
SV66144-12												X						
SV66144-13													X					
SV66144-14														X				
SV66144-19															X			
SV66144-20																X		
SV66144-17																	X	
SV66144-18																		X

PIÈCES DE REMPLACEMENT ET SERVICE

Pour assurer le bon fonctionnement de votre appareil, vous devez toujours utiliser des pièces d'origine provenant du fabricant. Les pièces d'origine du fabricant sont spécialement conçues pour satisfaire toutes les normes de certification de sécurité applicables. Leur remplacement par des pièces ne provenant pas du fabricant pourrait ne pas assurer la sécurité de l'appareil, entraîner une réduction sévère des performances ainsi qu'un risque de défaillance prématurée. Aussi, le fabricant recommande de toujours vous référer à une entreprise de services compétente et reconnue par le fabricant pour vos pièces de remplacement et appels de service.

8. DÉPANNAGE POUR INSTALLATEUR

⚠ AVERTISSEMENT

Le port de lunettes et de gants de sécurité est recommandé puisque certaines procédures de diagnostic doivent être effectuées alors que l'appareil fonctionne. Porter une attention particulière aux pièces mobiles et aux composantes électriques afin d'éviter tout risque de blessure.

ERREUR	DESCRIPTION	SOLUTION
E01	Position volet alimentation	<p>ÉTAPE 1: Débrancher l'appareil, vérifier le système de volets, enlever tout obstacle indésirable ou saleté (si nécessaire, enlever les filtres et le noyau pour accéder au système de volets). Brancher l'appareil.</p> <p>Si l'ÉTAPE 1 n'a pas réglé le problème, effectuer l'ÉTAPE 2: Ouvrir le compartiment électrique, vérifier si le connecteur J5 (blanc) est bien inséré, vérifier s'il y a des fils mal fixés.</p> <p>Si l'ÉTAPE 2 n'a pas réglé le problème, effectuer l'ÉTAPE 3: Si le volet ne bouge pas du tout, débrancher J7 (rouge) de l'assemblage électronique, connecter le connecteur blanc du système de volets dans J7. Si le volet bouge (mais le système indique encore une erreur), l'assemblage électronique doit être remplacé. Sinon, remplacer le système de volets.</p>
E02	Arrêt volet alimentation	
E03	Volet alimentation	
E05	Position volet évacuation	<p>ÉTAPE 1: Débrancher l'appareil, vérifier le système de volets, enlever tout obstacle indésirable ou saleté (si nécessaire, enlever les filtres et le noyau pour accéder au système de volets). Brancher l'appareil.</p> <p>Si l'ÉTAPE 1 n'a pas réglé le problème, effectuer l'ÉTAPE 2: Ouvrir le compartiment électrique, vérifier si le connecteur J7 (rouge) est bien inséré, vérifier s'il y a des fils mal fixés.</p> <p>Si l'ÉTAPE 2 n'a pas réglé le problème, effectuer l'ÉTAPE 3: Si le volet ne bouge pas du tout, débrancher J5 (blanc) de l'assemblage électronique, connecter le connecteur blanc du système de volets dans J5. Si le volet bouge (mais le système indique encore une erreur), l'assemblage électronique doit être remplacé. Sinon, remplacer le système de volets.</p>
E06	Arrêt volet évacuation	
E07	Volet évacuation	
E09	Position volet recirculation	<p>ÉTAPE 1: Débrancher l'appareil, vérifier le système de volets, enlever tout obstacle indésirable ou saleté (si nécessaire, enlever les filtres et le noyau pour accéder au système de volets). Brancher l'appareil.</p> <p>Si l'ÉTAPE 1 n'a pas réglé le problème, effectuer l'ÉTAPE 2: Ouvrir le compartiment électrique, vérifier si le connecteur J6 (bleu) est bien inséré, vérifier s'il y a des fils mal fixés.</p> <p>Si l'ÉTAPE 2 n'a pas réglé le problème, effectuer l'ÉTAPE 3: Si le volet ne bouge pas du tout, débrancher J5 (blanc) de l'assemblage électronique, connecter le connecteur bleu du système de volets dans J5. Si le volet bouge (mais le système indique encore une erreur), l'assemblage électronique doit être remplacé. Sinon, remplacer le système de volets.</p>
E10	Arrêt volet recirculation	
E11	Volet recirculation	
E22	Débit d'air alimentation	<p>ÉTAPE 1: Débrancher l'appareil. Effectuer une inspection visuelle du système de volets à l'alimentation. Nettoyer les filtres, les grilles de distribution et la bouche d'aspiration extérieure. Vérifier le conduit pour s'assurer qu'il n'est pas écrasé ou plié. Brancher l'appareil.</p> <p>Si l'ÉTAPE 1 n'a pas réglé le problème, effectuer l'ÉTAPE 2: Enlever le conduit d'alimentation. À l'écran ACL, sélectionner MAX pour vérifier si l'appareil est capable d'atteindre le débit sélectionné. Si c'est le cas, revoir le trajet du conduit.</p> <p>Si l'ÉTAPE 2 n'a pas réglé le problème, effectuer l'ÉTAPE 3: À l'écran ACL, sélectionner les valeurs de réglage des débits MIN et MAX et réinitialiser l'appareil. La valeur de débit MAX s'affichera à l'écran ACL. Si le débit MAX est supérieur au débit MAX souhaité, régler les débits MAX et MIN.</p> <p>Si l'ÉTAPE 3 n'a pas réglé le problème, effectuer l'ÉTAPE 4: Remplacer le ventilateur à l'alimentation et répéter l'ÉTAPE 3.</p> <p>Si l'ÉTAPE 4 n'a pas réglé le problème, effectuer l'ÉTAPE 5: Remplacer l'assemblage électronique.</p>
E23	Moteur alimentation (surcharge)	<p>ÉTAPE 1: Débrancher/brancher l'appareil.</p> <p>Si l'ÉTAPE 1 n'a pas réglé le problème, effectuer l'ÉTAPE 2: Retirer le noyau et enlever tout obstacle ou saleté de la roue du ventilateur.</p> <p>Si l'ÉTAPE 2 n'a pas réglé le problème, effectuer l'ÉTAPE 3: Débrancher J2 (blanc) et connecter un système de ventilateur de remplacement. Si cela fonctionne, remplacer le ventilateur à l'alimentation.</p> <p>Si l'ÉTAPE 3 n'a pas réglé le problème, effectuer l'ÉTAPE 4: Remplacer l'assemblage électronique.</p>
E27	Moteur alimentation (durée)	
E28	Moteur alimentation (rétroaction)	
E29	Moteur alimentation (démarrage)	
E24	Moteur alimentation (surtension)	
E25	Moteur alimentation (sous-tension)	<p>ÉTAPE 1: Débrancher/brancher l'appareil. La sous-tension et la surtension peuvent être détectées par une importante fluctuation de l'alimentation électrique de la maison et peuvent arrêter le moteur pour le protéger.</p> <p>Si l'ÉTAPE 1 n'a pas réglé le problème, effectuer l'ÉTAPE 2: Remplacer l'assemblage électronique.</p>

8. DÉPANNAGE POUR INSTALLATEUR (SUITE)

ERREUR	DESCRIPTION	SOLUTION
E26	Moteur alimentation (surchauffe)	ÉTAPE 1: Valider si l'échangeur d'air est exposé à des températures ambiantes se situant dans les limites de fonctionnement (voir p. 4) Si l'ÉTAPE 1 n'a pas réglé le problème, effectuer l'ÉTAPE 2: Remplacer l'assemblage électronique.
E32	Débit d'air évacuation	ÉTAPE 1: Débrancher l'appareil. Effectuer une inspection visuelle du système de volets à l'évacuation. Nettoyer les filtres, les grilles de distribution et la bouche d'aspiration extérieure. Vérifier le conduit pour s'assurer qu'il n'est pas écrasé ou plié. Brancher l'appareil. Si l'ÉTAPE 1 n'a pas réglé le problème, effectuer l'ÉTAPE 2: Enlever le conduit d'alimentation. À l'écran ACL, sélectionner MAX pour vérifier si l'appareil est capable d'atteindre le débit sélectionné. Si c'est le cas, revoir le trajet du conduit. Si l'ÉTAPE 2 n'a pas réglé le problème, effectuer l'ÉTAPE 3: À l'écran ACL, sélectionner les valeurs de réglage des débits MIN et MAX et réinitialiser l'appareil. La valeur de débit MAX s'affichera à l'écran ACL. Si le débit MAX est supérieur au débit MAX souhaité, régler les débits MAX et MIN. Si l'ÉTAPE 3 n'a pas réglé le problème, effectuer l'ÉTAPE 4: Remplacer le ventilateur à l'évacuation et répéter l'ÉTAPE 3. Si l'ÉTAPE 4 n'a pas réglé le problème, effectuer l'ÉTAPE 5: Remplacer l'assemblage électronique.
E33	Moteur évacuation (surcharge)	ÉTAPE 1: Débrancher/brancher l'appareil. Si l'ÉTAPE 1 n'a pas réglé le problème, effectuer l'ÉTAPE 2: Retirer le noyau et enlever tout obstacle ou saleté de la roue du ventilateur.
E37	Moteur évacuation (durée)	Si l'ÉTAPE 2 n'a pas réglé le problème, effectuer l'ÉTAPE 3: Débrancher J3 (rouge) et connecter un système de ventilateur de remplacement. Si cela fonctionne, remplacer le ventilateur à l'évacuation.
E38	Moteur évacuation (rétroaction)	Si l'ÉTAPE 3 n'a pas réglé le problème, effectuer l'ÉTAPE 4: Remplacer l'assemblage électronique.
E39	Moteur évacuation (démarrage)	
E34	Moteur évacuation (surtension)	ÉTAPE 1: Débrancher/brancher l'appareil. La sous-tension et la surtension peuvent être détectées par une importante fluctuation de l'alimentation électrique de la maison et peuvent arrêter le moteur pour le protéger.
E35	Moteur évacuation (sous-tension)	Si l'ÉTAPE 1 n'a pas réglé le problème, effectuer l'ÉTAPE 2: Remplacer l'assemblage électronique.
E36	Moteur évacuation (surchauffe)	ÉTAPE 1: Valider si l'échangeur d'air est exposé à des températures ambiantes se situant dans les limites de fonctionnement (voir p. 4) Si l'ÉTAPE 1 n'a pas réglé le problème, effectuer l'ÉTAPE 2: Remplacer l'assemblage électronique.
E40	Thermistor air extérieur	ÉTAPE 1: Vérifier si le thermistor est bien connecté dans le connecteur J7A. Si l'ÉTAPE 1 n'a pas réglé le problème, effectuer l'ÉTAPE 2: Débrancher le connecteur J7A et vérifier si la résistance mesurée (connecteur du thermistor) se situe entre 5 Kohms et 120 Kohms. Si ce n'est pas le cas, remplacer le thermistor. Si l'ÉTAPE 2 n'a pas réglé le problème, effectuer l'ÉTAPE 3: Remplacer l'assemblage électronique.
E41	Thermistor distribution d'air	ÉTAPE 1: Vérifier si le thermistor est bien connecté dans le connecteur J7B. Si l'ÉTAPE 1 n'a pas réglé le problème, effectuer l'ÉTAPE 2: Débrancher le connecteur J7B et vérifier si la résistance mesurée (connecteur du thermistor) se situe entre 5 Kohms et 120 Kohms. Si ce n'est pas le cas, remplacer le thermistor. Si l'ÉTAPE 2 n'a pas réglé le problème, effectuer l'ÉTAPE 3: Remplacer l'assemblage électronique.
E42	Thermistor assemb. carte électron.	ÉTAPE 1: Remplacer l'assemblage électronique.
E43	Température carte électronique dépasse limite	ÉTAPE 1: Valider si l'échangeur d'air est exposé à des températures ambiantes se situant dans les limites de fonctionnement (voir p. 4) Si l'ÉTAPE 1 n'a pas réglé le problème, effectuer l'ÉTAPE 2: Remplacer l'assemblage électronique.
E50	Perte communication commande	ÉTAPE 1: Débrancher l'appareil, inspecter les fils, brancher l'appareil. Si l'ÉTAPE 1 n'a pas réglé le problème, effectuer l'ÉTAPE 2: Enlever la commande murale du mur et la tester avec un câble court. Si cela fonctionne, passer un nouveau câble dans le mur et réinstaller la commande murale. Si l'ÉTAPE 2 n'a pas réglé le problème, effectuer l'ÉTAPE 3: Tester l'échangeur d'air avec une commande murale de remplacement. Si cela fonctionne, remplacer la commande murale. Si l'ÉTAPE 3 n'a pas réglé le problème, effectuer l'ÉTAPE 4: Remplacer l'assemblage électronique.
E51	Capteur commande murale	ÉTAPE 1: Débrancher l'appareil, inspecter les fils, brancher l'appareil. Si l'ÉTAPE 1 n'a pas réglé le problème, effectuer l'ÉTAPE 2: Remplacer la commande murale.
E60	Mode protection	ÉTAPE 1: Effectuer une inspection générale de l'appareil (volets, noyau, filtres).

8. DÉPANNAGE POUR INSTALLATEUR (SUITE)

AVERTISSEMENT	DESCRIPTION	SOLUTION
W22	Débit d'air alimentation	<p>ÉTAPE 1: Débrancher l'appareil. Effectuer une inspection visuelle du système de volets à l'alimentation. Nettoyer les filtres, les grilles de distribution et la bouche d'aspiration extérieure. Vérifier le conduit pour s'assurer qu'il n'est pas écrasé ou plié. Brancher l'appareil.</p> <p>Si l'ÉTAPE 1 n'a pas réglé le problème, effectuer l'ÉTAPE 2: Enlever le conduit d'alimentation. À l'écran ACL, sélectionner MAX pour vérifier si l'appareil est capable d'atteindre le débit sélectionné. Si c'est le cas, revoir le trajet du conduit.</p> <p>Si l'ÉTAPE 2 n'a pas réglé le problème, effectuer l'ÉTAPE 3: À l'écran ACL, sélectionner les valeurs de réglage des débits MIN et MAX et réinitialiser l'appareil. La valeur de débit MAX s'affichera à l'écran ACL. Si le débit MAX est supérieur au débit MAX souhaité, régler les débits MAX et MIN.</p> <p>Si l'ÉTAPE 3 n'a pas réglé le problème, effectuer l'ÉTAPE 4: Remplacer le ventilateur à l'alimentation et répéter l'ÉTAPE 3.</p> <p>Si l'ÉTAPE 4 n'a pas réglé le problème, effectuer l'ÉTAPE 5: Remplacer l'assemblage électronique.</p>
W32	Débit d'air évacuation	<p>ÉTAPE 1: Débrancher l'appareil. Effectuer une inspection visuelle du système de volets à l'évacuation. Nettoyer les filtres, les grilles de distribution et la bouche d'aspiration extérieure. Vérifier le conduit pour s'assurer qu'il n'est pas écrasé ou plié. Brancher l'appareil.</p> <p>Si l'ÉTAPE 1 n'a pas réglé le problème, effectuer l'ÉTAPE 2: Enlever le conduit d'alimentation. À l'écran ACL, sélectionner MAX pour vérifier si l'appareil est capable d'atteindre le débit sélectionné. Si c'est le cas, revoir le trajet du conduit.</p> <p>Si l'ÉTAPE 2 n'a pas réglé le problème, effectuer l'ÉTAPE 3: À l'écran ACL, sélectionner les valeurs de réglage des débits MIN et MAX et réinitialiser l'appareil. La valeur de débit MAX s'affichera à l'écran ACL. Si le débit MAX est supérieur au débit MAX souhaité, régler les débits MAX et MIN.</p> <p>Si l'ÉTAPE 3 n'a pas réglé le problème, effectuer l'ÉTAPE 4: Remplacer le ventilateur à l'évacuation et répéter l'ÉTAPE 3.</p> <p>Si l'ÉTAPE 4 n'a pas réglé le problème, effectuer l'ÉTAPE 5: Remplacer l'assemblage électronique.</p>
W52	Configuration initiale incomplète	<p>ÉTAPE 1: Appuyer sur + ou - pour accéder au menu sélection.</p> <p>ÉTAPE 2: Compléter la configuration. (Consulter la section 5 pour obtenir plus de détails).</p>
W61	Mode protection surchauffe de l'électronique	<p>L'appareil est actuellement en mode protection. La puissance transmise au moteur est volontairement réduite en vue d'abaisser la température de l'électronique. L'appareil sortira par lui-même de ce mode dès que les conditions seront redevenues normales. Il est donc normal d'observer une diminution des débits durant cette période. Cette condition devrait se produire uniquement lorsque l'appareil est réglé à haute vitesse et situé dans un environnement chaud, par exemple plus de 30 °C (86 °F).</p>

ATTENTION

S'assurer qu'aucun morceau de laine minérale n'entre dans l'appareil durant l'installation. Sinon, cela pourrait réduire le débit et générer des vibrations et du bruit dans l'appareil.

9. ENTRETIEN

⚠ AVERTISSEMENT

Risque de haute tension. Lors de l'entretien ou de la réparation, toujours arrêter l'appareil, puis le débrancher pour éviter tout risque de choc électrique. Le port de lunettes et de gants de sécurité est recommandé lors de la manipulation des composants de l'appareil pour éviter tout risque de blessure qui pourrait être causée par la présence de métal mince.

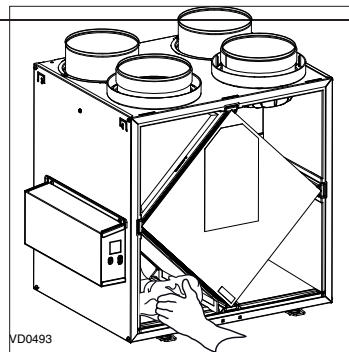
9.1 TRIMESTRIEL

1. Débrancher l'appareil.
2. La porte de l'appareil est munie de charnières et est maintenue fermée par deux loquets. Les ouvrir et mettre la porte de côté.
3. Nettoyer l'intérieur de la porte à l'aide d'un chiffon humide.
4. Nettoyer les filtres:
 - Retirer les filtres.
 - Retirer la poussière à l'aide d'un aspirateur.
 - Laver dans une solution d'eau chaude et de savon doux. De l'eau de Javel peut être ajoutée si désiré pour désinfecter (une cuillerée à table par gallon). Rincer à fond. Secouer les filtres pour retirer l'excès d'eau et laisser sécher.

Note: Le filtre optionnel MERV13 est un filtre jetable. Il doit être remplacé lorsqu'il est trop sale.

Passer l'aspirateur avec un embout à épousseter sur la membrane du filtre MERV13 pour prolonger sa durée de vie.

5. Retirer le noyau.
6. Nettoyer le bac à condensation à l'aide d'un linge humide.
7. Vérifier la bouche d'aspiration extérieure:



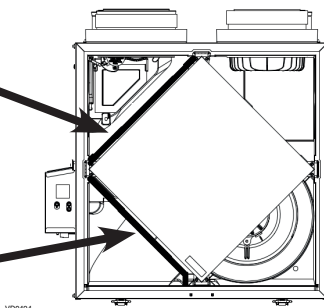
ATTENTION

Une prise d'air ou un filtre bouché, même partiellement, pourrait entraîner un mauvais fonctionnement de l'appareil. Le confort que procure l'appareil pourrait être réduit et le risque de gel de l'appareil pourrait augmenter. Un bris d'appareil et/ou des dommages à la propriété pourraient en résulter.

- S'assurer qu'il n'y a pas de feuilles, de brindilles, de glace ou de neige qui pourraient être aspirées par la bouche d'air.
 - Nettoyer au besoin.
8. Faire tourner les roues des moteurs manuellement. Si l'une d'entre elles tourne difficilement, contacter votre installateur.
 9. Remettre les composants en place. Accorder une attention particulière à ce que les filtres soient correctement engagés dans leurs fentes.
 10. Fermer la porte et rebrancher l'appareil.
 11. Réinitialiser les filtres, si requis. Si une commande murale principale optionnelle est utilisée (DESHUMIDISTAT ou AUTOMATIQUE), appuyer sur le bouton INT/AUTO durant 5 secondes pour réinitialiser les filtres. Si la commande murale principale optionnelle Avancée est utilisée, suivre les instructions à l'écran tactile.

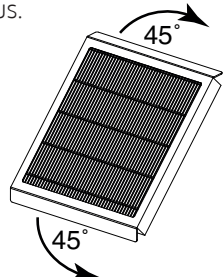
FILTRE MERV8 INCLUS

FILTRE À L'ÉVACUATION INCLUS

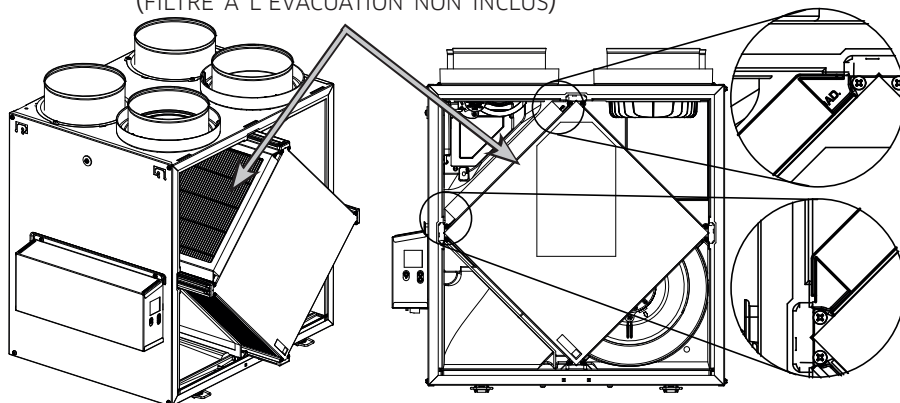


FILTRE OPTIONNEL MERV13 OU FILTRE À MEMBRANE HEPA
(FILTRE À L'ÉVACUATION NON INCLUS)

Tirer le noyau de 3 po à 4 po vers l'extérieur. Plier les deux rabats du filtre MERV13 pour former un angle de 45 degrés, tel qu'illustré ci-dessous.



Installer le filtre MERV13 sur le noyau, tel qu'illustré ci-contre. Pousser le noyau et le filtre MERV13 au fond de l'appareil.



- NOTES: 1. Le filtre optionnel MERV13 remplace le filtre MERV8.
2. Le filtre MERV13 et le filtre à membrane HEPA ont les mêmes instructions d'installation.

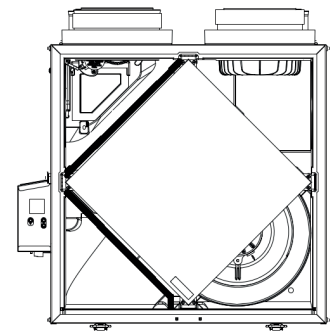
9. ENTRETIEN (SUITE)

9.2 ANNUEL (À L'AUTOMNE)

1. Répéter les étapes 1 à 6 de la section précédente et effectuer les étapes suivantes:

ATTENTION

- Manipuler le noyau de récupération avec soin.



2. Nettoyer le noyau de récupération:

MODÈLES HRV	MODÈLES ERV
<ul style="list-style-type: none"> • Retirer le noyau. • Le laisser tremper dans un mélange d'eau froide ou tiède additionnée de savon à vaisselle. • Rincer abondamment. • Secouer le noyau pour retirer l'excès d'eau, puis le laisser sécher. 	<p>Enlever la poussière à l'aide d'un aspirateur muni d'une brosse à poils doux.</p> <p>ATTENTION: NE PAS FAIRE TREMPER LE NOYAU DE RÉCUPÉRATION D'ÉNERGIE</p>

3. Nettoyer les assemblages du ventilateur. Ne pas désassembler les assemblages du ventilateur.
4. Enlever la poussière à l'aide d'un aspirateur muni d'une brosse à poils doux.
5. Remettre les composantes en place.
6. Rebrancher l'appareil.

10. DÉPANNAGE POUR L'UTILISATEUR

Si l'appareil ne fonctionne pas correctement, le réinitialiser comme suit: débrancher l'appareil, attendre durant une minute puis le rebrancher. Pour tout problème non résolu, communiquer avec le service à la clientèle au 1 800 567-3855.

PROBLÈME	ESSAYER CECI
1. Rien ne fonctionne.	<ul style="list-style-type: none"> • Vérifier si l'appareil est branché. • Vérifier le disjoncteur ou le fusible de la maison alimentant l'appareil.
2. L'appareil est bruyant.	<ul style="list-style-type: none"> • Nettoyer l'appareil (voir la section 9). Si le problème persiste, contacter votre installateur.
3. Condensation à l'intérieur des fenêtres dans des conditions climatiques froides.	<ul style="list-style-type: none"> • Faire fonctionner l'appareil à vitesse MAX au cours d'activités produisant un excès d'humidité (rassemblements familiaux, préparation de plats cuisinés, etc.). • Laisser les rideaux entrouverts pour laisser circuler l'air. • Entreposer le bois de chauffage dans une pièce fermée dotée d'un déshumidificateur ou dans une pièce bien aérée ou l'entreposer à l'extérieur. • Garder la température à l'intérieur de votre maison au-dessus de 18°C (64°F).
4. Humidité à l'intérieur dans des conditions climatiques chaudes/humides.	<ul style="list-style-type: none"> • Faire fonctionner l'appareil à vitesse MIN. • Utiliser temporairement le mode INT (si disponible). • Utiliser un déshumidificateur.
5. Air trop sec.	<ul style="list-style-type: none"> • Faire fonctionner l'appareil à vitesse MIN. • Utiliser temporairement le mode INT (si disponible). • Utiliser temporairement un humidificateur.
6. Air trop froid à la grille de distribution.	<ul style="list-style-type: none"> • S'assurer que les bouches extérieures ne sont pas obstruées. • Faire fonctionner l'appareil à vitesse MIN. • Installer un chauffage d'appoint (contacter votre installateur).

11. GARANTIE

Votre appareil de ventilation est un produit de grande qualité, fabriqué et emballé avec soin. Le fabricant garantit au consommateur, acheteur initial de ses produits, que ceux-ci sont exempts de tout défaut de fabrication pour la période citée plus bas et ce, à partir de la date d'achat originale. La garantie de tous les appareils couvre les pièces seulement contre toute défectuosité pouvant nuire à leur fonctionnement, et elle est d'une durée de cinq (5) ans. Sous réserve d'avoir effectué l'entretien du noyau tel qu'il est mentionné dans le présent guide, le noyau de récupération de chaleur possède une garantie à vie limitée, et le noyau de récupération d'énergie est couvert par une garantie de cinq (5) ans. Si un fonctionnement inadéquat devait se produire, veuillez vous référer au présent guide. Si le problème persiste, la marche à suivre est la suivante:

MARCHE À SUIVRE

Si l'appareil est défectueux, veuillez communiquer immédiatement avec votre entrepreneur en ventilation (voir son adresse sur la page couverture de votre guide). Il déterminera la source du mauvais fonctionnement et effectuera le remplacement ou la réparation, s'il y a lieu. Si jamais il devient impossible de le joindre, téléphonez (en Amérique du Nord) au 1 800 567-3855 où notre personnel se fera un plaisir de vous transmettre le numéro de téléphone du distributeur ou du centre de service le plus près de chez vous.

PIÈCES DE REMPLACEMENT ET SERVICE

Pour assurer le bon fonctionnement de votre appareil, vous devez toujours utiliser des pièces d'origine provenant du fabricant. Les pièces d'origine du fabricant sont spécialement conçues pour satisfaire toutes les normes de certification de sécurité applicables. Leur remplacement par des pièces ne provenant pas du fabricant pourrait ne pas assurer la sécurité de l'appareil, entraîner une réduction sévère des performances ainsi qu'un risque de défaillance prématurée. Le fabricant recommande également de toujours vous référer à une entreprise de services compétente et reconnue par le fabricant pour vos pièces de remplacement et appels de service.

FACTURE

Aucune réparation ou aucun remplacement ne sera couvert par la garantie sans la copie de la facture originale d'achat. Prenez soin de bien la conserver.

FRAIS DIVERS

Les frais de main-d'œuvre et d'expédition relatifs au retrait de la pièce défectueuse et/ou à l'installation de la pièce conforme ne seront, en aucun cas, couverts par le fabricant.

CONDITIONS ET LIMITES

Ces appareils sont conçus pour usage résidentiel seulement et doivent être utilisés dans un bâtiment tel que décrit ci-dessous:

Bâtiment: Toute construction utilisée ou destinée à être utilisée pour abriter ou recevoir des personnes, des animaux ou des choses.

Usage résidentiel: Habitation, logement, suite : Bâtiment, ou partie de bâtiment, servant ou destiné à servir de domicile à une ou plusieurs personnes et qui comporte généralement des installations sanitaires et des installations pour préparer et consommer des repas et pour dormir. Local constitué d'une seule pièce ou d'un groupe de pièces complémentaires et occupé par un locataire ou propriétaire; comprend les logements, les chambres individuelles des motels, hôtels, maisons de chambres, dortoirs et pensions de famille, de même que les magasins et les établissements d'affaires constitués d'une seule pièce dans une habitation.

Usage commercial: Établissement agricole, commercial, de réunion, de soins ou de détention : Bâtiment ou partie de bâtiment qui ne contient pas d'habitation, situé sur un terrain consacré à l'agriculture ou à l'élevage et utilisé essentiellement pour abriter des équipements ou des animaux, ou pour la production, le stockage ou le traitement de produits agricoles ou horticoles ou l'alimentation des animaux. Bâtiment, ou partie de bâtiment, utilisé pour l'étalage ou la vente de marchandises ou de denrées au détail ou utilisé pour la conduite des affaires ou la prestation de services professionnels ou personnels. Bâtiment, ou partie de bâtiment, utilisé par des personnes rassemblées pour se livrer à des activités civiques, politiques, touristiques, religieuses, mondaines, éducatives, récréatives ou similaires, ou pour consommer des aliments ou des boissons. Bâtiment, ou partie de bâtiment, abritant des personnes qui, à cause de leur état physique ou mental, nécessitent des soins ou des traitements médicaux, ou des personnes qui, à cause de mesures de sécurité hors de leur contrôle, ne peuvent se mettre à l'abri en cas de danger.

Usage industriel: Bâtiment, ou partie de bâtiment, utilisé pour l'assemblage, la fabrication, la confection, le traitement, la réparation ou le stockage de produits, de matières ou de matériaux dont le contenu est combustible et qu'il contient des matières très combustibles, inflammables ou explosives en quantité suffisante pour constituer un risque particulier d'incendie. La garantie ci-dessus s'appliquera dans tous les cas où les dommages ne seront pas le résultat d'une installation inadéquate, d'un usage inapproprié, d'abus ou de négligence, de cas fortuit ou de toute autre circonstance hors du contrôle du fabricant. De plus, le fabricant ne sera pas tenu responsable des blessures ou dommages à la propriété personnelle ou immobilière causés directement ou indirectement par l'appareil de ventilation du fabricant. Cette garantie annule toutes les garanties précédentes.

