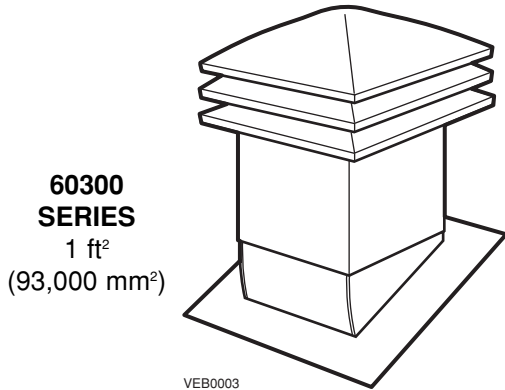


ATTIC VENTILATOR FOR SLOPED ROOF- THREE OPENINGS



60300 SERIES
1 ft²
(93,000 mm²)

VEB0003

PREVENT THE DETERIORATION OF YOUR ROOF WITH THE VENMAR ATTIC VENTILATOR!

The Venmar attic ventilator for sloped roofs, 60300 model, is characterized by its innovative design and ease of installation. Thanks to its 3 openings and excellent ventilation capacity, the 60300 efficiently expels excess humidity, which commonly accumulates in the attic, thereby helping to protect your building against accelerated degradation. In addition, its exclusive multi-slope base fits roof slopes from 1" per foot (1/12) to 16" per foot (16/12) and requires no slope adaptor.

- Innovative concept which prevents snow and rain infiltration
- One piece innovative seamless cap; no infiltration or risk of corrosion
- Exclusive base fits roof slopes from 1" a foot (1/12) to 16" a foot (16/12)
- No slope adaptor necessary
- Fast and easy installation to save time and money
- Discreet look
- 5-year warranty against corrosion

IT'S THE IDEAL PRODUCT TO REPLACE TRADITIONAL ROOF VENTS!

STANDARDS AND REQUIREMENTS

- Complies with CSA Standards CAN3-A93-M82, tested by the CRIQ (Centre de Recherches Industrielles du Québec)
- Ventilated roof area has been calculated considering the standards of the National Building Code, article A19.

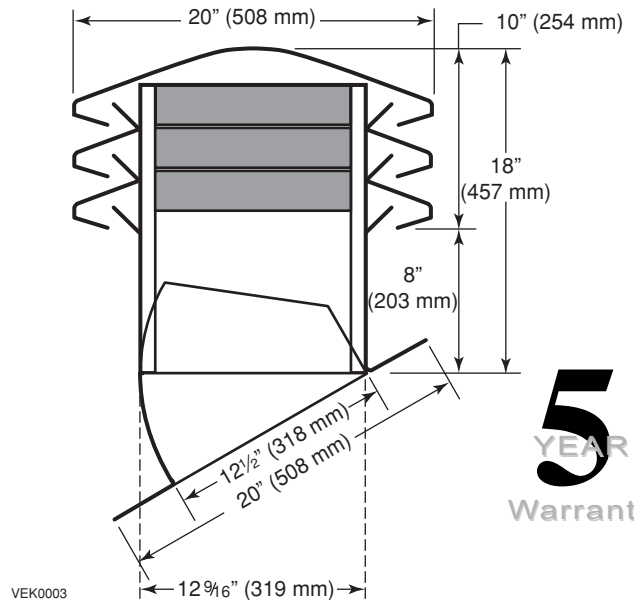
Submitted by:		Date:	Project:
Qty:	Model #:	Remarks:	Location:
			Architect:
			Engineer:
			Contractor:

ATTIC VENTILATOR

SPECIFICATIONS

- Model: 60300 Series
- Net ventilation area: 1 ft² (93,000 mm²)
- Ventilated roof area: 700 to 1,200 ft² (65.03 to 111.5 m²)
- Total weight: 22 lb (10 kg)
- Number of blade(s): 3
- Number of opening(s): 3
- Wire mesh: Fine (1/4" x 1/4")
- Installation: Adjustment screws included (8)
- Base: Multislope
- Material: Top quality galvanized steel G90, 24 to 26 gauge
- Quantity of zinc: 0.90 ounces/ft²
- Paint type: Baked polyester paint
- Colors:
 - Black (60303)
 - Gray (60305)
 - Brown (60306)
- Dimensions of the box: 22 1/2" x 22 1/2" x 20 1/4"

DIMENSIONS



VEK0003

5
YEAR
Warranty

Available at:



Venmar Ventilation inc., 550 Lemire Blvd., Drummondville, QC, Canada J2C 7W9 - Tel.: 1-800-567-3855 Fax: 1-800-567-1715