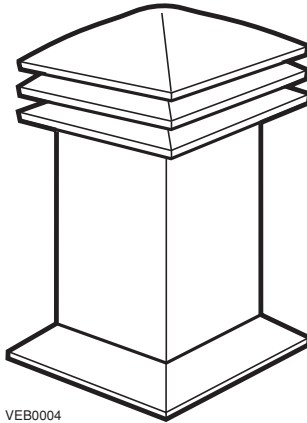


ATTIC VENTILATOR

ATTIC VENTILATOR FOR FLAT ROOF - THREE OPENINGS

**60310
SERIES**
1 ft²
(93,000 mm²)



VEB0004

PREVENT THE DETERIORATION OF YOUR ROOF WITH THE VENMAR ATTIC VENTILATOR!

The Venmar attic ventilator for flat roofs, 60310 model, is characterized by its innovative design and ease of installation. Thanks to its 3 openings and excellent ventilation capacity, the 60310 efficiently expels excess humidity, which commonly accumulates in the attic, thereby helping to protect your building against accelerated degradation.

- Innovative concept which prevents snow and rain infiltration
- One piece innovative seamless cap; no infiltration or risk of corrosion
- Its base has a 45° angle which must be installed on a wooden base covered with the roofing membrane
- Fast and easy installation to save time and money; already assembled
- Discreet look
- 5-year warranty against corrosion

IT'S THE IDEAL PRODUCT TO REPLACE GOOSENECKS!

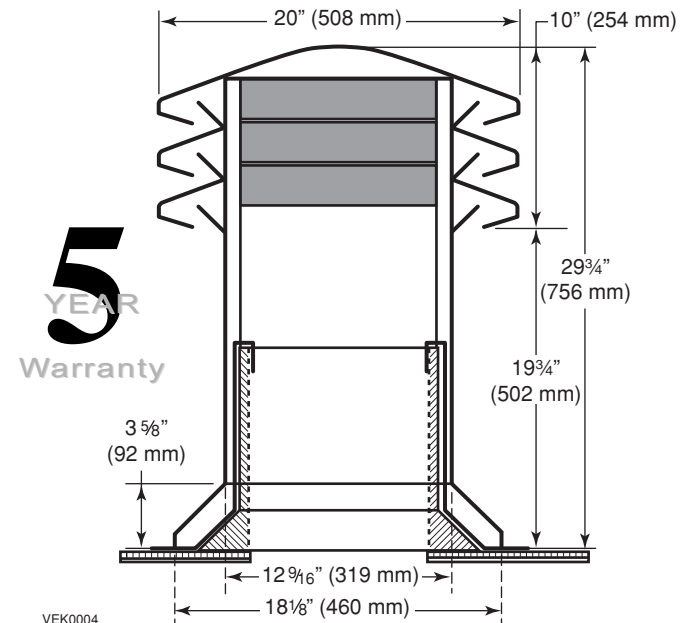
STANDARDS AND REQUIREMENTS

- Complies with CSA Standards CAN3-A93-M82, tested by the CRIQ (Centre de Recherches Industrielles du Québec)
- Ventilated roof area has been calculated considering the standards of the National Building Code, article A19.

SPECIFICATIONS

- Model: 60310 Series
- Net ventilation area: 1 ft² (93,000 mm²)
- Ventilated roof area: 360 to 600 ft² (33.44 to 55.74 m²)
- Total weight: 21 lb (9.5 kg)
- Number of blades and number of openings: 3
- Wire mesh: Fine (1/4" x 1/4")
- No assembly required
- Base: For flat roof with 45° base
- Material: Top quality galvanized steel G90, 24 to 26 gauge
- Quantity of zinc: 0.90 ounces/ft²
- Paint type: Baked polyester paint
- Colors: - Black (60313)
- Gray (60315)
- Brown (60316) (Special order only: 2-week delay for delivery)
- Dimensions of the box: 22 1/2" x 22 1/2" x 30 1/2"
- Only sold by pallets, 8 units per pallet

DIMENSIONS



VEK0004

Available at:

Submitted by:		Date:	Project:
Qty:	Model #:	Remarks:	Location:
			Architect:
			Engineer:
			Contractor:

