



**CONSTRUCTO 1.0 HRV**

**Part no. 41502 (TOP PORTS)**

**Part no. 41500 (SIDE PORTS)**

39 to 98 CFM (0.4 in. w.g.)



VB0069

**AN INGENIOUS AIR EXCHANGE SOLUTION THAT'S AS VERSATILE AS IT IS COMPACT!**

Configured with factory built vertical or horizontal ports, the AVS Constructo 1.0 HRV is the most versatile 98-cfm unit available on the market today. Among its exclusive features, this unit is equipped with integrated balancing and backdraft dampers in its exhaust to outside and fresh air supply ports.

Its operation can be interlocked with an existing furnace without adding an extra relay. Also, for more convenience, its latches can be relocated on its front (as shown on unit picture). This compact, lightweight, and powerful unit is the ideal choice for small single-family homes, high rise residential building and other limited space applications. What's more, it is the only air exchanger of its size that can be upgraded from an HRV to an ERV, simply by changing its core.

- Versatile horizontal or vertical port configuration
- Removable terminal block to ease auxiliary wall control connections
- Integrated pressure taps, if balancing required by building code
- Twin high-pressure blowers
- ENERGY STAR® qualified

**REPAIRS AND MAINTENANCE**

All parts of the AVS Constructo 1.0 HRV that could need maintenance can be removed in less than 5 minutes, allowing direct access for easy repairs. The PSC motors are permanently lubricated. Finally, the removable electrical drawer with pull-out PCB assembly allows easy access for maintenance of major sub-components.

**WARRANTY**

The AVS Constructo 1.0 HRV is protected by a 2-year warranty on parts only. The heat recovery core is covered by a limited lifetime warranty, with the original proof of purchase.

Available at:

**HEAT RECOVERY VENTILATOR**

**Controls**

- This unit is very simple to operate. Once it is installed, press on its push button, located on the bottom of the unit, to activate it. Press once for low speed, once again for high speed, and once more to stop it.
- For more convenience, this unit can also be controlled by an optional main control. For a complete list of optional main and auxiliary controls available, refer to the **Wall Control Compatibility Chart** on last pages of wall controls specification sheet, available at [www.venmar.ca](http://www.venmar.ca).
- For more details about controls, refer to the **Main and auxiliary wall controls** user guide, also available at [www.venmar.ca](http://www.venmar.ca).

**Options**

- Complete line of registers and diffusers
- Electric duct heater
- Dual exterior hood kit (including the Tandem® transition), part no. 14690

**Homeshield™ Defrosting System**

The AVS Constructo 1.0 HRV uses a unique defrosting method. No negative pressure is created by air exhausted to the outside, as the air is recirculated into the house, helping to prevent any backdraft.

STALE AIR FROM BUILDING	OUTSIDE TEMPERATURE		DEFROST CYCLE (IN MINUTES)
	°C	°F	DEFROST/OPERATION
FILTERED AIR TO BUILDING	WARMER THAN -5	WARMER THAN 23	NO DEFROST
	-5 TO -27	23 TO -17	8/25
	-27 & LESS	-17 & LESS	10/22

**Heat Recovery Core**

Dimensions: 13" x 19" x 6 7/8" (33 cm x 48.3 cm x 17.3 cm)

Exchange surface: 55 ft.<sup>2</sup> (5.1 m<sup>2</sup>)

Weight: 3.75 lb. (1.7 kg)

Material: Polypropylene

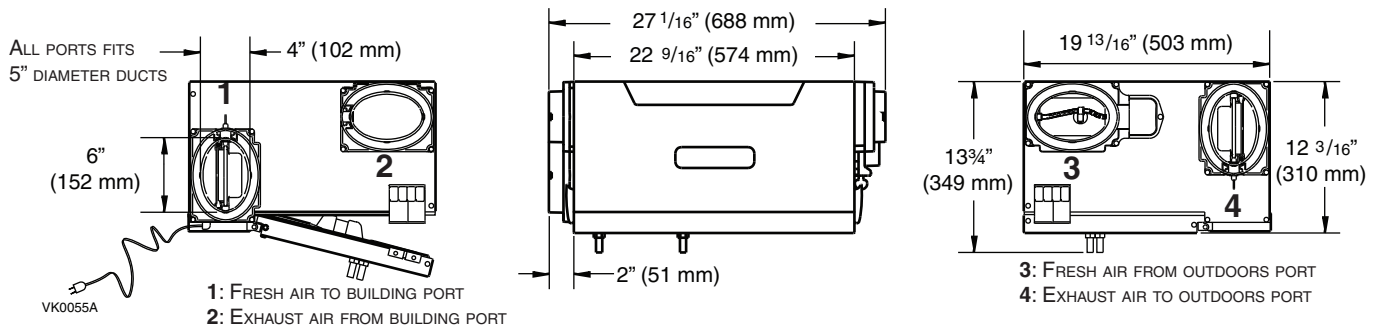
Type: Cross flow

Warranty: Limited lifetime

**Requirements and standards**

- Complies with the UL 1812 requirements regulating the installation of Heat Recovery Ventilators
- Complies with the CSA C22.2 no. 113 Standard applicable to ventilators
- Complies with CSA F326 requirements regulating the installation of Heat Recovery Ventilators
- Technical data was obtained from published results of tests relating to CSA C439 Standards
- HVI certified and ENERGY STAR® qualified

## DIMENSIONS: AVS CONSTRUCTO 1.0 HRV (PORTS ON SIDES)



## VENTILATION PERFORMANCE

EXTERNAL STATIC PRESSURE	NET SUPPLY AIR FLOW			GROSS AIR FLOW						
	L/S	CFM	M <sup>3</sup> /H	SUPPLY			EXHAUST			
PA	IN. W.G.	L/S	CFM	M <sup>3</sup> /H	L/S	CFM	M <sup>3</sup> /H	L/S	CFM	M <sup>3</sup> /H
25	0.1	53	112	191	53	112	190	57	121	204
50	0.2	51	108	184	51	108	184	54	114	194
75	0.3	48	102	172	48	102	173	52	110	187
100	0.4	46	97	167	47	100	168	49	104	178
125	0.5	43	91	155	43	91	156	47	100	170
150	0.6	41	87	148	42	89	151	45	95	163
175	0.7	39	83	139	39	83	141	43	91	155
200	0.8	37	78	134	38	81	136	40	85	144
225	0.9	34	72	124	35	74	126	37	78	134
250	1.0	34	72	121	34	72	122	36	76	129

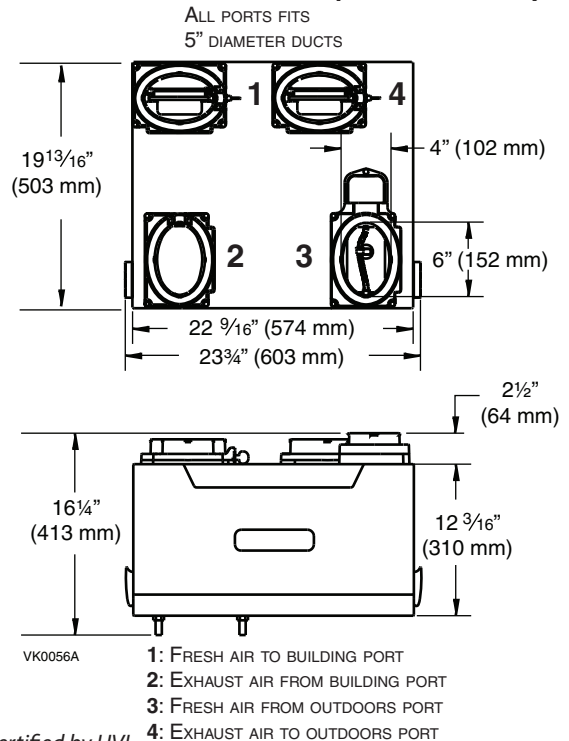
## ENERGY PERFORMANCE

SUPPLY TEMPERATURE	NET AIR FLOW			POWER CONSUMED WATTS	SENSIBLE RECOVERY EFFICIENCY	ADJUSTED SENSIBLE RECOVERY EFFICIENCY	APPARENT SENSIBLE EFFECTIVENESS*	LATENT RECOVERY/MOISTURE TRANSFER
	°C	°F	M <sup>3</sup> /H					
HEATING								
0	32	23	49	85	43	65	70	0.00
0	32	30	64	109	58	62	67	0.00
0	32	39	83	141	70	59	64	0.00
-25	-13	23	49	82	56	60	63	0.00
-25	-13	30	64	109	64	55	58	0.00

\*Data not certified by HVI.

NOTE: All specifications are subject to change without notice.

## AVS CONSTRUCTO 1.0 HRV (PORTS ON TOP)



## SPECIFICATIONS

- Model: AVS Constructo 1.0 HRV
- Part number top ports: 41502
- Part number side ports: 41500
- Total assembled weight (including polypropylene core): 42 lb. (19 kg)
- Core filters: 30 ppi washable foam 10.5" x 6.75" x 0.5" (26.7 cm x 17.2 cm x 1.3 cm)
- Housing: Pre-painted steel
- Insulation: Expanded polystyrene
- Mounting: Suspension by chains and springs
- Supply and exhaust blower motor: 2 motors
  - Protection type: Thermally protected
  - Insulation class: B
- Speed control on unit: Low & high speeds. Other modes available with main and optional wall controls
- Heat recovery core:
  - Heat exchange surface area: 55 ft.<sup>2</sup> (5.1 m<sup>2</sup>)
  - Type/Material: Crossflow/Polypropylene
- Unit electrical characteristics:
 

Volts	Frequency	Ampere	Watts
120	60 Hz	1	120

Project:	REMARKS
Location:	
Part no.:	
Qty.:	
Submitted by:	Date:



Residential Products Group, 550 Lemire Blvd., Drummondville, Qc, Canada J2C 7W9 - Tel.: 1-800-567-3855 Fax: 1-800-567-1715



www.venmar.ca

19/12 PRODUCT SHEET NO. 91047