



VENMAR AVS CONSTRUCTO 1.5

Part no. 43110 Canada
Part no. 1601602 U.S.A.
70 to 163 CFM (0.3 in. w.g.)
64 to 150 CFM (0.4 in. w.g.)



VB0111

CONSTRUCTO SERIES: PERFECT FOR NEW RESIDENTIAL CONSTRUCTIONS

The contractor's priority is to offer affordable improved indoor air quality to the customer. The Venmar AVS Constructo Series is an entry level product that offers all the basic features for the new construction market, such as a small-sized housing, integrated balancing damper and a no negative pressure defrost that ensures quick installation and trouble-free operation. Moreover, its operation can be interlocked with an existing furnace without adding an extra relay. Best price for builders and contractors requiring simple, affordable and reliable products.

- **New removable terminal block:** To ease optional wall controls connection
- **Microprocessors:** A proven technology known for its reliability which allows elimination of numerous electromechanical parts that are most likely to break down

• **ENERGY STAR® qualified**

REPAIRS AND MAINTENANCE

All parts of the AVS Constructo 1.5 that could need maintenance can be removed in less than 5 minutes, allowing direct access for easy repairs. The PSC motor is permanently lubricated.

WARRANTY

The AVS Constructo 1.5 HRV is protected by a 2-year warranty on parts only. The heat recovery core is covered by a limited lifetime warranty.

Available at:

HEAT RECOVERY VENTILATOR

Controls

- This unit is very simple to operate: once it is installed, press on its push button, located on the electrical compartment, to activate it. Press once for low speed, once again for high speed and once more to stop it.
- For more convenience, the following main controls are available:
 - Lite-Touch Constructo no. 40370
 - Constructo no. 40350
- One or more of the following optional controls can be added:
 - Dehumidistat no. 11297
 - 60-min. mechanical timer no. 00910
 - 20-min. lighted push button no. 12030

Options

- Complete line of registers and diffusers
- Electric duct heater

Homeshield™ Defrosting System

The AVS CONSTRUCTO uses a unique defrosting method. No negative pressure is created by air exhausted to the outside, as the air is recirculated into the house, helping to prevent any backdraft.

OUTSIDE TEMPERATURE		DEFROST CYCLE DEFROSTING MIN./ OPERATING MIN.
°C	°F	
WARMER THAN -5	WARMER THAN 23	No DEFROST
-5 to -27	23 to -17	6/32
-27 & less	-17 & less	6/20

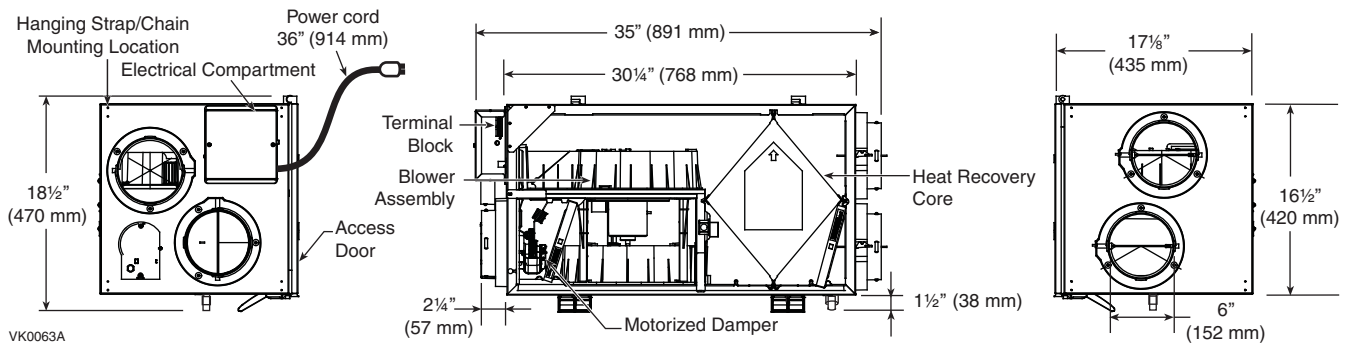
Heat Recovery Core

Dimensions: 12" x 14" x 15½" (30.5 cm x 35.5 cm x 39.4 cm)
Exchange surface: 102 ft² (9.54 m²)
Weight: 6.2 lb (2.8 kg)
Material: Polypropylene (coroplast)
Type: Crossflow core
Warranty: Limited lifetime

Requirements and Standards

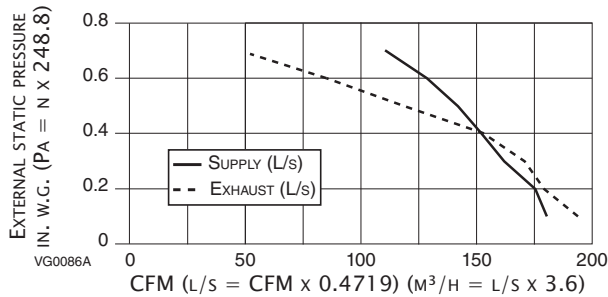
- Complies with the UL 1812 requirements regulating the installation of Heat Recovery Ventilators
- Complies with the CSA C22.2 no. 113 Standard applicable to ventilators
- Complies with CSA F326 requirements regulating the installation of Heat Recovery Ventilators
- HVI certified and ENERGY STAR® qualified
- Technical data was obtained from published results of tests relating to CSA C439 Standards

Dimensions and Service Clearances: Venmar AVS CONSTRUCTO 1.5



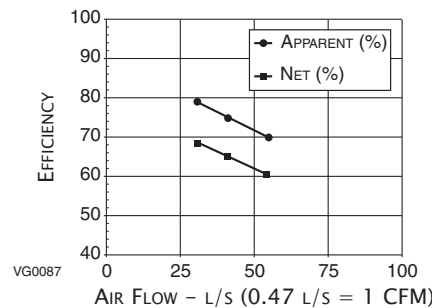
Ventilation Performance

EXT. STATIC PRESSURE	NET SUPPLY AIR FLOW			GROSS AIR FLOW						
	l/s	cfm	m ³ /h	SUPPLY			EXHAUST			
Pa	in. w.g.	l/s	cfm	m ³ /h	l/s	cfm	m ³ /h	l/s	cfm	m ³ /h
25	0.1	85	180	306	86	182	310	92	194	331
50	0.2	82	174	295	82	175	295	86	182	310
75	0.3	77	163	277	77	164	277	81	171	292
100	0.4	71	150	256	71	151	256	71	151	256
125	0.5	67	141	241	67	142	241	57	120	205
150	0.6	60	128	216	61	130	220	40	85	144
175	0.7	51	108	184	52	110	187	27	57	97



Energy Performance

SUPPLY TEMPERATURE		NET AIR FLOW			POWER CONSUMED	SENSIBLE RECOVERY	APPARENT SENSIBLE	LATENT/RECOVERY
°C	°F	L/S	CFM	M ³ /H	WATTS	EFFICIENCY	EFFECTIVENESS	MOISTURE TRANSFER
HEATING								
0	32	31	66	111	62	67	79	-0.01
0	32	40	86	144	75	64	75	-0.01
0	32	57	120	205	90	61	70	-0.01
-25	-13	38	81	137	83	60	76	0.02
COOLING						TOTAL RECOVERY EFFICIENCY		
+35	+95					NOT TESTED		



NOTE: All specifications are subject to change without notice.

Specifications and Ratings

- Model: AVS CONSTRUCTO 1.5
- Part Nos.: 43110 Canada, 1601602 U.S.A.
- Total assembled weight (including polypropylene core): 65 lb (29.5 kg)
- Supply and exhaust air duct connections: 6" (15.24 cm) diameter
- Drains: 1/2" (1.2 cm) fittings with 10 ft (3 m) PVC drain
- Filters: 15 ppi washable reticulated foam 15.375" x 7.125" x 0.75" (39 cm x 18 cm x 1.9 cm)
- Housing: Pre-painted steel
- Insulation: 1" (2.54 cm) aluminum foil faced fiberglass 0.825" (2.10 cm) expanded polystyrene
- Mounting: Suspension by chains and springs
- Supply & Exhaust blower motor: 1 motor
 - Protection type: Thermally protected
 - Insulation class: B
 - V (motor marking): 120 VAC, 50/60 Hz, 1.2/1.0 A, 1050/1300/1660 RPM
- Fan speed control:
 - Low, increased low & high speed
 - Two speeds available to user
 - Low or increased low speed is selected at the time of installation
- Heat recovery core:
 - Heat exchange surface area: 102 ft² (9.54 m²)
 - Type: Crossflow
 - Material: Polypropylene
- Unit electrical characteristics:

Volts	Freq.	Amps	Watts
120	60 Hz	1.3	150

PROJECT:	REMARKS
LOCATION:	
MODEL NO.:	
QTY.:	
SUBMITTED BY:	DATE:



Residential Product Group, 550 Lemire Blvd., Drummondville, QC, Canada J2C 7W9 - Tel.: 1-800-567-3855 Fax: 1-800-567-1715



www.venmar.ca

11/07

PRODUCT SHEET no. 91265