

Venmar EVO5 500 HRV
Part no. EVO5-500
50 to 94 CFM (0.4 in. w.g.)



VB0312

WELCOME TO THE NEW HRV GENERATION!

World has changed since we have started to build HRVs; but even though we are now surrounded by a technologic environment, the basic concerns about home indoor air quality and comfort remain the same. This is why our R&D team conceived a new generation of HRV: the EVO5. Quiet operation, energy efficient, and easy to install, the EVO5 500 unit is also equipped with a user-friendly electronic wall control, which allows to customize the unit operation according to your own needs.

- Fits for homes up to 2 700 sq. ft.*
- 5-in. diameter ports mean smaller duct to ease installation
- Integrated defrost control; allows fast and easy adjustment of the defrost duration according to climatic zones
- Electronic wall control with LCD screen included
- Removable terminal block to ease wall control connections
- Basic installation kit available (part no. IKSU1000, sold separately)
- Quiet operation

* For new constructions, please refer to your local building code.

REPAIRS AND MAINTENANCE

All parts of the EVO5 500 HRV that could need maintenance can be removed in less than five minutes, allowing direct access for easy repairs. The PSC motor is permanently lubricated.

WARRANTY

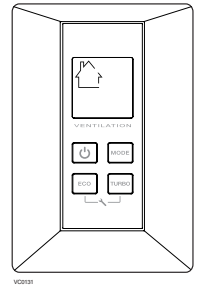
The EVO5 500 HRV is fully protected by a 1-year warranty on all parts and labor in workshop. The heat recovery core is covered by a limited lifetime warranty, with the original proof of purchase. Receive an additional year of warranty for a total of two (2) years on all parts and labor in workshop by registering your product online.

Available at:

HEAT RECOVERY VENTILATOR

Control

- The electronic main wall control, included with the unit, offers 5 operation modes: AUTO, ECO, CONT, RECIRC and TURBO



Options

- Optional bathroom installation kit (part no. IKBV1000) including:
 - One 5-in. diameter non-insulated flexible duct, 20-ft. long
 - One 5-in. diameter diffuser
 - One 5-in. tee connector
 - Four tie-wraps, 24-in. long
 - One 20-minute lighted push-button
 - One control cable, 40-ft. long (Type 22/4).

Defrost System

- The EVO5 500 HRV offers 3 quick access defrost modes:
 - Standard (factory set regular mode)
 - Plus (for people who live in cold region)
 - Discretion (keep the same speed when performing defrost as performing ventilation)

OUTSIDE TEMPERATURE		DEFROST CYCLES		
°C	°F	DEFROST IN MINUTES	AIR EXCHANGE IN MINUTES	
		STANDARD	PLUS	DISCRETION
WARMER THAN -5	WARMER THAN 23	NO DEFROST	NO DEFROST	NO DEFROST
FROM -5 TO -15	FROM 23 TO 5	6/40	10/30	10/40
FROM -15 TO -27	FROM 5 TO -17	5/21	10/20	10/21
-27 AND LESS	-17 AND LESS	8/15	10/15	15/15

Heat Recovery Core

Dimensions: 10 in. x 10 in. x 10 in. (25.4 cm x 25.4 cm x 25.4 cm)

Exchange surface: 67 sq. ft. (6.23 m²)

Weight: 5 lb. (2.3 kg)

Material: Polypropylene

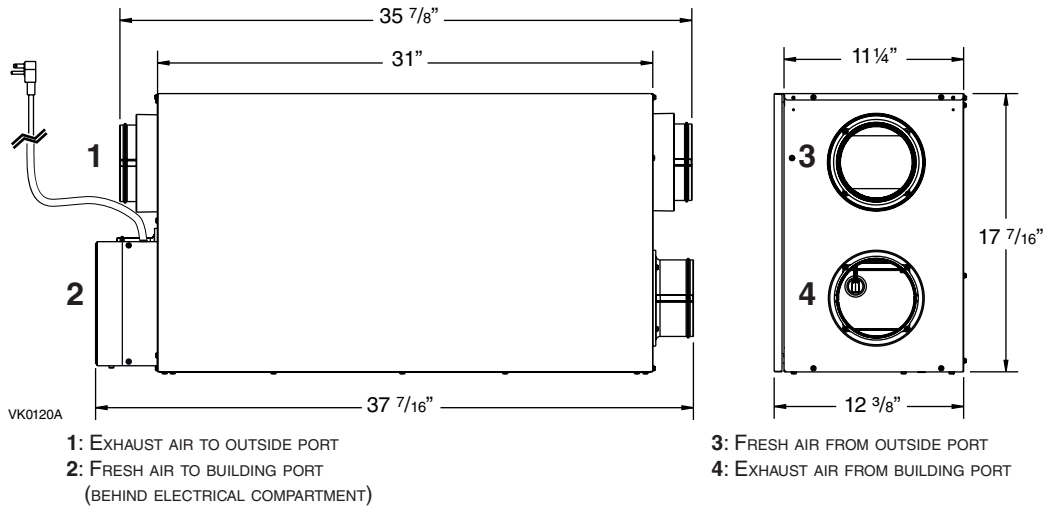
Type: Cross flow

Warranty: Limited lifetime

Requirements and standards

- Complies with the UL 1812 requirements regulating the installation of Heat Recovery Ventilators
- Complies with the CSA C22.2 no. 113 Standard applicable to ventilators
- Complies with CSA C444 requirements regulating the installation of Heat Recovery Ventilators
- Technical data was obtained from published results of tests relating to CSA C439 Standards
- HVI certified

DIMENSIONS: VENMAR EVO5 500 HRV



NOTE: All units ports were created to be connected to ducts having a minimum of 5" diameter, but if need be, they can be connected to bigger sized ducts by using an appropriate transition (e.g.: 5" diameter to 6" diameter transition).

VENTILATION PERFORMANCE

EXTERNAL STATIC PRESSURE		NET SUPPLY AIR FLOW			GROSS AIR FLOW					
PA	IN. W.G.	L/S	CFM	M ³ /H	SUPPLY			EXHAUST		
					L/S	CFM	M ³ /H	L/S	CFM	M ³ /H
25	0.1	52	111	187	52	111	187	57	121	206
50	0.2	49	105	178	49	105	178	53	113	192
75	0.3	47	99	168	47	99	168	50	106	168
100	0.4	44	94	160	44	94	160	48	101	172
125	0.5	42	88	150	42	88	150	45	96	163
150	0.6	39	82	139	39	82	139	43	91	155
175	0.7	35	75	127	35	75	127	41	86	146
200	0.8	32	68	116	32	68	116	39	82	139

ENERGY PERFORMANCE

SUPPLY TEMPERATURE		NET AIR FLOW		POWER CONSUMED	SENSIBLE RECOVERY EFFICIENCY	APPARENT SENSIBLE EFFECTIVENESS	LATENT RECOVERY/MOISTURE TRANSFER
°C	°F	L/S	CFM	WATTS			
HEATING							
0	32	24	51	42	65	76	0.01
0	32	30	64	52	61	70	0.01
-25	-13	23	48	42	60	78	0.02
-25	-13	30	64	53	55	72	0.02

NOTE: All specifications are subject to change without notice.

SPECIFICATIONS

- Model: EVO5 500 HRV
- Part number: EVO5-500
- Total assembled weight (including polypropylene core): 48.5 lb. (22 kg)
- 5" round ports
- Drain: 1/2" (1.2 cm) fittings with 10 ft. (3 m) PVC drain hose
- Core filters: 2 washable
9 3/8" x 10" x 3/8"
(23.8 cm x 25.4 cm x 0.95 cm)
- Housing: Pre-painted steel
- Insulation: Expanded polystyrene
- Installation: Suspension by chains and spring
- Supply and Exhaust Blower Motor: 1 motor
- Protection type: Thermally protected
- Insulation class: B
- Electronic control with LCD screen included:
- 5 operation modes including new ECO and TURBO modes
- Choice of 3 defrost modes
- Heat recovery core:
- Exchange surface: 67 sq. ft. (6.23 m²)
- Type/Material : Crossflow/Polypropylene
- Unit Electrical Characteristics:
Volts Frequency Ampere Watts
120 60 Hz 0.6 68

Project:	REMARKS
Location:	
Part number: EVO5-500	
Quantity:	
Submitted by:	Date :



Venmar Ventilation ULC, 550 Lemire Blvd., Drummondville, Québec, Canada J2C 7W9 800-567-3855



venmar.ca

EVO5500HRVd22_10