



CLEAN AIR LIVING™

**Venmar EVO5 700 HRV HEPA**

**Part no. EVO5-700**

50 to 104 CFM (0.4 in. w.g.)



VB0186

**EVO5 700 HRV HEPA: THE NEW EVO5 SERIES BEST FILTRATION**

Indeed, this heat recovery ventilator is equipped with a HEPA filter that removes 99.97% of allergens and other microscopic particles in the air. It is an obvious energy-efficient choice with its ENERGY STAR® certification. The EVO5 700 HRV HEPA has a cutting-edge look, with its Elastofoam® BASF cover, as well as an ultra-quiet operation, barely audible at low speed (2.5 sones), thanks to the advanced design of its blower. Furthermore, since the EVO5 700 HRV HEPA ducting diameter is reduced to 5 inches, its installation is now easier and faster than before.

- For homes up to 3,000 sq. ft.\*
- 5-in. diameter ports mean smaller duct to ease installation
- Integrated defrost control; allows fast and easy adjustment of the defrost duration according to climatic zones
- Electronic wall control with LCD screen included
- Removable terminal block to ease wall control connections
- Basic installation kit available no. IKS1000 (sold separately)
- Ultra-quiet operation
- ENERGY STAR® qualified

\* For new constructions, please refer to your local building code.

**REPAIRS AND MAINTENANCE**

All parts of the EVO5 700 HRV HEPA that could need maintenance can be removed in less than five minutes, allowing direct access for easy repairs. The PSC motor is permanently lubricated.

**WARRANTY**

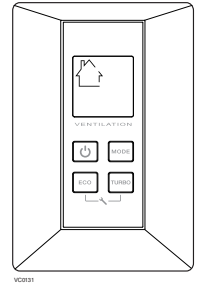
The EVO5 700 HRV HEPA is fully protected by a 1-year warranty on all parts and labor in workshop. The heat recovery core is covered by a limited lifetime warranty, with the original proof of purchase. Receive an additional year of warranty for a total of two (2) years on all parts and labor in workshop by registering your product online.

Available at:

**HEAT RECOVERY VENTILATOR**

**Control**

- The electronic main wall control, included with the unit, offers 5 operation modes: AUTO, ECO, CONT, RECIRC and TURBO.



**Options**

- Optional bathroom installation kit (part no. IKBV1000) including:
  - One 5-in. diameter non-insulated flexible duct, 20-ft. long
  - One 5-in. diameter diffuser
  - One 5-in. tee connector
  - Four tie-wraps, 24-in. long
  - One 20-minute lighted push-button
  - One control cable, 40-ft. long (Type 22/4).

**Defrost System**

- EVO5 700 HRV HEPA offers 3 quick access defrost modes:
  - Standard (factory set regular mode)
  - Plus (for people who live in cold region)
  - Discretion (keeps the same speed when performing defrost as performing ventilation)

OUTSIDE TEMPERATURE		DEFROST CYCLES		
		DEFROST IN MINUTES / AIR EXCHANGE IN MINUTES		
°C	°F	STANDARD	PLUS	DISCRETION
WARMER THAN -5	WARMER THAN 23	No DEFROST	No DEFROST	No DEFROST
FROM -5 TO -15	FROM 23 TO 5	6/40	10/30	10/40
FROM -15 TO -27	FROM 5 TO -17	5/21	10/20	10/21
-27 AND LESS	-17 AND LESS	8/15	10/15	15/15

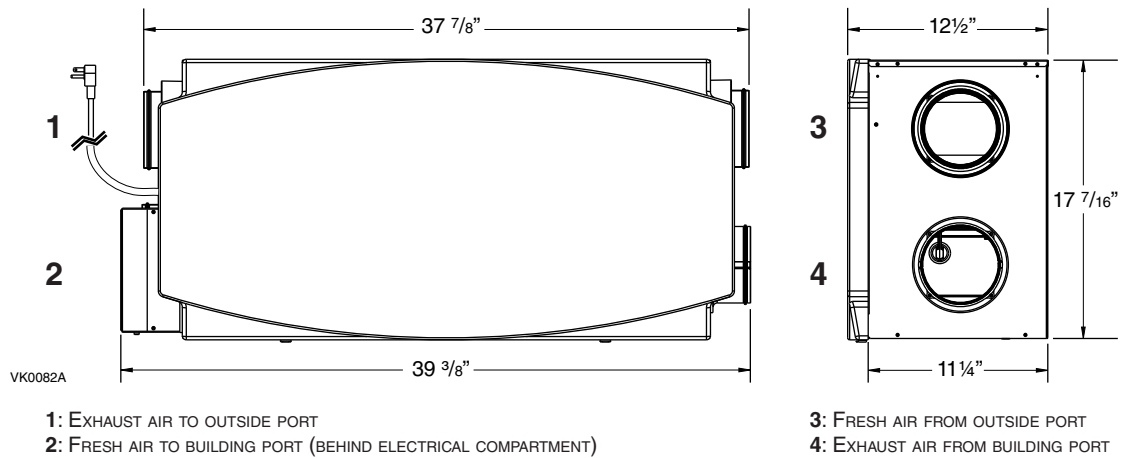
**Heat Recovery Core**

Dimensions: 10 in. x 10 in. x 10 in. (25.4 cm x 25.4 cm x 25.4 cm)  
 Exchange surface: 70 sq. ft. (6.5 m<sup>2</sup>)  
 Weight: 5 lb. (2.3 kg)  
 Material: Polypropylene  
 Type: Cross flow  
 Warranty: Limited lifetime

**Requirements and standards**

- Complies with the UL 1812 requirements regulating the installation of Heat Recovery Ventilators
- Complies with the CSA C22.2 no. 113 Standard applicable to ventilators
- Complies with CSA C444 requirements regulating the installation of Heat Recovery Ventilators
- Technical data was obtained from published results of tests relating to CSA C439 Standards
- HVI certified
- ENERGY STAR® qualified

## DIMENSIONS: VENMAR EVO5 700 HRV HEPA



NOTE: All unit ports were created to be connected to ducts having a minimum of 5" diameter, but if need be, they can be connected to bigger sized ducts by using an appropriate transition (e.g.: 5" diameter to 6" diameter transition).

### VENTILATION PERFORMANCE

EXTERNAL STATIC PRESSURE		NET SUPPLY AIR FLOW			GROSS AIR FLOW					
PA	IN. W.G.	L/S	CFM	M <sup>3</sup> /H	SUPPLY			EXHAUST		
					L/S	CFM	M <sup>3</sup> /H	L/S	CFM	M <sup>3</sup> /H
25	0.1	54	114	194	54	114	194	59	126	214
50	0.2	53	112	190	53	112	190	57	121	206
75	0.3	51	109	185	51	109	185	55	117	199
100	0.4	49	104	177	49	104	177	53	112	190
125	0.5	46	98	166	46	98	166	50	107	182
150	0.6	43	92	156	43	92	156	49	103	175
175	0.7	41	86	146	41	86	146	46	98	166
200	0.8	37	79	134	37	79	134	43	92	156
225	0.9	35	74	126	35	74	126	41	86	146

### ENERGY PERFORMANCE

SUPPLY TEMPERATURE		NET AIR FLOW		POWER CONSUMED WATTS	SENSIBLE RECOVERY EFFICIENCY	APPARENT SENSIBLE EFFECTIVENESS	LATENT RECOVERY/MOISTURE TRANSFER
°C	°F	L/S	CFM				
HEATING							
0	32	24	51	42	65	75	-0.01
0	32	30	64	51	61	71	-0.01
-25	-13	24	51	46	60	78	0.02
-25	-13	30	64	51	55	71	0.03

NOTE: All specifications are subject to change without notice.

### SPECIFICATIONS

- Model: EVO5 700 HRV HEPA
- Part number: EVO5-700
- Total assembled weight (including polypropylene core): 49.5 lb. (22.5 kg)
- Round 5" ports
- Drain: 1/2" (1.2 cm) fittings with 10 ft. (3 m) PVC drain hose
- Core filters: 2 washable 9 3/8" x 10" x 3/8" (23.8 cm x 25.4 cm x 0.95 cm)
- Housing: Pre-painted steel
- Door covering: BASF Elastofoam®
- Insulation: Expanded polystyrene
- Installation: Suspension by chains and springs
- Supply and Exhaust Blower Motor: 1 motor
  - Protection type: Thermally protected
  - Insulation class: B
- Electronic control with LCD screen included:
  - 5 operation modes including new ECO and TURBO modes
  - Choice of 3 defrost modes
  - Heat recovery core:
    - Exchange surface: 70 sq. ft. (6.5 m<sup>2</sup>)
    - Type/Material : Crossflow/Polypropylene
  - Unit Electrical Characteristics:
 

Volts	Frequency	Ampere	Watts
120	60 Hz	0.6	68

Project:	REMARKS
Location:	
Part number: EVO5-700	
Quantity:	
Submitted by:	Date:



Residential Products Group, 550 Lemire Blvd., Drummondville, Qc, Canada J2C 7W9 - Tel.: 1-800-567-3855 Fax: 1-800-567-1715



www.venmar.ca

EVO5700HRVHEPAd131022