
INSTALLATION INSTRUCTIONS AND USER GUIDE

VENMAR MODELS



VB0313

EVO5 700 HRV HEPA



VB0312

EVO5 500 HRV

BROAN MODELS



VB0311

HRV 7.1 HEPA



VB0310

HRV 5.1

⚠ RESIDENTIAL INDOOR USE ONLY ⚠

READ AND SAVE THESE INSTRUCTIONS



7 72371 12623 7

ABOUT THIS GUIDE

First, we want to congratulate you on your purchase of this excellent unit which will allow you and your family to enjoy clean and healthy air throughout your home for years to come!

Since this publication covers several models, the illustrations are typical ones. Some details of your unit may be slightly different than the ones shown.

Please take note that this manual uses the following symbols to emphasize particular information:

⚠ WARNING

Identifies an instruction which, if not followed, might cause serious personal injuries including possibility of death.

CAUTION

Identifies an instruction which, if not followed, may severely damage the unit and/or its components.

NOTE: Indicates supplementary information needed to fully complete an instruction.

ABOUT THESE UNITS

LIMITATION

For residential (domestic) installation only. Installation work and electrical wiring must be done by a qualified person(s) in accordance with all applicable codes and standards, including fire-rated construction codes and standards.

⚠ WARNING

TO REDUCE THE RISK OF FIRE, ELECTRIC SHOCK, OR INJURY TO PERSON(S) OBSERVE THE FOLLOWING:

1. Use this unit only in the manner intended by the manufacturer. If you have questions, contact the manufacturer at the address or telephone number listed in the warranty.
2. We recommend that your unit be inspected by a specialized technician once a year.
3. Before servicing or cleaning the unit, disconnect power cord from electrical outlet.
4. This unit is not designed to provide combustion and/or dilution air for fuel-burning appliances.
5. When cutting or drilling into wall or ceiling, do not damage electrical wiring and other hidden utilities.
6. Do not use the units with any solid-state speed control device other than the corresponding ones listed below:

UNIT	MAIN CONTROL	AUXILIARY CONTROL
EVO5 700 HRV HEPA AND EVO5 500 HRV	40405	40422
HRV 7.1 HEPA AND HRV 5.1	40410	40424

7. This unit must be grounded. The power supply cord has a 3-prong grounding plug for your personal safety. It must be plugged into a mating 3-prong grounding receptacle, grounded in accordance with the national electrical code and local codes and ordinances. Do not remove the ground prong. Do not use an extension cord.
8. Do not install in a cooking area or connect directly to any appliances.
9. Do not use to exhaust hazardous or explosive materials and vapors.
10. When performing installation, servicing or cleaning the unit, it is recommended to wear safety glasses and gloves.
11. Due to the weight of the unit, two installers are recommended to perform installation.
12. When applicable local regulations comprise more restrictive installation and/or certification requirements, the aforementioned requirements prevail on those of this document and the installer agrees to conform to these at his own expense.

CAUTION

1. To avoid premature clogged filters, turn OFF the unit during construction or renovation.
2. Please read specification label on product for further information and requirements.
3. Be sure to duct air outside – Do not intake/exhaust air into spaces within walls or ceiling or into attics, crawl spaces, or garage.
4. Intended for residential installation only in accordance with the requirements of Part 9 of the National Building Code of Canada.
5. Do not run any air ducts directly above or closer than 2 ft (0.61 m) to any furnace or its supply plenum, boiler, or other heat producing appliance. If a duct has to be connected to the furnace return plenum, it must be connected not closer than 9' 10" (3 m) from this plenum connection to the furnace.
6. The ductwork is intended to be installed in compliance with all applicable codes.
7. When leaving the house for a long period of time (more than two weeks), a responsible person should regularly check if the unit operates adequately.
8. If the ductwork passes through an unconditioned space (e.g.: attic), the unit must operate continuously except when performing maintenance and/or repair. Also, the ambient temperature of the house should never drop below 18°C (65°F).

TABLE OF CONTENTS

1. TYPICAL INSTALLATIONS	4
1.1 FULLY DUCTED SYSTEM	4
1.2 CENTRAL DRAW POINT	4
1.3 SIMPLIFIED INSTALLATION	4
2. DIMENSIONS	5
2.1 EVO5 700 HRV HEPA AND HRV 7.1 HEPA UNITS	5
2.2 EVO5 500 HRV AND HRV 5.1 UNITS	5
2.3 JOIST OPENING REQUIRED FOR TANDEM® TRANSITION	5
3. INSTALLATION	6-13
3.1 INSPECT THE CONTENT OF THE BOX	6
3.2 INSTALLATION KITS, TOOLS AND MATERIAL	7
3.3 LOCATING THE UNIT	7
3.4 PLANNING OF THE DUCTWORK	7
3.5 INSTALLING NON-INSULATED DUCTS AND DIFFUSERS	8-9
3.5.1 FULLY DUCTED SYSTEM	8-9
3.5.2 CENTRAL DRAW POINT	9
3.5.3 SIMPLIFIED INSTALLATION	9
3.6 INSTALLING INSULATED FLEXIBLE DUCTS	10-11
3.6.1 CONNECTION TO TANDEM TRANSITION	10
3.6.2 CONNECTION TO THE UNIT PORTS	11
3.7 INSTALLING DUAL EXTERIOR HOOD	11-12
3.7.1 ASSEMBLING DUAL EXTERIOR HOOD	11
3.7.2 LOCATING DUAL EXTERIOR HOOD	11
3.7.3 CONNECTING TANDEM TRANSITION TO DUAL EXTERIOR HOOD	12
3.8 CONNECTING THE DRAIN	13
4. CONTROLS	13-19
4.1 BOOTING SEQUENCE	13
4.2 DEFROST CYCLES	13
4.3 MAIN WALL CONTROL INSTALLATION	14-15
4.4 WALL CONTROL(S) CONNECTION TO THE UNIT	15
4.5 MAIN WALL CONTROL DESCRIPTION	16
4.6 MAIN WALL CONTROL USE	16-19
4.6.1 OPERATION MODES	16-17
4.6.2 TURBO FUNCTION PUSH BUTTON	17
4.6.3 CHANGING RECIRCULATION TO OFF FOR AUTO AND ECO MODES	18
4.6.4 SETTING THE DISPLAYED TEMPERATURE UNIT	18
4.6.5 UNIT MAINTENANCE INDICATOR	17
4.6.6 HOW TO CHANGE MINIMUM AND MAXIMUM AIR EXCHANGE TEMPERATURE LIMITS FOR ECO AND AUTO MODES	19
5. MAINTENANCE	20-22
5.1 MAINTENANCE CYCLES	20
5.2 REGULAR MAINTENANCE	21-22
5.3 ANNUAL MAINTENANCE	22
6. SERVICE PARTS	22
7. TROUBLESHOOTING	23
8. WARRANTY	24

1. TYPICAL INSTALLATIONS

Use the following illustrations as guidelines to help you decide on how the unit will be installed.

All the units should be hung from the joists.

In every case, bathroom fans and a range hood could be used to exhaust stale air. However, please note that an optional bathroom installation kit (no. IKBV1000 for Venmar units and no. IKB1000 for Broan units) is available for house where there is no bathroom fans. Also, for homes with more than one level, we recommend one exhaust register at the highest level.

There are 3 installation methods: Fully Ducted System, Central Draw Point and Simplified Installation.

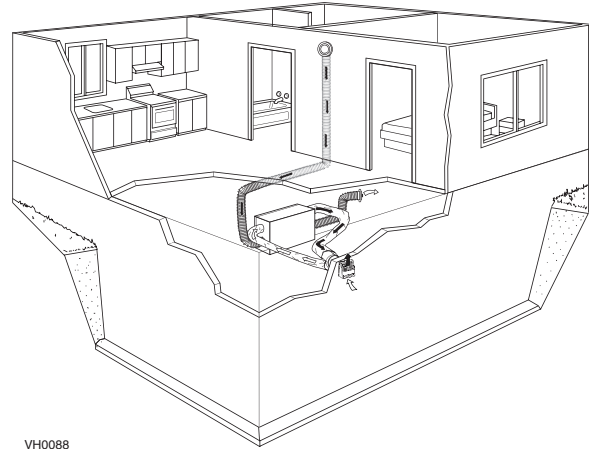
NOTE: An electrical outlet has to be available within 3 feet of the unit.

1.1 FULLY DUCTED SYSTEM (PRIMARYLY FOR HOMES WITH RADIANT HOT WATER OR ELECTRIC BASEBOARD HEATING)

Stale air coming from the register located at the highest level of the house is exhausted to the outside. Fresh air from outside is filtered and supplied by the register located in the lowest liveable level.

Homes with more than one level require at least one exhaust register at the highest level.

See figure at right.



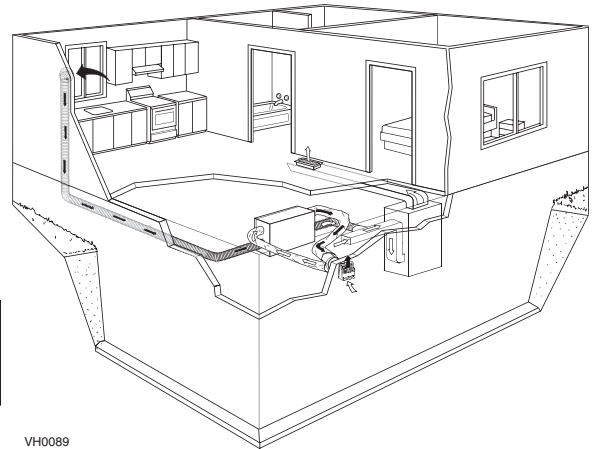
1.2 CENTRAL DRAW POINT (CONNECTION TO A FORCED AIR SYSTEM)

Stale air coming from the register located at the highest level of the house is exhausted to the outside. Fresh air from outside is filtered and supplied to the return (plenum) or the supply duct of the forced air unit. See figure at right.

For this type of installation, it is not essential that the forced air system blower runs when the unit is in operation, but we recommend it.

NOTE: Home with multiple forced air systems should have one unit on each system.

CAUTION
Do not connect the unit to any forced air system supply duct.



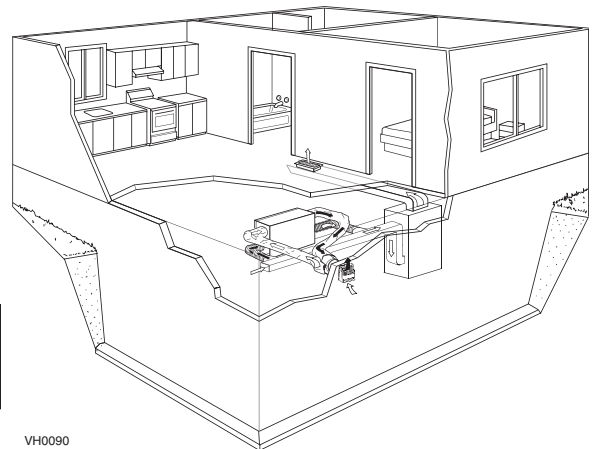
1.3 SIMPLIFIED INSTALLATION (CONNECTION TO A FORCED AIR SYSTEM)

Stale air is exhausted to the outside. Fresh air from outside is filtered and supplied to the return (plenum) or the supply duct of the forced air unit. See figure at right.

To avoid cross-contamination and achieve the highest efficiencies, the forced air system blower must always be ON.

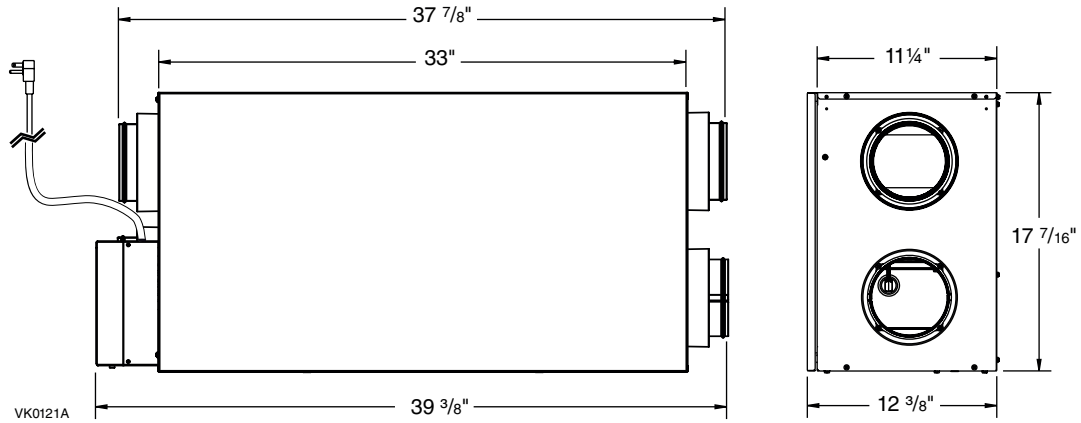
NOTE: Home with multiple forced air systems should have one unit on each system.

CAUTION
Do not connect the unit to any forced air system supply duct.

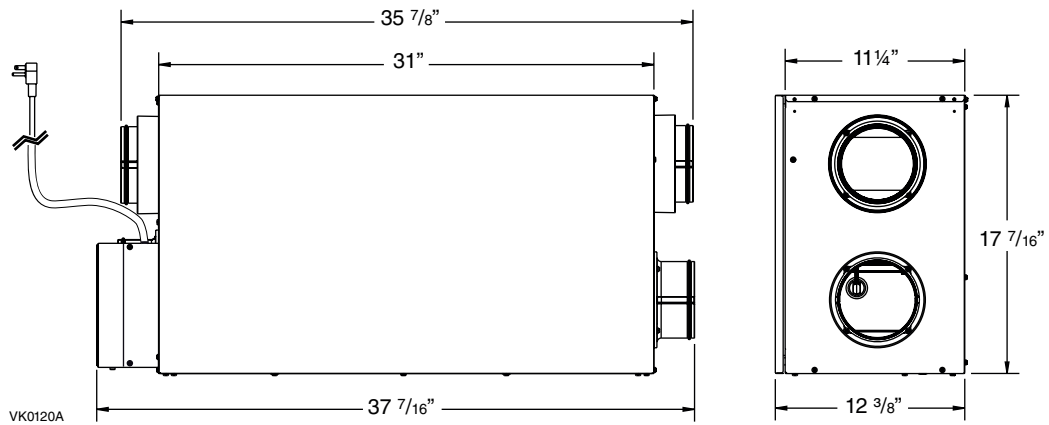


2. DIMENSIONS

2.1 EVO5 700 HRV HEPA AND HRV 7.1 HEPA UNITS



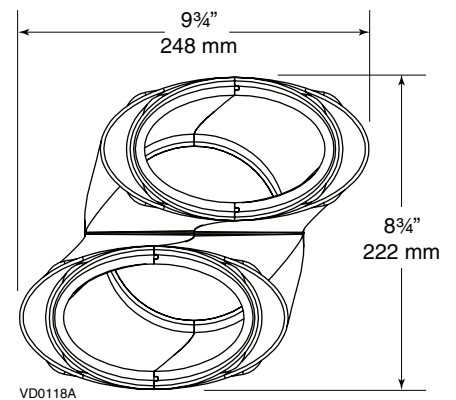
2.2 EVO5 500 HRV AND HRV 5.1 UNITS



2.3 JOIST OPENING REQUIRED FOR TANDEM[®] TRANSITION

The joist opening needed to install the Tandem transition* (included in ISKV1000 and ISKB1000 installation kits) must be 9³/₄" (248 mm) minimum. Also, the maximum height of the Tandem transition is 8³/₄" (222 mm). See Tandem transition end view at right.

* Patented



3. INSTALLATION

3.1 INSPECT THE CONTENT OF THE BOX

NOTE: Before proceeding to the installation, check the content of the box. If items are missing or damaged, contact the manufacturer. Remove all packaging material from the unit.

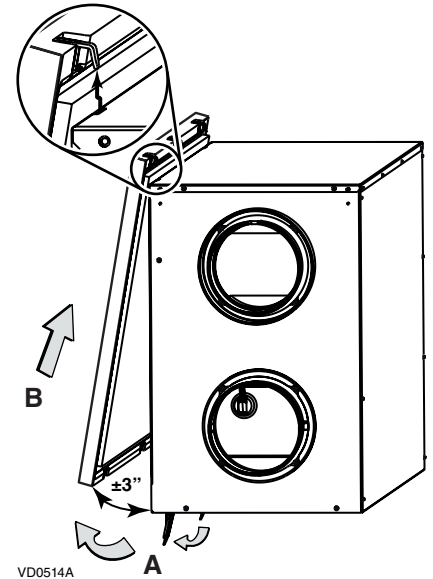
- Inspect the exterior of the unit for shipping damage. Ensure that there is no damage to the door, door latches, ports, power cord, etc.

- Unlatch, open (A) and remove (B) the unit door.

CAUTION

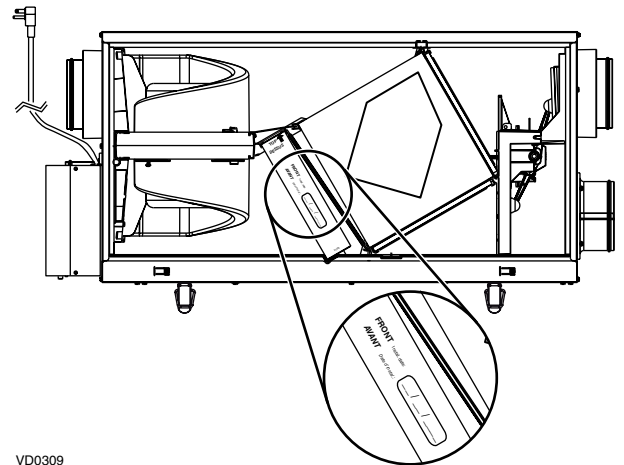
In order to prevent damages to the door hooks, do not open completely the unit door; tilt it about 3" from the unit base and lift it up. See illustration at right.

- Remove the transport tape over the heat recovery core of the unit.



- Inspect the inside of the unit for damage. Ensure that blower assembly, heat recovery core, core filters, insulation, dampers, prefilter and HEPA filter (EVO5 700 HRV HEPA and HRV 7.1 HEPA units only), etc. are all intact, then reinstall the door.

NOTE: On EVO5 700 HRV HEPA and HRV 7.1 HEPA units only, write the installation date on the HEPA filter frame for future reference (see illustration at right).



3. INSTALLATION

3.2 INSTALLATION KITS, TOOLS AND MATERIAL

The installation kit needed to perform most installations is ICSV1000 for Venmar units and IKSB1000 for Broan units. Following are the tools and material needed:

- Measuring tape
- Phillips no. 2 or Robertson no. 2 screwdriver
- Small flat blade screwdriver (for wall control connection)
- Wire stripper (for wall control connection)
- Hammer and flat blade screwdriver (for plenum connection installation only, to make holes in existing metal duct)
- Scissors or utility knife (to cut duct tape)
- Duct tape
- Tin snips or metal shear (for plenum connection installation only, to cut ductwork)
- Aluminum duct tape (for plenum connection installation only)
- Jig saw
- Caulking gun and caulking.

3.3 LOCATING THE UNIT

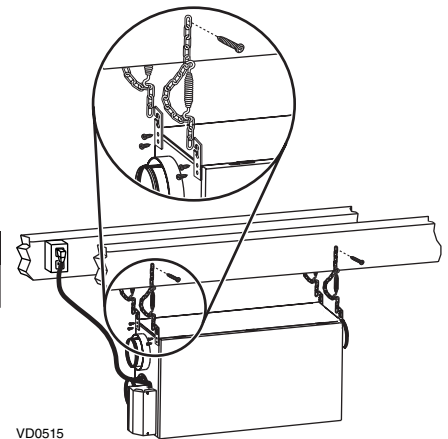
Choose an appropriate location for the unit.

- Within an area of the house **where the ambient temperature is kept between 10°C (50°F) and 40°C (104°F)**
- Away from living areas (dining room, living room, bedroom), if possible
- So as to provide easy access to the interior of the unit, for regular and annual maintenance
- Close to an exterior wall, so as to limit the length of the insulated flexible duct to and from the unit
- Away from hot chimneys and other fire hazards
- Allow for a power source (standard 3-prong grounding outlet)
- Close to a drain. If no drain is close by, use a pail to collect run-off.

Hang the unit with the four hooks, chains and springs provided. See illustration at right.

CAUTION

Make sure the unit is level.



3.4 PLANNING OF THE DUCTWORK

- Keep it simple. Plan for a minimum of bends and joints.
- Keep the length of insulated ducts to a minimum.
- Do not ventilate crawl spaces or cold rooms. Do not attempt to recover the exhaust air from a dryer or a range hood. This would cause clogging of the filters and recovery module.
- If the house has two floors or more, be sure to plan for at least one exhaust register on the highest lived-in level.

3. INSTALLATION (CONT'D)

3.5 INSTALLING NON-INSULATED DUCTS AND DIFFUSERS

3.5.1 FULLY DUCTED SYSTEM (AS ILLUSTRATED IN SECTION 1.1)

⚠ WARNING

Never install a stale air exhaust diffuser in a closed room where a combustion device operates, such as a gas furnace, a gas water heater or a fireplace.

Stale air exhaust ductwork

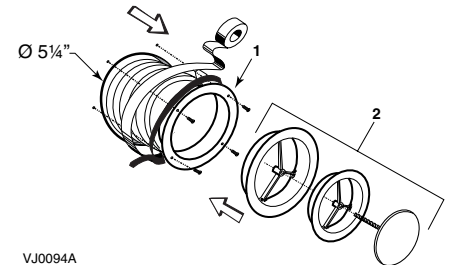
- Install the stale air exhaust diffuser in the main area where the contaminants are produced: kitchen, living room, etc. Position the diffuser as far from the stairway as possible and in such a way that the air circulates in all the lived-in spaces in the house. If desired, you can install another diffuser (sold separately).
- If a diffuser is installed in the kitchen, it must be located at least 4 feet (1.2 m) from the range.
- Install the diffuser 6 to 12 inches (152 to 305 mm) from the ceiling on an interior wall OR install it in the ceiling.

Fresh air distribution ductwork

- Install the fresh air distribution diffuser in a large, open area in the lowest level to ensure the greatest possible air circulation.
- Keep in mind that the fresh air diffuser must be located as far as possible from the stale air diffuser. If desired, you can install another diffuser (sold separately).
- Install the diffuser either in the ceiling OR 6 to 12 inches (152 to 305 mm) from the ceiling on an interior wall. (The cooler air will then cross the upper part of the room and mix with room air, before descending to occupant's level.)
- If a register must be floor installed, direct the airflow up the wall.

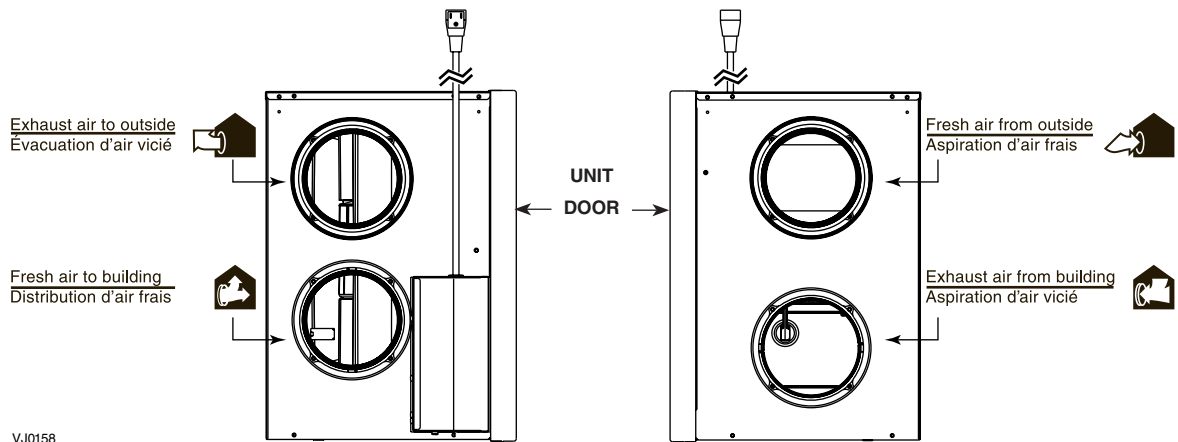
HOW TO CONNECT THE FLEXIBLE DUCTS TO THE DIFFUSERS

Once the diffusers location is determined, cut out 5¼" diameter hole. Run one end of the flexible duct through the hole and fix it to the diffuser base (1), using a tie wrap and duct tape. Assemble the diffuser base to the wall (or ceiling) using its 4 no. 8 x 3/4" screws. Then, slide in the diffuser (2). See illustration at right.



UNIT PORTS IDENTIFICATION

Each unit port has an identification label beside it to avoid wrong duct connections to the unit. Always refer to these labels before performing any duct and port connection.



3. INSTALLATION (CONT'D)

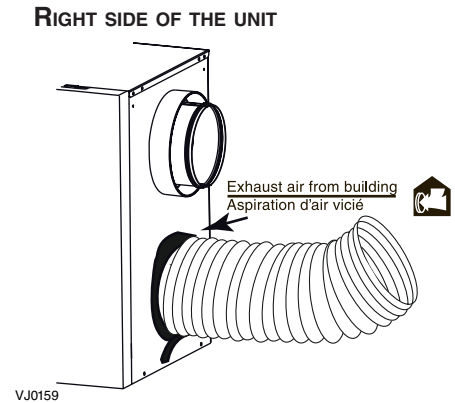
3.5 INSTALLING NON-INSULATED DUCTS AND DIFFUSERS (CONT'D)

3.5.1 FULLY DUCTED SYSTEM (AS ILLUSTRATED IN SECTION 1.1) (CONT'D)

HOW TO CONNECT THE FLEXIBLE DUCTS TO THE UNIT PORTS

Both flexible ducts attached to the diffusers must be connected to the bottom ports of the unit. When facing the unit door, the fresh air to building port is located on left side and the exhaust air from building port is on the right side. Refer to the identification labels affixed beside each unit ports. Using tie wrap, attach the fresh air to building duct to its corresponding port, then do the same for the exhaust air to building duct and port. See illustration at right.

NOTE: Use an insulated duct (not included) if the duct will have to go through a space where it is possible to experience extreme temperature conditions (eg: in northern area, not unheated attic in winter or uncooled attic in southern area). Also, if you plan to stop the unit for more than 12 hours, we recommend to cover the duct with R12 insulation.



3.5.2 CENTRAL DRAW POINT (AS ILLUSTRATED IN SECTION 1.2)

Stale air exhaust ductwork

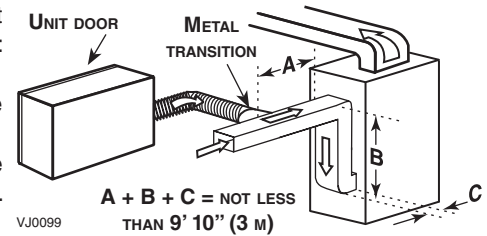
Same as for Fully Ducted System, described in step 3.5.1.

Fresh air distribution ductwork

⚠ WARNING

When performing duct connections, always use approved tools and materials. Respect all corresponding laws and safety regulations. Please refer to your local building code.

- Locate the opening for fresh air ductwork on the forced air unit return duct at a minimum linear distance of 9' 10" (3 m) upstream (from forced air unit drop: **A+B+C**). Cut out a 5" Ø hole in this location, using metal shear.
- Use a metal transition (not included, available in hardware store) to connect the unit duct to the forced air unit return duct.
- Attach the other end of the flexible duct to the fresh air to building port (see icon on the left side of the unit). Use tie wrap and duct tape to seal the connection. See illustration at right.



3.5.3 SIMPLIFIED INSTALLATION (AS ILLUSTRATED IN SECTION 1.3)

Fresh air distribution ductwork (return side connection)

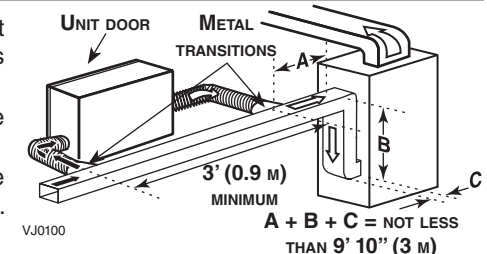
Same as for Central Draw Point, described in step 3.5.2.

Stale air exhaust ductwork (return side connection)

⚠ WARNING

When performing duct connections, always use approved tools and materials. Respect all corresponding laws and safety regulations. Please refer to your local building code.

- Locate the opening for stale air ductwork on the forced air unit return duct at least 3' (0.9 m) from fresh air ductwork connection. Cut out a 5" Ø hole in this location, using metal shear.
- Use a metal transition (not included, available in hardware store) to connect the unit duct to the forced air unit return duct.
- Attach the other end of the flexible duct to the exhaust air from building port (see icon on the right side of the unit). Use tie wrap and duct tape to seal the connection. See illustration at right.



CAUTION

The furnace blower must be running when the ventilation unit is in operation.

3. INSTALLATION (CONT'D)

3.6 INSTALLING INSULATED FLEXIBLE DUCTS

CAUTION

Make sure the vapor barrier on the insulated ducts does not tear during installation to avoid condensation within the ducts.

Use the following procedure for connecting the insulated flexible ducts to the Tandem[®] transition (exhaust air to outside and fresh air from outside).

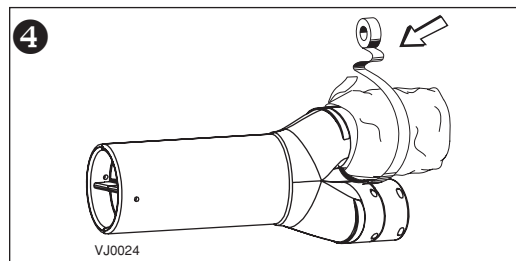
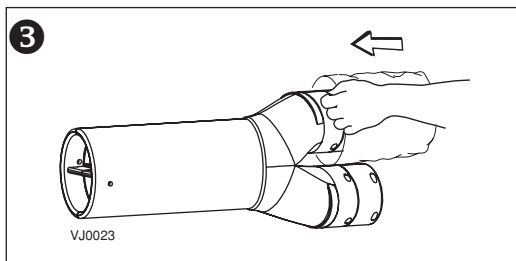
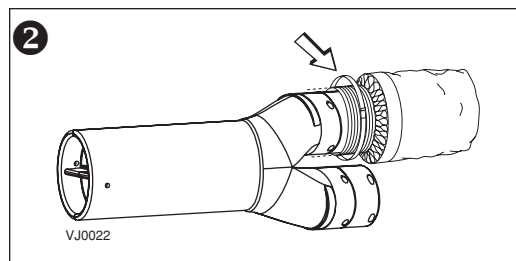
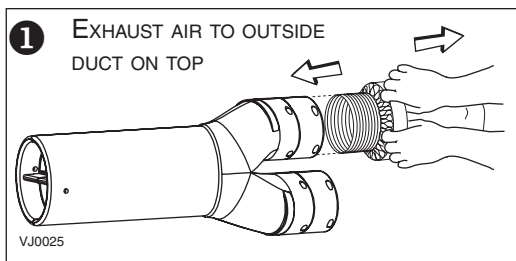
NOTE: If the joists are perpendicular to the ducts, or if the connection to the exterior hood is in a limited area, the installation will need two exterior hoods instead of one. In this case, do not use the Tandem transition; go to point 3.6.2 and refer to the optional single hood enclosed instructions.

3.6.1 CONNECTION TO TANDEM TRANSITION

- 1 For each duct, pull back the insulation to expose the interior flexible duct.
- 2 Connect the interior flexible duct to the smaller part of the Tandem transition (5" oval) using a tie wrap.
- 3 Pull the insulation over the joint. Pull the vapor barrier over the insulation.
- 4 Apply duct tape gently to the joint in order to make an airtight seal. See figures below.

CAUTION

The exhaust air to outside duct MUST BE connected to the TOP of Tandem transition.



3. INSTALLATION (CONT'D)

3.6 INSTALLING INSULATED FLEXIBLE DUCTS (CONT'D)

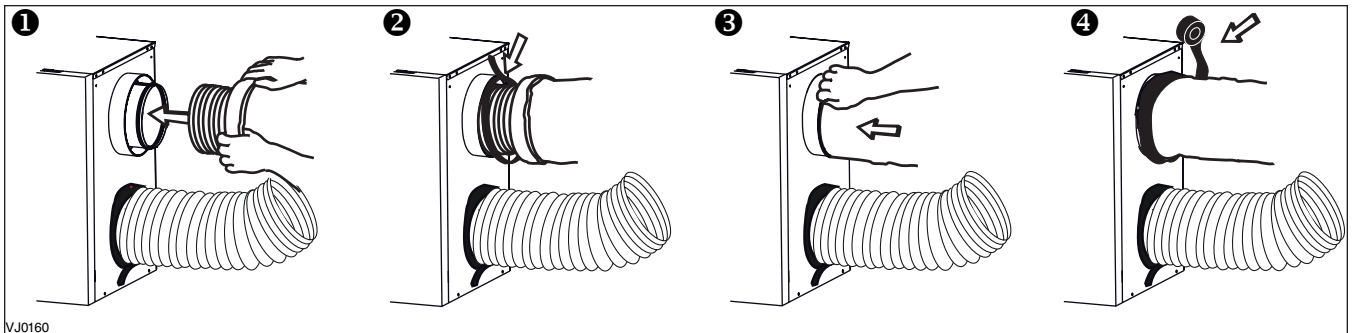
3.6.2 CONNECTION TO THE UNIT PORTS

Use the following procedure for connecting the insulated flexible ducts to the unit ports (exhaust air to outside and fresh air from outside). Refer to identification labels beside ports before performing any duct and port connection.

- ❶ For both remaining ducts, pull back the insulation to expose the interior flexible duct.
- ❷ Connect the interior flexible duct to the inner ring of the port using a tie wrap.
- ❸ Pull the insulation over the joint and tuck it between the inner and outer rings of the port. Pull the vapor barrier over the insulation and over the outer ring of the port.
- ❹ Apply duct tape carefully to the joint in order to make an airtight seal. See figures below.

CAUTION

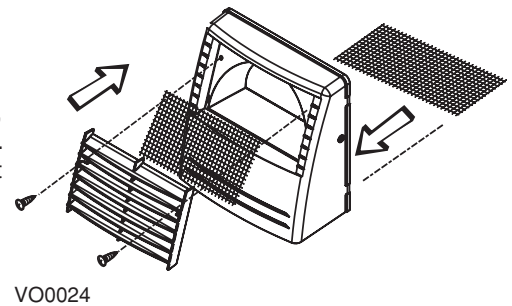
Avoid compressing the insulation when you pull the tape tightly around the joint. Compressed insulation loses its insulation properties and causes water dripping due to condensation on the exterior surface of the duct.



3.7 INSTALLING DUAL EXTERIOR HOOD*

3.7.1 ASSEMBLING DUAL EXTERIOR HOOD

Exterior dual hood is sent in separate parts. Using included 2 no. 8 x 3/4" screws, assemble the top metal screen and the plastic grille to the dual exterior hood. Then, slide the bottom metal screen to the dual exterior hood. See illustration at right.



* Patented

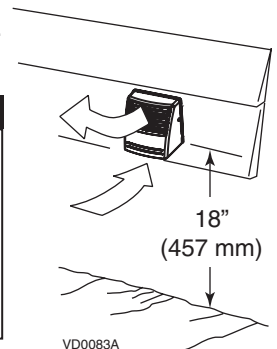
3.7.2 LOCATING DUAL EXTERIOR HOOD

The dual exterior hood must be installed at a minimum distance of 18 inches (457 mm) from the ground. See illustration at right.

⚠ WARNING

Make sure this hood is at least 6 feet (1.8 m) away (or more, as per applicable building codes or standards) from any of the following:

- **Dryer exhaust, high efficiency furnace vent, central vacuum vent**
- **Gas meter exhaust, gas barbecue-grill**
- **Any exhaust from a combustion source**
- **Garbage bin and any other source of contamination**



3. INSTALLATION (CONT'D)

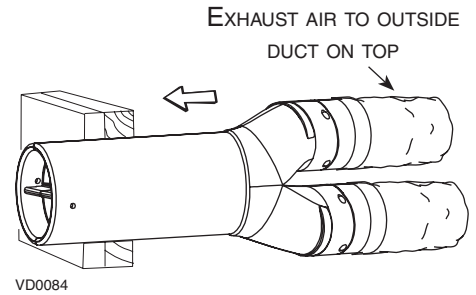
3.7 INSTALLING DUAL EXTERIOR HOOD (CONT'D)

3.7.3 CONNECTING TANDEM TRANSITION TO DUAL EXTERIOR HOOD

- 1 Using a jig saw, cut a 6" diameter hole in the exterior wall and slide the single end of the Tandem transition in it.

CAUTION

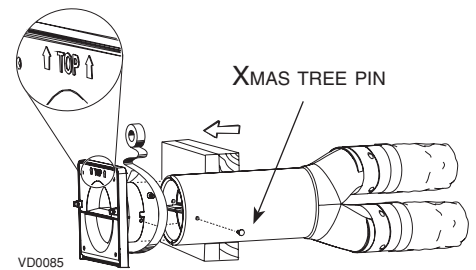
The Tandem transition must be inserted in such a way that the exhaust air to outside duct will be located on top.



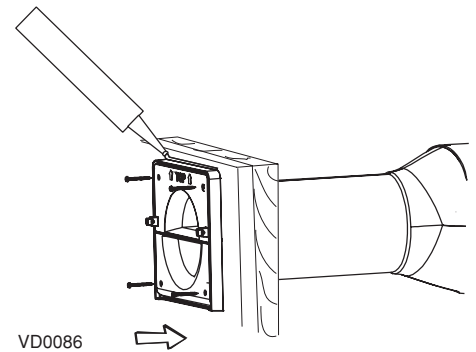
- 2 Join the end of the Tandem transition to the rear of the exterior backplate. Secure with 2 Xmas tree pins and seal properly with duct tape.

CAUTION

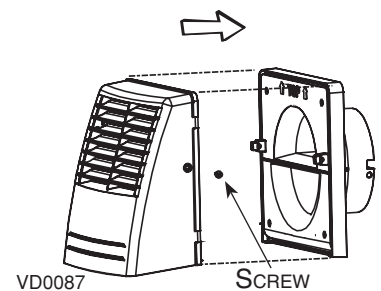
The exterior backplate must be installed with the word "TOP" pointing upward.



- 3 Lean the exterior backplate to the exterior wall. Using 4 no. 8 x 1½" screws, fix it to the wall. Seal the outline with caulking.

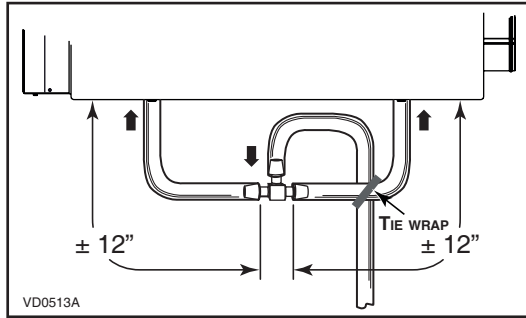


- 4 Snap the assembled exterior hood on its backplate and secure with 2 provided screws (no. 8 x 3/4").

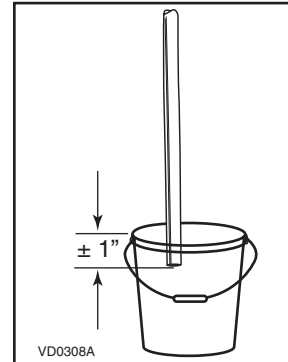


3. INSTALLATION (CONT'D)

3.8 CONNECTING THE DRAIN



Cut two sections of plastic tubing, approximately 12" long, and connect each one to both inner drain fittings located under the unit as shown. Join these both sections to the "T" junction and main tube as shown, to prevent the unit from drawing unpleasant odors from the drain source.



Run the tube to the floor drain or to an alternative drain pipe or pail.

IMPORTANT

If using a pail to collect water, locate the tube end approximately 1" from the top of the pail in order to prevent water from being drawn back up into the unit.

4. CONTROLS

This unit is equipped with an integrated defrost control located under the electrical compartment of the unit. Plug the unit.

4.1 BOOTING SEQUENCE

The unit booting sequence is similar to a personal computer boot sequence. Each time the unit is plugged after being unplugged, or after a power failure, the unit will perform a booting sequence before starting to operate.

During the booting sequence, the integrated defrost control LED (2 in illustration below) will be OFF for 3 seconds, and then will turn RED for the rest of the booting sequence (approximately 15 seconds). During this RED light phase, the unit is checking and resetting the motorized damper position. Once the motorized damper position completely set, the booting sequence is done; the color of the LED will show on which defrost cycle the unit is set.

NOTE: No command will be taken until the unit is fully booted.

If a problem occurs during the unit operation, its integrated control LED (2) will blink. The color of the blinking light depends on the type of error detected. Refer to Section 7 Troubleshooting on last page for further details.

4.2 DEFROST CYCLES

Five seconds after the booting sequence is done, the LED (2) will light and stay lit to show in which defrost cycle the unit is set. Use the push button (1) to change the defrost cycle of the unit (see table below).

LED COLOR	DEFROST CYCLE
GREEN	STANDARD
RED	PLUS
AMBER	DISCRETION

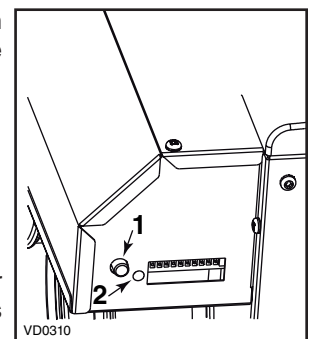
NOTE: There is a 15-minute delay for the new defrost cycle choice to be kept in memory; if a power failure occurs during this time delay, when the power returns, the unit resume to its previous setting.

According to your need, there are 3 defrost cycles available:

STANDARD: This is the factory set defrost cycle, which is the most commonly used to suit normal weather conditions. When needed, the unit will perform defrost cycle on high speed.

PLUS: This mode has been created for people who live in cold region (outside temperature -27°C [-17°F] and lower). This setting makes the unit perform defrost cycle on high speed for a longer period of time.

DISCRETION: When needed, the defrost cycle will be performed on the same speed than the unit ventilation speed. For example, if the unit is set on high speed, the defrost cycle will be done on high speed, but if the unit is set on low speed, the defrost cycle will be done on low speed.



4. CONTROLS (CONT'D)

4.3 MAIN WALL CONTROL INSTALLATION

These units should be controlled using a main wall control (included).

NOTE: If an optional auxiliary control is used, if activated, this auxiliary control will override the main control operation.

⚠ WARNING

Always disconnect the unit before making any connections. Failure in disconnecting power could result in electric shock or damage of the wall control or electronic module inside the unit.

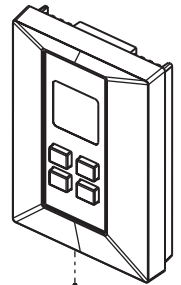
CAUTION

Failure to comply with the following can cause erratic operation of the unit and/or the wall control:

- **Never install more than one main wall control per ventilation unit;**
- **Keep control low voltage wiring at least 1 foot (305 mm) away from motors, lighting ballast, light dimming circuit and power distribution panel. Do not route control wiring alongside house power wiring;**
- **Ensure the wires are securely connected.**

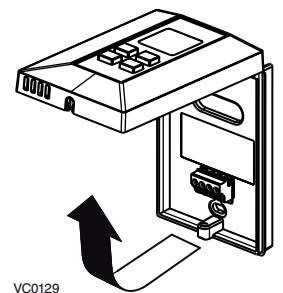
- 1 Route the control cable (included) from the unit to a convenient location for the wall control.

- 2 Loosen the locking screw (the screw should not be removed).



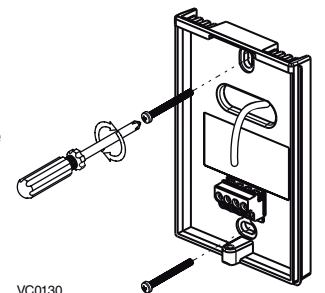
VC0128

- 3 Detach the faceplate from the mounting plate by pulling the bottom part. If necessary, bore the mounting holes and insert anchors.



VC0129

- 4 Run the cable (4 wires) through the opening of the mounting plate and mount the plate to the wall using 2 screws (included in the unit parts bag).

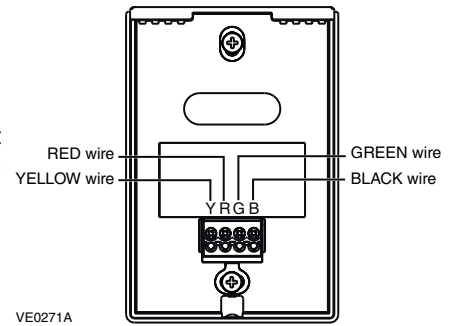


VC0130

4. CONTROLS (CONT'D)

4.3 MAIN WALL CONTROL INSTALLATION (CONT'D)

- 5 Splice back the end of the cable to access the 4 wires. Strip the end of each wire. Connect each wire to its corresponding terminal: YELLOW wire to "Y", RED wire to "R", GREEN wire to "G" and BLACK wire to "B". See illustration at right.



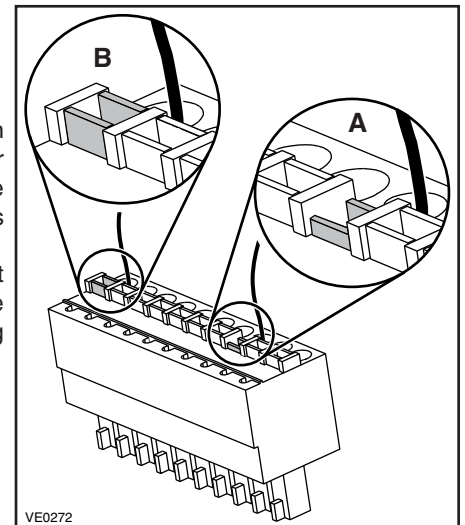
- 6 Reinstall the front module onto the back plate and tighten the locking screw.

4.4 WALL CONTROL(S) CONNECTION TO THE UNIT

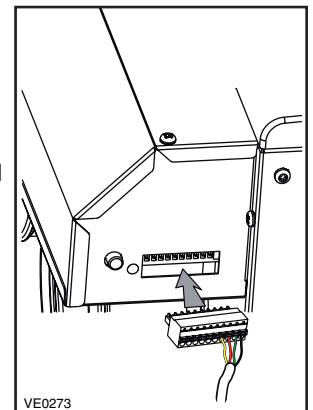
Use the terminal connector included in the installation kit to perform the electrical connection for main and optional wall controls. Check if all wires are correctly inserted in their corresponding holes in the terminal block. (A wire is correctly inserted when its orange receptacle is lower than another one without wire. On illustration at right, wire **A** is correctly inserted, but not wire **B**.)

Splice back the end of the cable to access the 4 wires. Strip the end of each wire. Connect each wire to its corresponding terminal: YELLOW wire to "Y", RED wire to "R", GREEN wire to "G" and BLACK wire to "B". Check if all wires are correctly inserted in their corresponding holes in the terminal block.

Connect the auxiliary control cable, if installed (not shown).



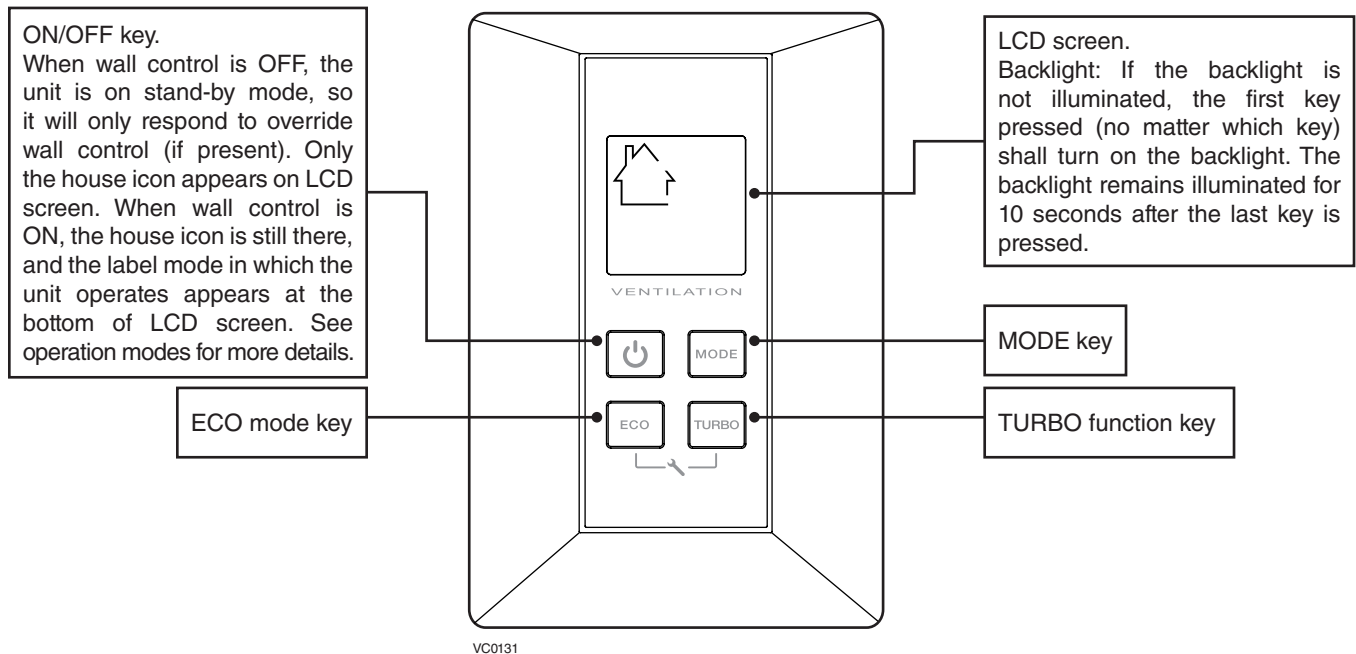
Once the control(s) connections have been made, insert the terminal connector in the electrical compartment interface. Plug the unit.



4. CONTROLS (CONT'D)

4.5 MAIN WALL CONTROL DESCRIPTION

The included wall control is 40405 (intended for EVO5 500 HRV and EVO5 700 HRV HEPA Venmar units only) or 40410 (intended for HRV 5.1 and HRV 7.1 HEPA Broan units only). The wall control is in OFF mode when power is applied for the first time. After a power failure, the wall control returns to its original operation mode.



4.6 MAIN WALL CONTROL USE

4.6.1 OPERATION MODES

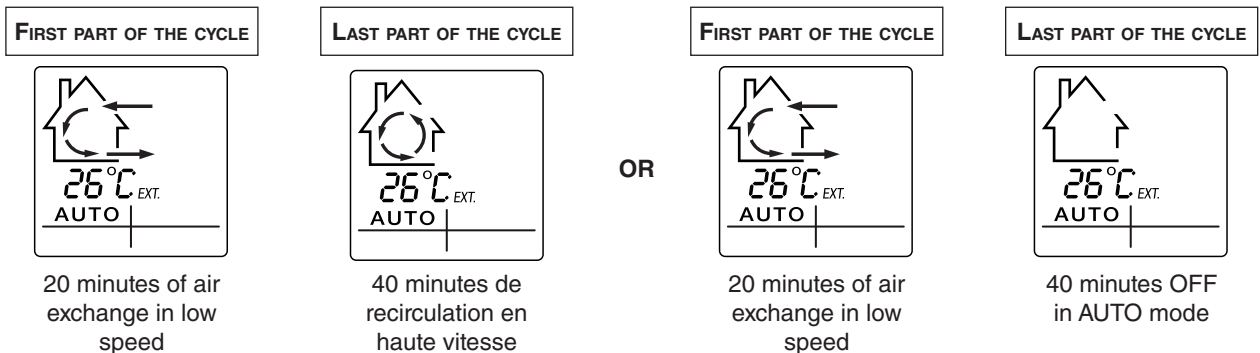


When the wall control is ON, press the MODE key to choose the operation mode of the ventilation unit. Operating Mode label will then appear on LCD screen (AUTO, ECO, CONT and RECIRC).

AUTO MODE

The ventilation unit exchanges air intermittently on a one-hour cycle as follows: exchanges air during 20 minutes on low speed and then recirculation on high speed for 40 minutes (or OFF for 40 minutes, see section 4.6.3). Repeat cycle after the 40-minute period.

NOTE: The outdoor temperature value displayed during AUTO recirculation or AUTO off cycle period comes from the reading while the unit is performing air exchange (first part of AUTO mode cycle). Also, keep in mind that outdoor temperature reading is taken from the unit fresh air from outside port; due to the length of the insulated duct, the result of the reading is slightly different from the real outside temperature.



4. CONTROLS (CONT'D)

4.6 MAIN WALL CONTROL USE (CONT'D)

4.6.1 OPERATION MODES (CONT'D)

ECO Mode

The ventilation unit exchanges air intermittently on a one-hour cycle as follows: a 10-minute cycle of air exchange, then 50 minutes on recirculation on low speed (or OFF for 50 minutes, then 10 minutes on low speed air exchange, see section 4.6.3).

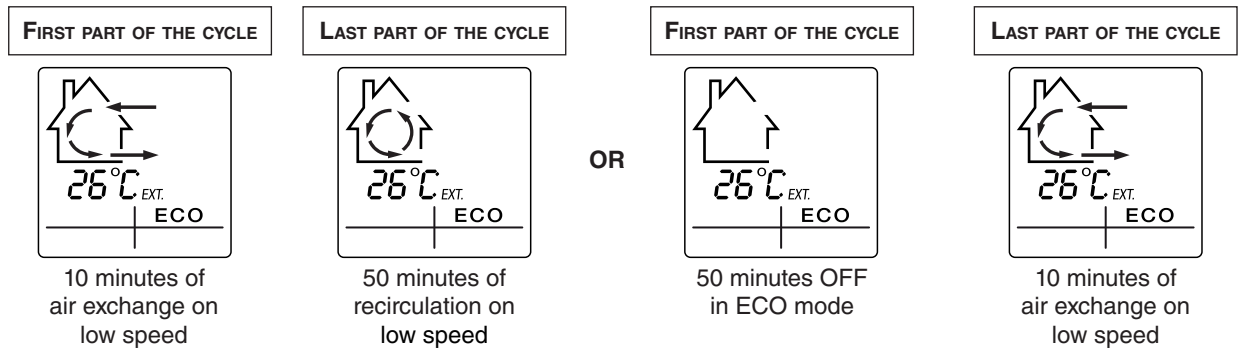
NOTE: The outdoor temperature value displayed during ECO recirculation or ECO off cycle comes from the reading while the unit is performing air exchange (first or last part of ECO mode cycle). Also, keep in mind that outdoor temperature reading is taken from the unit fresh air from outside port; due to the length of the insulated duct, the result of the reading is slightly different from the real outside temperature.

ECO Mode Key

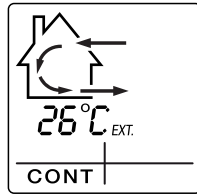


When the wall control is ON, press the ECO key to access directly to ECO mode, without scrolling all other modes on the screen. Press another time to exit the ECO mode and return to the previous operation mode.*

*Except if it was in TURBO mode, for this particular case, the unit will get back to the mode chosen before TURBO mode.

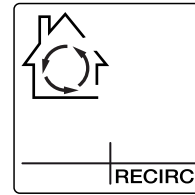


CONT Mode



Continuous air exchange on low speed

RECIRC Mode



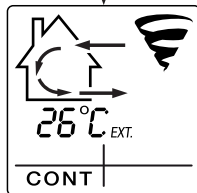
Continuous recirculation on high speed

NOTE: In this mode, there is no outside temperature displayed.

4.6.2 TURBO FUNCTION KEY



When the wall control is ON (no matter the operation mode), pressing on TURBO key will turn the unit on air exchange in high speed during 4 hours, then, the unit will get back to its previous operation mode*.

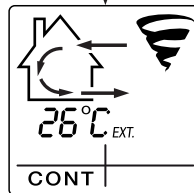


When activated, the tornado icon is flashing. To exit this function before the end of its 4-hour cycle, press another time on TURBO key; the unit will get back to its previous operation mode*.

*Except if it was in ECO mode, for this particular case, the unit will get back to the mode chosen before ECO mode.



more than 4 sec. When the wall control is ON (no matter the operation mode), pressing on TURBO key for more than 4 seconds will turn the unit on air exchange in high speed with no time limit.



When activated, the tornado icon appears on screen. To exit this function, press another time on TURBO key; the unit will get back to its previous operation mode*.

*Except if it was in ECO mode, for this particular case, the unit will get back to the mode chosen before ECO mode.

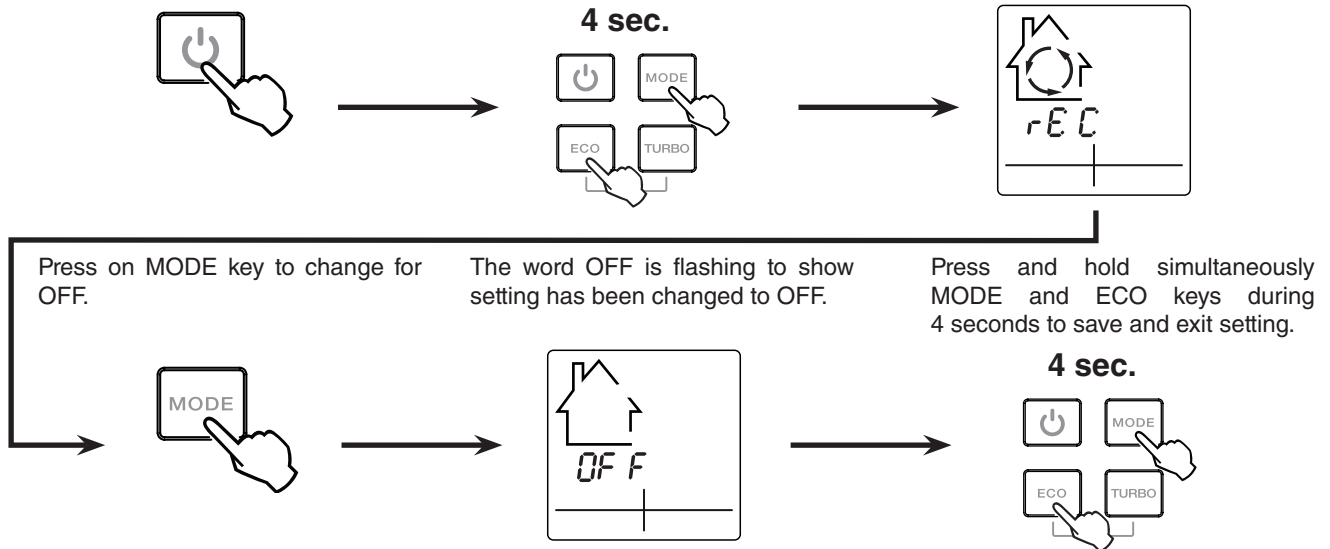
4. CONTROLS (CONT'D)

4.6 MAIN WALL CONTROL USE (CONT'D)

4.6.3 CHANGING RECIRCULATION TO OFF FOR AUTO AND ECO MODES

NOTE: Prior to perform this setting, the wall control must be ON. Press and hold simultaneously MODE and ECO keys during 4 seconds to access setting.

Letters rEC and circled arrows are flashing (default configuration setting).



NOTE: To get back to RECIRCULATION in AUTO and ECO modes (in second part of cycle), repeat the complete procedure.

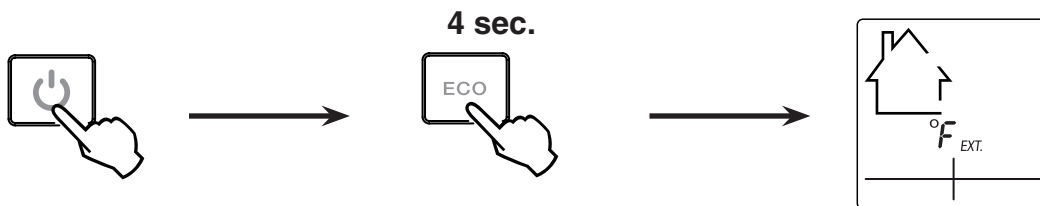
4.6.4 SETTING THE DISPLAYED TEMPERATURE UNIT

The temperature unit displayed is factory set in Celcius (°C), but if desired, it can be changed to Fahrenheit (°F).

Follow these steps:

NOTE: Prior to perform this setting, the wall control must be ON. Press and hold on ECO key during 4 seconds.

°F will flash on screen one moment to show it is now the current temperature unit, then will stay on screen.



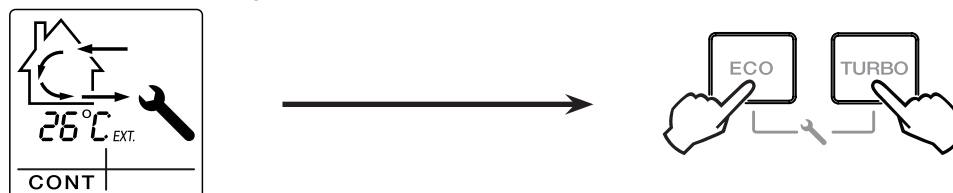
NOTE: To get back to °C for temperature display, repeat the complete procedure.

4.6.5 UNIT MAINTENANCE INDICATOR

When it is time to perform maintenance on the unit, a wrench icon appears on screen, no matter the mode the unit is in. Go to section 5. Maintenance.

NOTE: This icon disappears when turning OFF the wall control, but reappears when turning it back ON.

Once the maintenance has been done, reset the wall control by pressing simultaneously on ECO and TURBO keys. The wrench icon will disappear from screen.

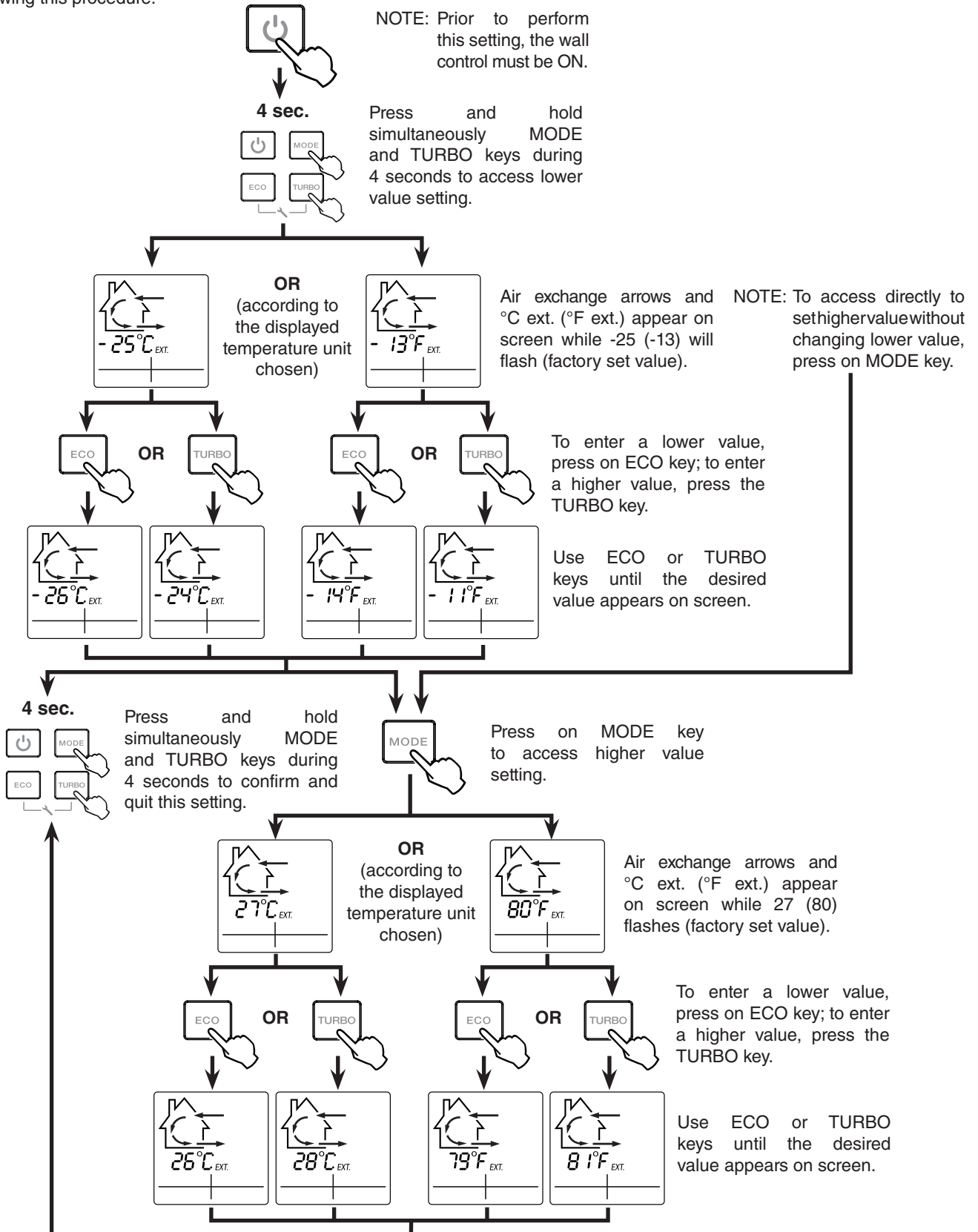


4. CONTROLS (CONT'D)

4.6 MAIN WALL CONTROL USE (CONT'D)

4.6.6 HOW TO CHANGE MINIMUM AND MAXIMUM AIR EXCHANGE TEMPERATURE LIMITS FOR ECO AND AUTO MODES

The minimum and maximum temperature limits for air exchange allow to stop air exchange with the outside for better comfort in the house. Factory set values are: minimum -25°C (-13°F), maximum 27°C (80°F). If desired, these values can be changed by following this procedure:



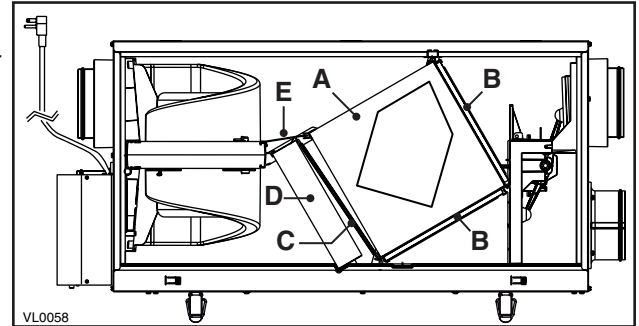
5. MAINTENANCE

⚠ WARNING

Risk of electric shock. Before performing any maintenance, always turn off and disconnect the unit from its power source.

Refer to the illustration at right to identify the inner removable parts of your unit:


- A. Heat recovery core
- B. Heat recovery core filters (2)
- C. Prefilter (EVO5 700 HRV HEPA and HRV 7.1 HEPA units only)
- D. HEPA filter (EVO5 700 HRV HEPA and HRV 7.1 HEPA units only)
- E. Core bracket (EVO5 700 HRV HEPA and HRV 7.1 HEPA units only)




5.1 MAINTENANCE CYCLES

These units need regular and annual maintenances. When the wrench icon appears on wall control screen, perform the required maintenance, according to the unit model.

MAINTENANCE TABLE FOR
EVO5 500 HRV AND HRV 5.1 UNITS

 APPEARANCE	MAINTENANCE TYPE
FIRST TIME	REGULAR
SECOND TIME	REGULAR
THIRD TIME	REGULAR
FOURTH TIME	ANNUAL

MAINTENANCE TABLE FOR
EVO5 700 HRV HEPA AND HRV 7.1 UNITS

 APPEARANCE	MAINTENANCE TYPE
FIRST TIME	REGULAR
SECOND TIME	REGULAR + PREFILTER REPLACEMENT
THIRD TIME	REGULAR
FOURTH TIME	ANNUAL + PREFILTER AND HEPA FILTER REPLACEMENT

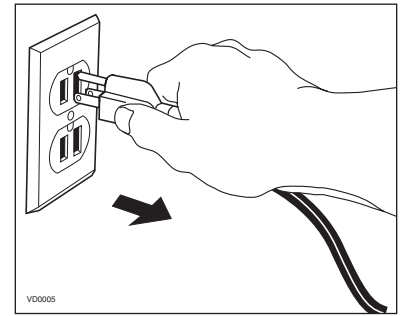
As shown on both tables above, the annual maintenance ends the maintenance cycle. After an annual maintenance, the next time the wrench icon will appear on wall control screen, a new maintenance cycle will start.

5. MAINTENANCE (CONT'D)

5.2 REGULAR MAINTENANCE

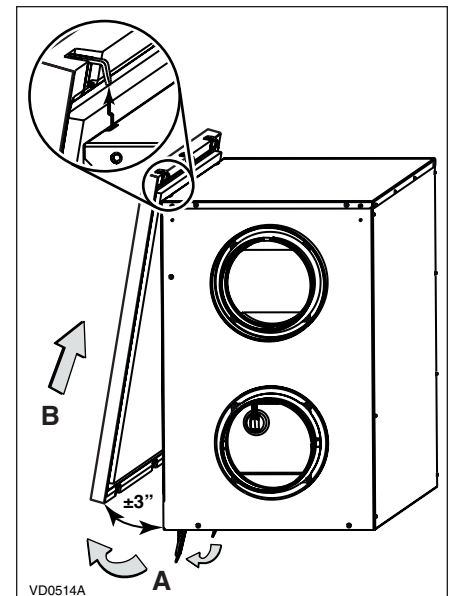
Perform this maintenance on the unit every time the wrench icon appears on wall control screen.

- 1 Turn the unit OFF and unplug it.



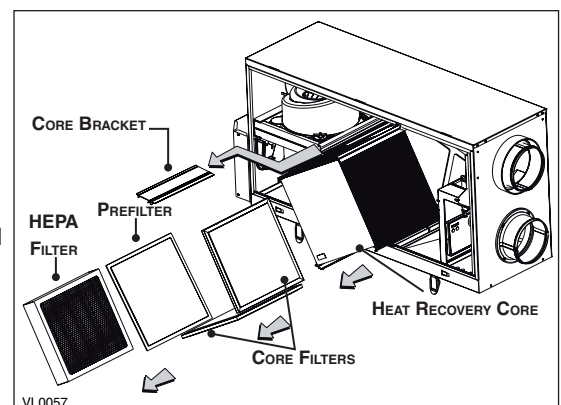
- 2 Unlatch and tilt the door (A) from the unit base, then lift it up (B) and set aside.

CAUTION
In order to prevent damages to the door hooks, do not open completely the unit door; tilt it about 3" from the unit base and lift it up. See illustration at right.



- 3 Slide out the heat recovery core, the core bracket and all the filters.

NOTE: Core bracket, HEPA filter and prefilter only in HRV 7.1 HEPA and EVO5 700 HRV HEPA units.



- 4 Clean the inside wall of the unit with a damp cloth, then wipe with a dry one.
- 5 Remove dust on core using a vacuum cleaner with a soft brush attachment. Wash both core filters under hot water with mild soap. Rinse thoroughly and let dry completely.

5. MAINTENANCE (CONT'D)

5.2 REGULAR MAINTENANCE (CONT'D)

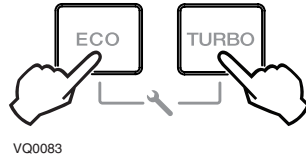
- ⑥ Reinstall the heat recovery core with its filters.

For EVO5 700 HRV HEPA and HRV 7.1 HEPA units only: The heat recovery core must be reinstalled BEFORE the core bracket. Reinstall the HEPA filter but before reinstalling the prefilter, look at the installation date on HEPA filter frame. If there are more than 6 months passed, discard the prefilter and install a new one, but keep the HEPA filter.

- ⑦ Reinstall the door, plug back the unit and turn it on.

NOTE: The unit will return to its previous setting after a 20-second delay for boot sequence.

- ⑧ Reset the wall control.



5.3 ANNUAL MAINTENANCE

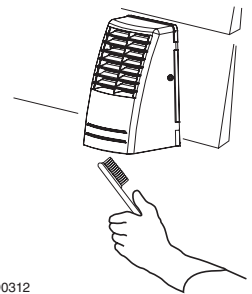
Perform this maintenance on the unit when the wrench icon appears on wall control screen for the fourth time (refer to tables in 5.1 Maintenance Cycles on previous page).

Perform steps ① to ⑤ of the regular maintenance then continue with the followings:

- ⑥ Allow the heat recovery core to soak for 3 hours in a solution of warm water and mild soap (dishwashing liquid). Rinse carefully, drain off water and reinstall with its filters.

For EVO5 700 HRV HEPA and HRV 7.1 HEPA units only: The heat recovery core must be reinstalled BEFORE the core bracket. Discard HEPA filter and its prefilter and replace with new ones. DO NOT FORGET TO WRITE THE INSTALLATION DATE ON NEW HEPA FILTER FRAME.

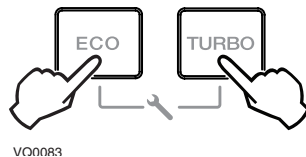
- ⑦ Check the exterior hood; make sure there are no leaves, twigs, ice or snow that could be drawn into the vent. Clean if necessary.



- ⑧ Reinstall the door, plug back the unit and turn it on.

NOTE: The unit will return to its previous setting after a 20-second delay for boot sequence.

- ⑨ Reset the wall control.



6. SERVICE PARTS

All parts listed in the following table are available where you have bought your unit.

NOTE: Please note that parts not listed are not available; those parts require assembly knowledge that only manufacturer can guarantee.

Description	Part Number	Qty. in EVO5 700 HRV HEPA and HRV 7.1 HEPA units	Qty. in EVO5 500 HRV and HRV 5.1 units
HEPA filter (1 per kit) and prefilter (2 per kit) kit	21293	1	-
Prefilter (2 per kit)	61561	1	-
Core filter	61563	2	2

7. TROUBLESHOOTING

If the unit does not work properly, reset the unit by unplugging it for one minute and then replug it. If it is still not working properly, refer to table below.

	Problems	You should try this
1	The error code E1 or E3 appears on wall control screen.	<ul style="list-style-type: none"> Reset the unit by unplugging it for 30 seconds. If the problem is not solved, contact our customer service.
2	Unit does not work.	<ul style="list-style-type: none"> See if the unit is plugged in. Check if the upper left port is free from packaging material. See if the unit is receiving power from the house circuit breaker or fuse.
3	Condensation on windows (air too humid).	<ul style="list-style-type: none"> See Control section, specially 4.6.1 Operation modes on pages 16 and 17. Leave curtains half-open to allow air circulation. Store all firewood in a closed room with a dehumidifier or in a well ventilated room, or store the wood outside. Do not adjust the thermostat of your heating system below 18°C (64°F).
4	Inside air too dry (on cold season).	<ul style="list-style-type: none"> Temporarily use a humidifier. See Control section, specially 4.6.1 Operation modes on pages 16 and 17.
5	Air too cold at the air supply grille (on cold season).	<ul style="list-style-type: none"> Check if the exterior hood is not blocked, specifically the top grille. Set the unit in AUTO or ECO mode. See Control section, 4.6.1 Operation modes on pages 15 and 16. Change the defrost cycle of the unit to PLUS. See 4.2 Defrost Cycles on page 13.
6	The LED of the integrated defrost control is blinking GREEN.	<ul style="list-style-type: none"> Reset the unit by unplugging it for 30 seconds. If the problem is not solved, there is a problem with the thermistor. The unit is still working, but will defrost frequently. Contact our customer service.
7	The LED of the integrated defrost control is blinking AMBER.	<ul style="list-style-type: none"> Reset the unit by unplugging it for 30 seconds. If the problem is not solved, there is a problem with the damper system. The unit is OFF. For a 5-hour period, the unit will try to reset the damper system every 30 minutes. After 5 hours, if the problem is not solved, the unit stops trying to reset damper system. Contact our customer service.
8	The integrated defrost control push-button does not work.	<ul style="list-style-type: none"> The 30-second boot sequence is not completed, see step 4.1 Booting Sequence on page 13.

If the problem is still not solved, call your installer or the nearest approved Service Center. Also, you can reach the Customer Service Department Team at: 1-800-567-3855.

8. WARRANTY

WARRANTY - WHOLE-HOUSE AIR EXCHANGER

The manufacturer warrants to the original consumer purchaser of its products, that such products will be free from defects for the period stated below, from date of original purchase. The WHOLE-HOUSE AIR EXCHANGER is fully protected by a 1-year warranty on all parts and labor in workshop. Receive an additional year of warranty for a total of two (2) years on all parts and labor in workshop by registering your product online. For more details about online registration, please follow the instructions described in documentation provided with the air exchanger.

THERE ARE NO OTHER WARRANTIES, EXPRESS OR IMPLIED, INCLUDING, BUT NOT LIMITED TO, IMPLIED WARRANTIES OF MERCHANTABILITY OR FITNESS FOR A PARTICULAR PURPOSE. THE MANUFACTURER WILL NOT BE HELD RESPONSIBLE FOR ANY CLAIMS OVER THE ORIGINAL PURCHASE PRICE OF A WHOLE-HOUSE AIR EXCHANGER, NOR HELD RESPONSIBLE FOR SUBSEQUENT DAMAGE OR INCIDENT.

During the period stated above, the manufacturer will, at its option, repair or replace without charge any product or part which is found to be defective under normal use and service. THIS WARRANTY DOES NOT EXTEND TO ANY CORE FILTERS, PREFILTER (IF APPLICABLE) OR FILTERS (IF APPLICABLE).

Warranty service is to be completed by an authorized Service Center designated by the manufacturer. Where applicable, in home service will be made available only in areas where a contracted service provider offers service. If in home service is not available, the product will be repaired or replaced at the manufacturer discretion by the nearest authorized service provider. The unit removal and reinstallation works are under the customer responsibility, and the manufacturer cannot be charged for them.

This warranty does not cover a) normal maintenance and service, b) any products or parts which have been subject to misuse, negligence, accident, improper maintenance or repairs made by other than the manufacturer or c) a faulty installation or installation contrary to recommended installation instructions. The duration of any implied warranty is limited to the one-year period as specified for the express warranty, unless the product has been registered online; for this specific case, the warranty period is two (2) years. Some provinces do not allow limitation on how long an implied warranty lasts, so the above limitation may not apply to you.

THE MANUFACTURER'S OBLIGATION TO REPAIR OR REPLACE AT THE MANUFACTURER'S OPTION, SHALL BE THE PURCHASER'S SOLE AND EXCLUSIVE REMEDY UNDER THIS WARRANTY. THE MANUFACTURER SHALL NOT BE LIABLE FOR INCIDENTAL, CONSEQUENTIAL OR SPECIAL DAMAGES ARISING OUT OF OR IN CONNECTION WITH PRODUCT USE OR PERFORMANCE. SOME PROVINCES DO NOT ALLOW THE EXCLUSION OR LIMITATION OF INCIDENTAL OR CONSEQUENTIAL DAMAGES, SO THE ABOVE LIMITATION OR EXCLUSION MAY NOT APPLY TO YOU.

REPLACEMENT PARTS AND REPAIR

In order to ensure your ventilation unit remains in good working condition, you must use the manufacturer genuine replacement parts only. The manufacturer genuine replacement parts are specially designed for each unit and are manufactured to comply with all the applicable certification standards and maintain a high standard of safety. Any third party replacement part used may cause serious damage and drastically reduce the performance level of your unit, which will result in premature failing. The manufacturer also recommends to contact a service depot certified by the manufacturer for all replacement parts and repair.

CONDITIONS AND LIMITATIONS

These units are created for residential use only and must be used in a building as defined below:

- Building:** All structures zoned and/or erected for the act, process or art of human or animal habitation and/or the storage or warehousing of goods.
- Residential use:** Dwelling, lodging, suite: Building, or part of a building, intended to act as either the domicile to one or several people which can include general sanitary, food consumption and rest facilities. Buildings of only one room or a group of rooms including those occupied by a tenant or owner; comprise the lodgings, the individual rooms of the motels, hotels, rooming/lodging houses, boarding/half-way/foster homes, dormitories, and suites, as well as the stores and the business establishments constituted by only one room in a dwelling.
- Commercial use:** Agricultural establishment, commercial establishment for assembly, care, or detention: Building or part of a building that does not contain a dwelling, situated on land dedicated to agriculture or farming and used primarily to shelter animals, or for the production, the storage or the treatment of agricultural or horticultural products or animal food. Building or part of a building, used for the display or retail of goods, professional or personal services, or commodities. Building, or part of a building used by persons gathering for civic activities, religious or political assembly, tourism, educational/vocational training, recreation or the consumption of food or drink. Building, or part of a building used to shelter persons of impaired physical or psychological states, persons requiring palliative care or medical treatments, or persons for reasons out of their control, cannot escape harm or threat of danger autonomously.
- Industrial use:** Building, or part of a building, used for the assembly, the manufacture, the creation, the treatment, the repair or the storage of products and combustible materials and that contain fuels that when ignited or exploded in sufficient quantity may constitute a risk of fire.

This warranty gives you specific legal rights and you may also have other rights, which vary from province to province.

This warranty supersedes all prior warranties.

To reach warranty service please contact:

Venmar Ventilation ULC
1-800-567-3855

In order to qualify for a warranty claim, it is essential that the owner of a whole-house air exchanger must have access to the model and serial number along with a copy of the proof of the original purchase. In each case, travel costs are not covered by this warranty.

Venmar Ventilation ULC, 550 Lemire Blvd., Drummondville, Qc Canada J2C 7W9

GUIDE D'INSTALLATION ET D'UTILISATION

MODÈLES VENMAR



VB0313

EVO5 700 HRV HEPA



VB0312

EVO5 500 HRV

MODÈLES BROAN



VB0311

HRV 7.1 HEPA



VB0310

HRV 5.1

⚠ UTILISATION RÉSIDENNELLE INTÉRIEURE SEULEMENT ⚠

VEUILLEZ LIRE ET CONSERVER CES DIRECTIVES



7 72371 12623 7

À PROPOS DE CE GUIDE

Tout d'abord, nous aimerions vous féliciter pour l'achat de cet excellent appareil qui, nous en sommes convaincus, permettra à votre famille, ainsi qu'à vous même, de profiter d'un air propre et sain où que vous soyez dans votre maison, pour les années à venir!

En raison du nombre élevé de modèles couverts par cette publication, les illustrations qui s'y trouvent sont générales. Certains détails de votre appareil peuvent différer légèrement de ceux illustrés.

Veillez noter que ce guide utilise les symboles suivants afin d'accentuer les informations particulières :

⚠ AVERTISSEMENT

Identifie une directive qui, si elle n'est pas suivie, peut causer de graves blessures ou entraîner la mort.

ATTENTION

Identifie une directive qui, si elle n'est pas suivie, peut gravement endommager l'appareil et/ou ses pièces.

NOTE : Indique une information supplémentaire afin de réaliser une directive.

À PROPOS DE CES APPAREILS

LIMITATION

Pour installation résidentielle (domestique) seulement. Les travaux d'installation et de raccordement électrique doivent être effectués par du personnel qualifié, conformément aux codes et aux standards de construction, incluant ceux concernant la protection contre les incendies.

⚠ AVERTISSEMENT

AFIN DE DIMINUER LES RISQUES D'INCENDIE, D'ÉLECTROCUTION OU DE BLESSURES CORPORELLES, SUIVEZ LES DIRECTIVES SUIVANTES :

1. N'utiliser cet appareil que de la façon prévue par le fabricant. En cas de doutes, contacter le fabricant à l'adresse ou au numéro de téléphone inscrit dans le texte de garantie.
2. Nous vous recommandons de faire inspecter l'appareil annuellement par un technicien spécialisé.
3. Débrancher le cordon d'alimentation de l'appareil avant d'effectuer l'entretien ou la réparation.
4. Cet appareil n'est pas conçu pour fournir l'air nécessaire à la combustion et/ou à la dilution des appareils à combustion.
5. Veillez à ne pas endommager le câblage électrique ou d'autres équipements non apparents lors de la découpe ou du perçage du mur ou du plafond.
6. Ne pas utiliser cet appareil avec une commande de vitesse à semi-conducteur autre qu'une des commandes suivantes :

APPAREIL	COMMANDE PRINCIPALE	COMMANDE AUXILIAIRE
EVO5 700 HRV HEPA ET EVO5 500 HRV	40405	40422
HRV 7.1 HEPA ET HRV 5.1	40410	40424

7. Cet appareil doit être mis à la terre. Pour votre propre protection, le cordon d'alimentation est muni d'une fiche à 3 broches. Cette fiche doit être branchée à une prise à trois alvéoles avec une mise à la terre, conformément au code national d'électricité ainsi qu'aux codes et règlements locaux. Ne pas enlever la broche pour la mise à la terre. Ne pas utiliser de rallonge électrique.
8. Ne pas installer dans une aire de cuisson ou brancher directement à aucun appareil ménager.
9. Ne pas utiliser pour évacuer des vapeurs ou des matières dangereuses ou explosives.
10. Il est recommandé de porter des lunettes et des gants de sécurité lors de l'installation, de l'entretien ou de la réparation de ces appareils.
11. Deux installateurs sont recommandés pour l'installation de cet appareil, en raison du poids de celui-ci.
12. Lorsqu'une réglementation est en vigueur localement et qu'elle comporte des exigences d'installation et/ou de certification plus restrictives, lesdites exigences prévalent sur celles de ce document et l'installateur entend s'y conformer à ses frais.

ATTENTION

1. Afin d'éviter l'encrassement prématuré des filtres, faire cesser le fonctionnement de l'appareil lors de travaux de construction ou de rénovation.
2. Pour plus de renseignements au sujet de votre appareil, veuillez lire les autocollants apposés sur votre appareil.
3. S'assurer que les bouches correspondantes donnent sur l'extérieur. Ne pas aspirer/évacuer l'air dans des espaces restreints comme l'intérieur des murs ou plafond ou dans le grenier, un faux plafond ou un garage.
4. Destiné pour usage résidentiel seulement, selon les prescriptions du NFPA 90B (pour un appareil installé aux États-Unis) ou selon la Partie 9 du Code National du Bâtiment du Canada (pour un appareil installé au Canada).
5. Ne pas installer des conduits directement ou à moins de 2 pi (0,61 m) d'aucune fournaise, de son conduit de distribution, de chaudière ou d'aucun appareil de chauffage. Si un conduit doit être raccordé au plenum de retour d'air de la fournaise, il doit être installé à au moins 9 pi 10 po (3 m) du raccordement de ce plenum à la fournaise.
6. Le réseau de conduit doit être installé selon tous les codes en vigueur.
7. En cas d'absence prolongée (plus de deux semaines), laissez une personne responsable vérifier régulièrement que l'appareil fonctionne adéquatement.
8. Si les conduits doivent passer par un endroit où la température n'est pas contrôlée (ex. : grenier), ceux-ci doivent être isolés et l'appareil doit fonctionner sans arrêt sauf lors de son entretien ou de sa réparation. Aussi, la température ambiante de la maison ne doit jamais se situer sous 18 °C (65 °F).

TABLE DES MATIÈRES

1. INSTALLATIONS TYPES	4
1.1 INSTALLATION INDÉPENDANTE	4
1.2 ÉVACUATION À LA SOURCE	4
1.3 INSTALLATION SIMPLIFIÉE	4
2. DIMENSIONS	5
2.1 APPAREILS EVO5 700 HRV HEPA ET HRV 7.1 HEPA	5
2.2 APPAREILS EVO5 500 HRV ET HRV 5.1	5
2.3 DISTANCE REQUISE ENTRE LES SOLIVES POUR LA TRANSITION TANDEM®	5
3. INSTALLATION	6-13
3.1 VÉRIFIER LE CONTENU DE LA BOÎTE	6
3.2 TROUSSES D'INSTALLATION, OUTILS ET MATÉRIAUX	7
3.3 EMBLEMMENT DE L'APPAREIL	7
3.4 PLANIFICATION DU RÉSEAU DE CONDUITS	7
3.5 INSTALLATION DES CONDUITS NON ISOLÉS ET DES DIFFUSEURS	8-9
3.5.1 INSTALLATION INDÉPENDANTE	8-9
3.5.2 ÉVACUATION À LA SOURCE	9
3.5.3 INSTALLATION SIMPLIFIÉE	9
3.6 INSTALLATION DES CONDUITS FLEXIBLES ISOLÉS	10-11
3.6.1 RACCORDEMENT À LA TRANSITION TANDEM	10
3.6.2 RACCORDEMENT AUX BOUCHES DE L'APPAREIL	11
3.7 INSTALLATION DE LA BOUCHE EXTÉRIEURE DOUBLE	11-12
3.7.1 ASSEMBLAGE DE LA BOUCHE EXTÉRIEURE DOUBLE	11
3.7.2 EMBLEMMENT DE LA BOUCHE EXTÉRIEURE DOUBLE	11
3.7.3 RACCORDEMENT DE LA TRANSITION TANDEM À LA BOUCHE EXTÉRIEURE DOUBLE	12
3.8 RACCORDEMENT DU BOYAU DE DRAINAGE	13
4. COMMANDES	13-19
4.1 SÉQUENCE DE DÉMARRAGE	13
4.2 CYCLES DE DÉGIVRAGE	13
4.3 INSTALLATION DE LA COMMANDE MURALE PRINCIPALE	14-15
4.4 BRANCHEMENT DE LA (DES) COMMANDE(S) À L'APPAREIL	15
4.5 DESCRIPTION DE LA COMMANDE MURALE PRINCIPALE	16
4.6 UTILISATION DE LA COMMANDE MURALE PRINCIPALE	16-19
4.6.1 MODES DE FONCTIONNEMENT	16-17
4.6.2 BOUTON-POUSOIR DE LA FONCTION TURBO	17
4.6.3 PASSER DE RECIRCULATION À ARRÊT POUR LES MODES AUTO ET ECO	18
4.6.4 RÉGLAGE DE L'UNITÉ DE TEMPÉRATURE AFFICHÉE	18
4.6.5 INDICATEUR D'ENTRETIEN	18
4.6.6 COMMENT CHANGER LES LIMITES MAXIMALES DE TEMPÉRATURE D'ÉCHANGE D'AIR POUR LES MODES ECO ET AUTO	19
5. ENTRETIEN	20-22
5.1 CYCLES D'ENTRETIEN	20
5.2 ENTRETIEN RÉGULIER	21-22
5.3 ENTRETIEN ANNUEL	22
6. PIÈCES DE REMPLACEMENT	22
7. DÉPANNAGE	23
8. GARANTIE	24

1. INSTALLATIONS TYPES

Les illustrations suivantes ont été conçues pour vous servir de guide afin de vous aider à choisir comment installer votre appareil. Tous les appareils doivent être suspendus aux solives.

Dans tous les cas, un ventilateur de salle de bains ainsi qu'une hotte de cuisinière peuvent être utilisés pour évacuer l'air vicié. Toutefois, veuillez noter qu'une trousse d'installation optionnelle pour salle de bains (n° IKBV1000 pour les appareils Venmar et n° IKB1000 pour les appareils Broan) est offerte pour les maisons n'ayant pas de ventilateur de salle de bains. Aussi, pour les maisons ayant plus d'un étage, nous recommandons d'installer une grille d'évacuation au niveau le plus élevé.

Il existe 3 méthodes d'installation : installation indépendante, évacuation à la source et simplifiée.

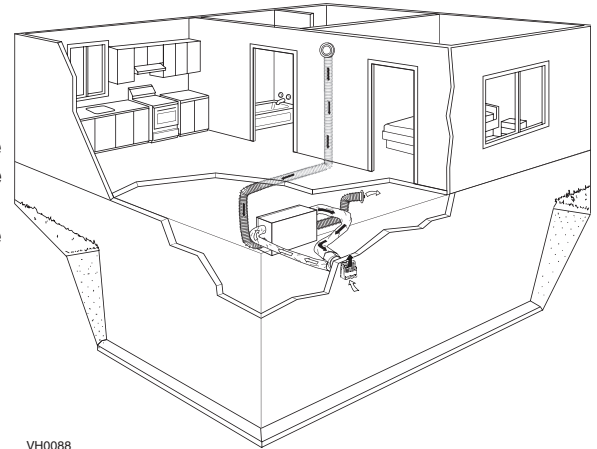
NOTE : Une prise de courant doit être accessible à 3 pi ou moins de l'appareil.

1.1 INSTALLATION INDÉPENDANTE (SURTOUT POUR LES MAISONS À SYSTÈME DE CHAUFFAGE RAYONNANT À EAU CHAUDE OU PLINTHES ÉLECTRIQUES)

L'air vicié provenant des grilles situées au niveau le plus élevé est évacué à l'extérieur. L'air frais de l'extérieur est filtré puis distribué par la grille située au niveau habitable le plus bas de la maison.

Les maisons ayant plus d'un étage doivent avoir au moins une grille d'évacuation au niveau le plus élevé.

Voir l'illustration ci-contre.



VH0088

1.2 ÉVACUATION À LA SOURCE (RACCORDEMENT À UN SYSTÈME À AIR PULSÉ)

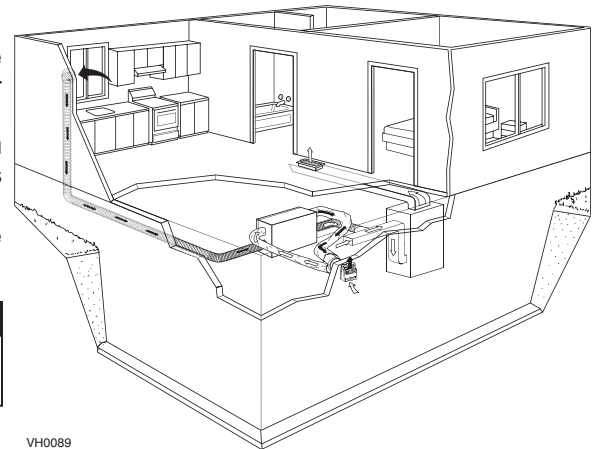
L'air vicié provenant des grilles situées au niveau le plus élevé est évacué à l'extérieur. L'air frais de l'extérieur est filtré puis distribué dans le retour d'air (plenum) de l'appareil à air pulsé. Voir l'illustration ci-contre.

Pour ce type d'installation, il n'est pas essentiel que le ventilateur du système à air pulsé soit en marche lorsque l'appareil est activé, mais nous le recommandons.

NOTE : Les habitations pourvues de plusieurs systèmes à air pulsé devraient avoir un appareil par système.

ATTENTION

Ne raccorder l'appareil à aucun conduit de distribution de système à air pulsé.



VH0089

1.3 INSTALLATION SIMPLIFIÉE (RACCORDEMENT À UN SYSTÈME À AIR PULSÉ)

L'air vicié est évacué à l'extérieur. L'air frais de l'extérieur est filtré puis distribué dans le retour d'air (plenum) de l'appareil à air pulsé.

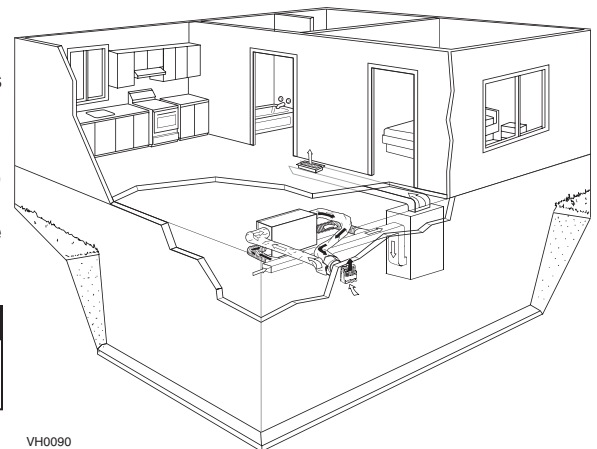
Voir l'illustration ci-contre.

Pour éviter l'inter-contamination et atteindre les meilleures performances, le ventilateur du système à air pulsé doit toujours être en marche.

NOTE : Les habitations pourvues de plusieurs systèmes à air pulsé devraient avoir un appareil par système.

ATTENTION

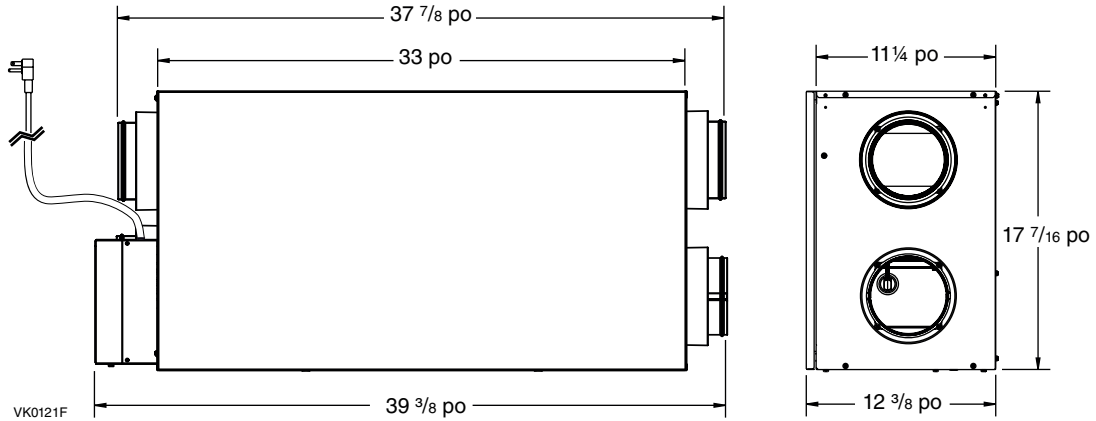
Ne raccorder l'appareil à aucun conduit de distribution de système à air pulsé.



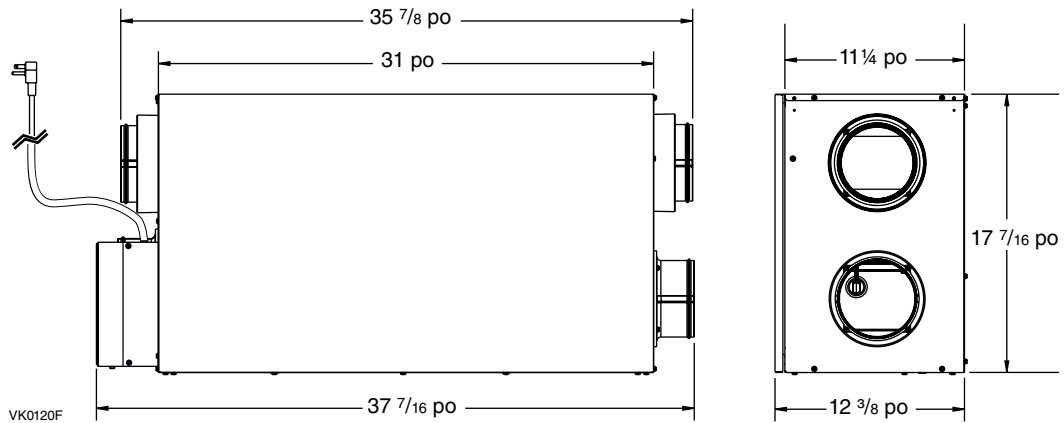
VH0090

2. DIMENSIONS

2.1 APPAREILS EVO5 700 HRV HEPA ET HRV 7.1 HEPA



2.2 APPAREILS EVO5 500 HRV ET HRV 5.1

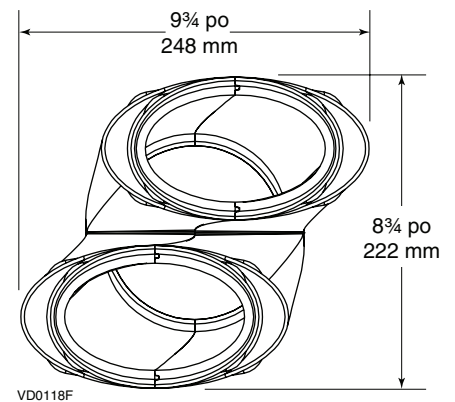


2.3 DISTANCE REQUISE ENTRE LES SOLIVES POUR LA TRANSITION TANDEM®

La distance requise entre les solives pour la transition Tandem* (incluse dans les trousse d'installation ISKV1000 et ISKB1000) est d'au moins 9 3/4 po (248 mm). La hauteur maximale de cette transition est de 8 3/4 po (222 mm).

Voir l'illustration ci-contre.

* Brevetée



3. INSTALLATION

3.1 VÉRIFIER LE CONTENU DE LA BOÎTE

NOTE : Avant d'effectuer l'installation, vérifier le contenu de la boîte. Si des pièces sont manquantes ou endommagées, contacter le fabricant. Dégager l'appareil de tout matériau d'emballage.

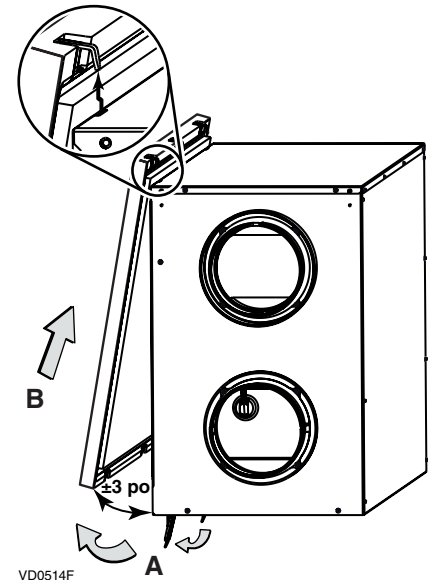
- Vérifier si l'extérieur de l'appareil n'a subi aucun dommage. S'assurer que la porte, les loquets, les bouches, le cordon d'alimentation, etc. soient en bon état.

- Désenclencher les loquets, ouvrir (A) et retirer (B) la porte de l'appareil.

ATTENTION

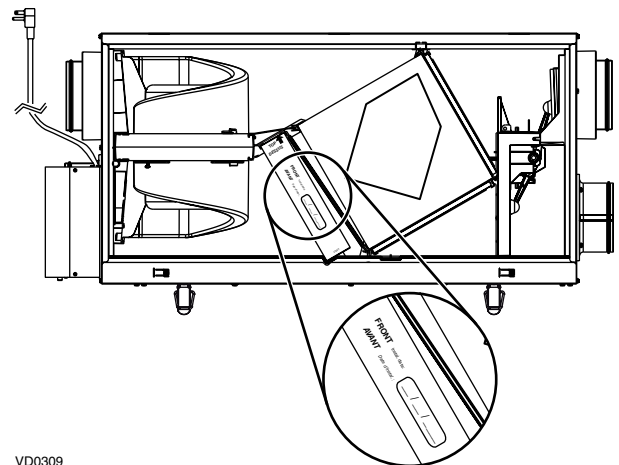
Afin de ne pas endommager les crochets de la porte, ne pas l'ouvrir complètement; l'ouvrir d'environ 3 po de la base et la soulever. Voir l'illustration ci-contre.

- Retirer le ruban adhésif recouvrant le noyau de récupération de l'appareil.



- Vérifier si l'intérieur de l'appareil n'a subi aucun dommage. S'assurer que le bloc ventilateur, le noyau de récupération de chaleur, les filtres du noyau, l'isolant, les volets, le préfiltre et le filtre HEPA (appareils EVO5 700 HRV HEPA et HRV 7.1 HEPA seulement), etc. soient en bon état, puis réinstaller la porte.

NOTE: Seulement pour les appareils EVO5 700 HRV HEPA et HRV 7.1 HEPA, inscrire la date d'installation sur le cadre du filtre HEPA pour référence future (voir l'illustration ci-contre).



3. INSTALLATION

3.2 TROUSSES D'INSTALLATION, OUTILS ET MATÉRIAUX

La trousse d'installation nécessaire à la réalisation de la plupart des installations est la IKS1000 pour les appareils Venmar et la IKS1000 pour les appareils Broan.

Voici la liste des outils et matériaux nécessaires à l'installation :

- Un ruban à mesurer;
- Tournevis Phillips n° 2 ou Robertson n° 2;
- Un petit tournevis à lame plate (pour le raccordement de la commande murale);
- Une pince à dénuder (pour le raccordement de la commande murale);
- Un marteau et un tournevis à lame plate (seulement pour une installation avec raccordement au plenum, pour faire les trous dans le conduit de métal existant);
- Des ciseaux ou un couteau à lame rétractable (pour couper le ruban à conduit);
- Ruban à conduit;
- Des ciseaux à tôle (seulement pour une installation avec raccordement au plenum, pour couper le conduit de métal);
- Du ruban à conduit en aluminium (seulement pour une installation avec raccordement au plenum);
- Une scie va-et-vient;
- Un pistolet à calfeutrer et du calfeutre.

3.3 EMBLACEMENT DE L'APPAREIL

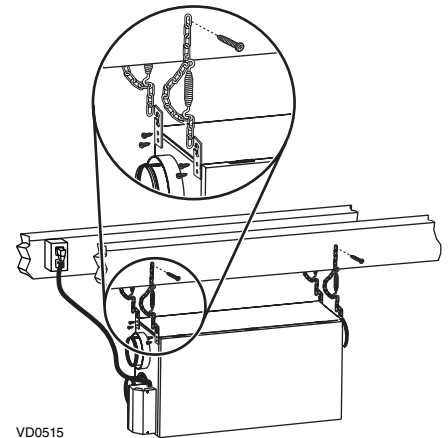
Choisir un emplacement adéquat pour l'appareil.

- Dans un endroit de la maison où la température ambiante se situe entre **10 °C (50 °F) et 40 °C (104 °F)**;
- Autant que possible éloigné des endroits les plus fréquentés (salle à dîner, salon, chambres);
- De façon à pouvoir accéder facilement à l'intérieur de l'appareil, pour en effectuer l'entretien régulier et annuel;
- Près d'un mur extérieur, de façon à limiter la longueur des conduits flexibles isolés;
- Éloigné des cheminées chaudes et autres risques d'incendie;
- Prévoir une source d'alimentation électrique (prise standard à 3 alvéoles dont une de mise à la terre);
- Près d'un drain. S'il n'y en a pas, se servir d'un seau pour récupérer l'écoulement.

Suspendre l'appareil à l'aide des 4 chaînes et ressorts inclus. Voir ci-contre.

ATTENTION

S'assurer que l'appareil soit de niveau.



3.4 PLANIFICATION DU RÉSEAU DE CONDUITS

- Prévoir un réseau le plus simple possible, avec un minimum de coudes et de raccords.
- La longueur des conduits isolés doit être réduite à son minimum.
- Ne pas ventiler les vides sanitaires ni les chambres froides. Ne pas tenter de récupérer l'air évacué provenant d'une sècheuse ou d'une hotte de cuisinière; cela causerait l'encrassement du noyau de récupération et des filtres.
- Si la maison a plus d'un étage, prévoir au moins une grille d'aspiration au niveau le plus élevé.

3. INSTALLATION (SUITE)

3.5 INSTALLATION DES CONDUITS NON ISOLÉS ET DES DIFFUSEURS

3.5.1 INSTALLATION INDÉPENDANTE (TELLE QU'ELLE EST ILLUSTRÉE À LA SECTION 1.1)

⚠ AVERTISSEMENT

Ne jamais installer un diffuseur pour l'aspiration d'air vicié dans une pièce fermée où fonctionne un appareil à combustion tel qu'une fournaise, un chauffe-eau à gaz ou un foyer.

Aspiration d'air vicié

- Installer le diffuseur pour l'aspiration d'air vicié dans la principale pièce qui génère des polluants : cuisine, salon, etc. Celui-ci doit être aussi éloigné que possible des escaliers et installé de façon telle que l'air puisse circuler partout dans la maison. Si désiré, un autre diffuseur peut être installé (vendu séparément).
- Si un diffuseur est installé dans la cuisine, il doit être situé à au moins 4 pi (1,2 m) de la cuisinière.
- Installer le diffuseur sur un mur intérieur, à une distance de 6 po à 12 po (152 mm à 305 mm) du plafond OU l'installer au plafond.

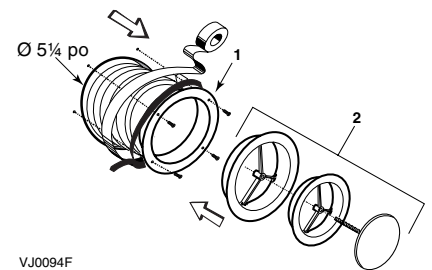
Distribution d'air frais

- Installer le diffuseur de distribution d'air frais au niveau le plus bas, dans une grande pièce ouverte afin d'assurer la meilleure circulation de l'air possible.
- Se rappeler que le diffuseur de distribution d'air frais doit être éloigné le plus possible du diffuseur pour l'aspiration d'air vicié. Si désiré, un autre diffuseur peut être installé (vendu séparément).
- Installer le diffuseur au plafond OU sur un mur intérieur, à une distance de 6 po à 12 po (152 mm à 305 mm) du plafond. (L'air frais circulera à travers la pièce et se mélangera à l'air ambiant, assurant ainsi un renouvellement continu de l'air.)
- Si une grille doit être installée au plancher, diriger son jet d'air vers le mur.

COMMENT RACCORDER LES CONDUITS FLEXIBLES AUX DIFFUSEURS

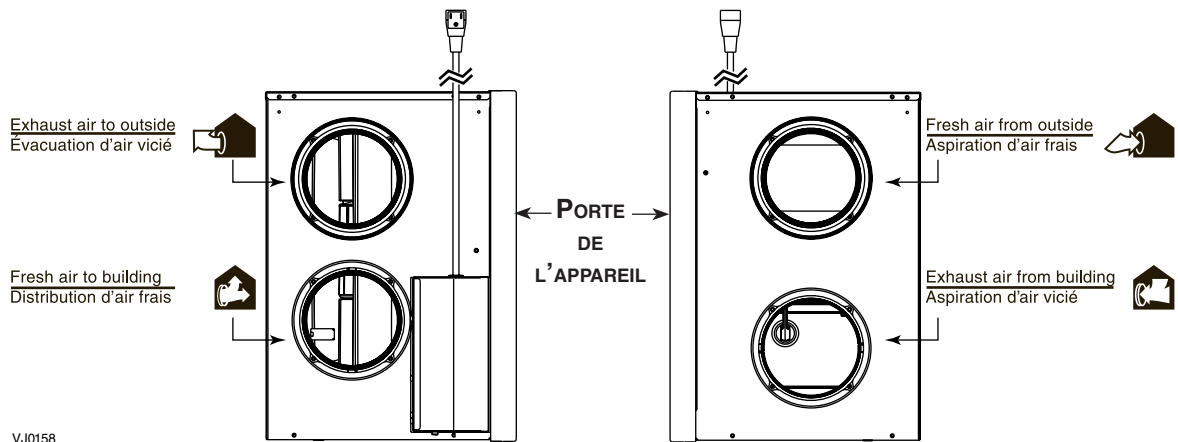
Une fois l'emplacement du diffuseur déterminé, découper un trou de 5¼ po de diamètre. Passer une extrémité du conduit flexible par le trou et l'assembler à la base du diffuseur (1), à l'aide d'une attache autobloquante et de ruban à conduit. Fixer la base du diffuseur au mur (ou au plafond) à l'aide des 4 vis n° 8 x 3/4 po. Glisser le diffuseur (2) dans sa base.

Voir l'illustration ci-contre.



IDENTIFICATION DES BOUCHES DE L'APPAREIL

Chacune des bouches de l'appareil est identifiée par une étiquette apposée près de celles-ci pour éviter les raccords fautifs. Avant d'effectuer le raccordement des conduits et des bouches, toujours se référer à ces étiquettes d'identification.



3. INSTALLATION (SUITE)

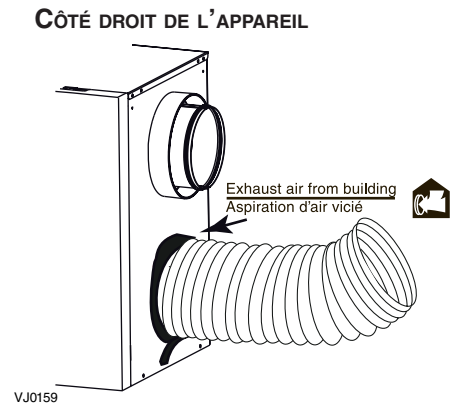
3.5 INSTALLATION DES CONDUITS NON ISOLÉS ET DES DIFFUSEURS (SUITE)

3.5.1 INSTALLATION INDÉPENDANTE (TELLE QU'ELLE EST ILLUSTRÉE À LA SECTION 1.1) (SUITE)

COMMENT RACCORDER LE CONDUIT FLEXIBLE AUX BOUCHES DE L'APPAREIL

Les deux conduits flexibles reliés aux diffuseurs doivent être raccordés aux bouches inférieures de l'appareil. En faisant face à la porte de l'appareil, la bouche de distribution d'air frais se trouve à gauche et la bouche d'aspiration d'air vicié se trouve à droite. Se référer aux étiquettes d'identification apposées près de chacune des bouches de l'appareil. À l'aide d'une attache autobloquante, relier le conduit de distribution d'air frais à sa bouche correspondante, puis faire de même pour le conduit d'aspiration d'air vicié et sa bouche. Voir l'illustration ci-contre.

NOTE : Utiliser un conduit isolé (non inclus) si le conduit doit traverser une pièce où il est possible d'éprouver des conditions d'extrême température (ex. : un grenier non chauffé dans une région nordique, ou un grenier non climatisé dans une région chaude). Aussi, si vous prévoyez arrêter l'appareil pour plus de 12 heures, nous recommandons de couvrir le conduit avec de l'isolant de calibre R12.



3.5.2 ÉVACUATION À LA SOURCE (TELLE QU'ELLE EST ILLUSTRÉE À LA SECTION 1.2)

Aspiration d'air vicié

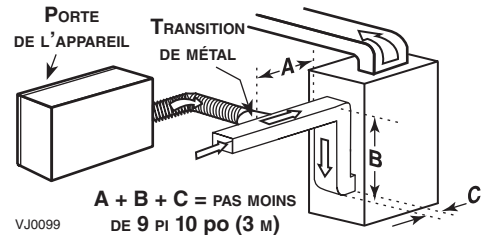
Même procédure que pour l'installation indépendante, décrite au point 3.5.1.

Distribution d'air frais

⚠ AVERTISSEMENT

Lors de raccordement au conduit, toujours utiliser des outils et matériaux approuvés. Respecter toutes les lois et les règlements en vigueur. Veuillez vous référer à votre code du bâtiment.

- Situer l'ouverture du conduit d'air frais dans le conduit de retour d'air de la fournaise à une distance d'au moins 9 pi 10 po (3 m) de la fournaise (**A+B+C**). À l'aide d'un ciseau à tôle, découper un trou de 5 po Ø.
- Utiliser une transition de métal (non incluse, offerte dans les quincailleries) pour relier le conduit de l'appareil au conduit de retour d'air de la fournaise.
- Relier l'autre extrémité du conduit flexible à la bouche de distribution d'air frais (voir l'icône à gauche de l'appareil). Utiliser une attache autobloquante et du ruban à conduit pour sceller le branchement. Voir l'illustration ci-contre.



3.5.3 INSTALLATION SIMPLIFIÉE (TELLE QU'ELLE EST ILLUSTRÉE À LA SECTION 1.3)

Distribution d'air frais (raccordement côté retour d'air)

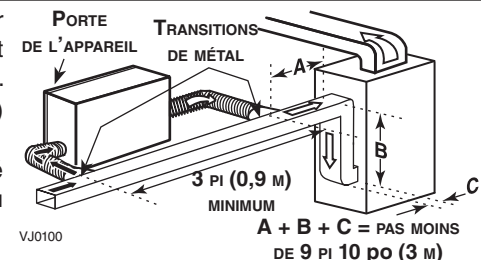
Même procédure que pour l'évacuation à la source, décrite au point 3.5.2.

Aspiration d'air vicié (raccordement côté retour d'air)

⚠ AVERTISSEMENT

Lors de raccordement au conduit, toujours utiliser des outils et matériaux approuvés. Respecter toutes les lois et les règlements en vigueur. Veuillez vous référer à votre code du bâtiment.

- Situer l'ouverture du conduit d'aspiration d'air vicié dans le conduit de retour d'air de la fournaise à une distance d'au moins 3 pi (0,9 m) du raccordement du conduit de distribution d'air frais. À l'aide d'un ciseau à tôle, découper un trou de 5 po Ø.
- Utiliser une transition de métal (non incluse, offerte dans les quincailleries) pour relier le conduit de l'appareil au conduit de retour d'air de la fournaise.
- Relier l'autre extrémité du conduit flexible à la bouche d'aspiration d'air vicié (voir l'icône à droite de l'appareil). Utiliser une attache autobloquante et du ruban à conduit pour sceller le branchement. Voir l'illustration ci-contre.



ATTENTION

Le ventilateur de la fournaise doit fonctionner lorsque l'appareil de ventilation est en fonction.

3. INSTALLATION (SUITE)

3.6 INSTALLATION DES CONDUITS FLEXIBLES ISOLÉS

ATTENTION

S'assurer que le coupe-vapeur ne se déchire pas durant l'installation pour éviter que ne se forme de la condensation dans les conduits.

Suivre la procédure suivante pour raccorder les conduits flexibles isolés à la transition Tandem® (évacuation d'air vicié et aspiration d'air frais).

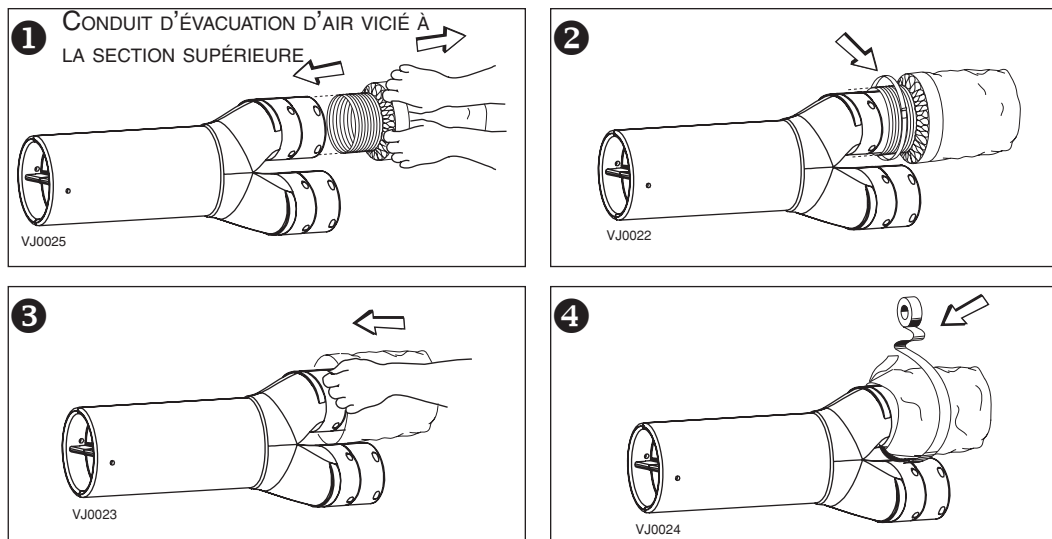
NOTE : Si les solives sont perpendiculaires aux conduits ou si le raccordement avec la bouche extérieure est situé dans un endroit restreint, utiliser deux bouches extérieures au lieu d'une seule bouche double. Dans ce cas, ne pas utiliser la transition Tandem; passer au point 3.6.2 et vous référer aux directives incluses avec la bouche extérieure simple optionnelle.

3.6.1 RACCORDEMENT À LA TRANSITION TANDEM

- 1 Pour chaque conduit, tirer sur l'isolant pour exposer le conduit flexible.
- 2 À l'aide d'une attache autobloquante, relier le conduit flexible intérieur à la plus petite section de la transition Tandem (5 po ovale).
- 3 Tirer l'isolant par-dessus le joint. Tirer le coupe-vapeur par-dessus l'isolant.
- 4 Recouvrir soigneusement le joint de ruban à conduit jusqu'à étanchéité complète. Voir les illustrations ci-dessous.

ATTENTION

Le conduit d'évacuation d'air vicié DOIT ÊTRE relié à la SECTION SUPÉRIEURE de la transition Tandem.



3. INSTALLATION (SUITE)

3.6 INSTALLATION DES CONDUITS FLEXIBLES ISOLÉS (SUITE)

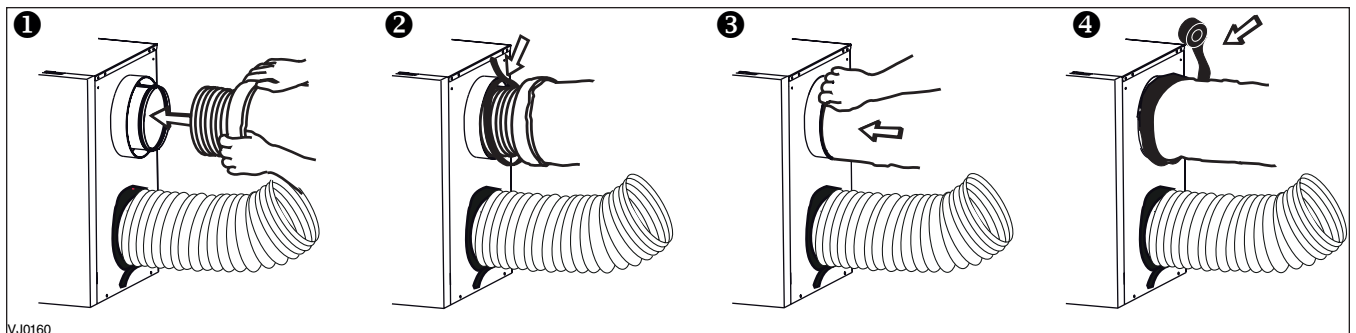
3.6.2 RACCORDEMENT AUX BOUCHES DE L'APPAREIL

Suivre la procédure suivante pour raccorder les conduits flexibles isolés aux bouches de l'appareil (évacuation d'air vicié et aspiration d'air frais). Se référer aux étiquettes d'identification près des bouches avant d'effectuer les raccordements.

- 1 Pour les deux conduits restants, tirer sur l'isolant pour exposer le conduit flexible.
- 2 À l'aide d'une attache autobloquante, relier le conduit flexible intérieur à l'anneau intérieur de la bouche.
- 3 Tirer l'isolant par-dessus le joint et l'insérer entre l'anneau intérieur et l'anneau extérieur de la bouche. Tirer le coupe-vapeur par-dessus l'isolant et par-dessus l'anneau extérieur de la bouche.
- 4 Recouvrir soigneusement le joint de ruban à conduit jusqu'à étanchéité complète. Voir les illustrations ci-dessous.

ATTENTION

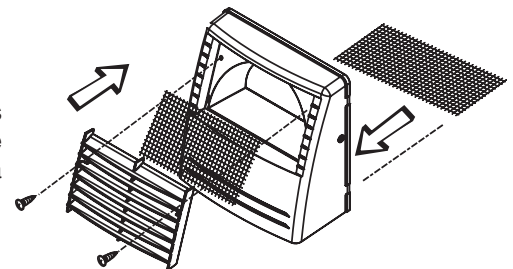
Éviter de comprimer l'isolant lors du serrage du ruban autour du joint. Un isolant comprimé perd ses propriétés isolantes et provoque la formation de gouttes (condensation) sur la surface extérieure du conduit.



3.7 INSTALLATION DE LA BOUCHE EXTÉRIURE DOUBLE*

3.7.1 ASSEMBLAGE DE LA BOUCHE EXTÉRIURE DOUBLE

La bouche extérieure double est en pièces détachées. À l'aide des 2 vis n° 8 x 3/4 po, assembler le grillage métallique supérieur et la grille de plastique à la bouche extérieure double. Puis, glisser le grillage métallique inférieur à la bouche extérieure double. Voir l'illustration.



VO0024

* Brevetée

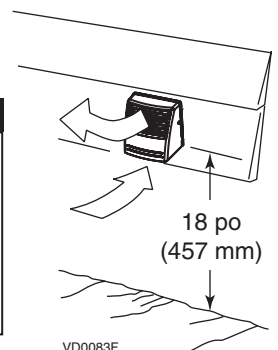
3.7.2 EMPLACEMENT DE LA BOUCHE EXTÉRIURE DOUBLE

La bouche extérieure double doit être installée à une distance minimum de 18 pouces (457 mm) du sol. Voir l'illustration ci-contre.

⚠ AVERTISSEMENT

S'assurer que la bouche est à une distance d'au moins 6 pi (1,8 m) (ou plus, selon les codes et standards du bâtiment en vigueur) des éléments suivants :

- Sortie de sècheuse, de fournaise haut rendement, d'aspirateur central;
- Sortie de compteur de gaz, barbecue à gaz;
- Sortie de toute source de combustion;
- Poubelle et toute autre source de contamination.



3. INSTALLATION (SUITE)

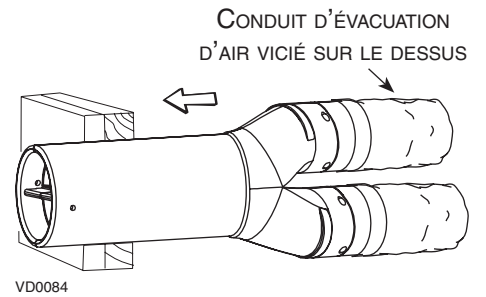
3.7 INSTALLATION DE LA BOUCHE EXTÉRIURE DOUBLE (SUITE)

3.7.3 RACCORDEMENT DE LA TRANSITION TANDEM À LA BOUCHE EXTÉRIURE DOUBLE

- 1 À l'aide d'une scie va-et-vient, découper un trou de 6 po de diamètre dans le mur extérieur et y insérer la transition Tandem.

ATTENTION

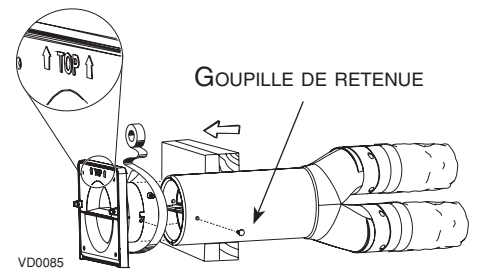
La transition Tandem doit être insérée de façon telle que le conduit d'évacuation d'air vicié soit situé sur le dessus.



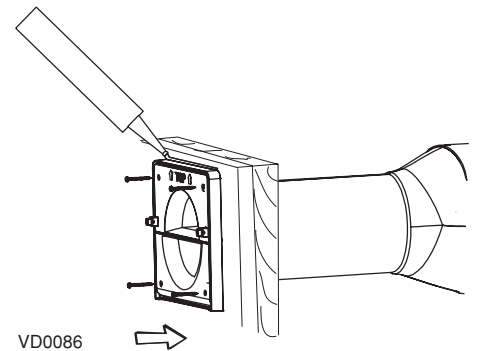
- 2 Relier l'extrémité de la transition Tandem à l'arrière de la plaque de la bouche extérieure. Fixer à l'aide de 2 goupilles de retenue et sceller soigneusement avec du ruban adhésif en toile.

ATTENTION

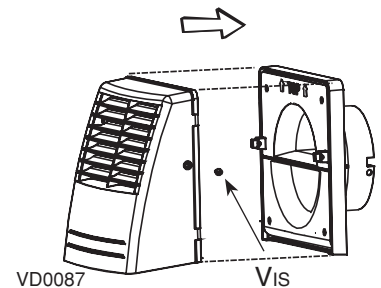
La plaque de bouche extérieure doit être installée de façon telle que le mot « TOP » soit situé en haut.



- 3 Appuyer la plaque de la bouche extérieure au mur. À l'aide des 4 vis n° 8 x 1 1/2 po, la fixer au mur.

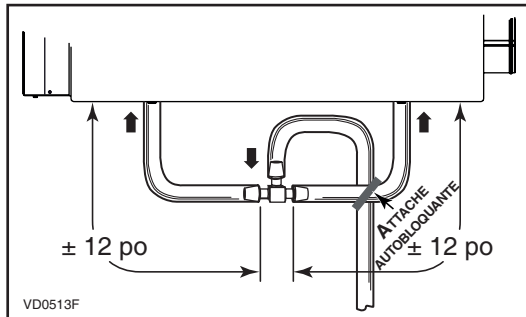


- 4 Enclencher la bouche extérieure double assemblée sur sa plaque et la visser avec 2 vis n° 8 x 3/4 po.



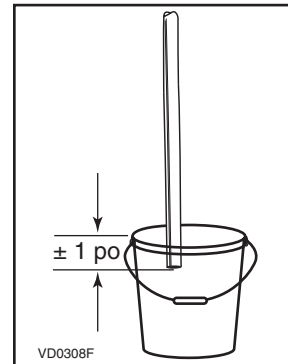
3. INSTALLATION (SUITE)

3.8 RACCORDEMENT DU BOYAU DE DRAINAGE



Couper 2 sections du boyau de plastique, d'une longueur approximative de 12 po et les relier aux 2 raccords de drain internes situés sous l'appareil, tel qu'il est illustré.

Relier ces 2 sections au raccord en « T » et au boyau principal tel qu'il est illustré, afin d'éviter que l'appareil n'aspire de mauvaises odeurs provenant du drain.



Raccorder le boyau au drain du sous-sol ou à un seau.

IMPORTANT

Si un seau est utilisé pour recueillir l'eau, placer le bout du boyau à environ 1 po du bord du seau afin d'éviter que l'eau ne remonte dans l'appareil.

4. COMMANDES

Cet appareil est muni d'une commande de dégivrage intégrée située sous son compartiment électrique. Brancher l'appareil.

4.1 SÉQUENCE DE DÉMARRAGE

La séquence de démarrage de l'appareil est similaire à une séquence de démarrage d'un ordinateur personnel. À toutes les fois où l'on rebranche l'appareil, ou après une panne de courant, l'appareil effectuera une séquence de démarrage avant de commencer à fonctionner.

Durant cette séquence, le voyant de la commande de dégivrage intégrée (2 dans l'illustration ci-dessous) sera éteint durant 3 secondes, puis passera au ROUGE pour le reste de la séquence de démarrage (environ 15 secondes). Durant cette dernière phase, l'appareil vérifie et ajuste la position du volet motorisé. Une fois cette opération terminée, le voyant s'allumera de la couleur correspondant au cycle de dégivrage programmé dans l'appareil.

NOTE : L'appareil ne peut répondre aux commandes tant que la séquence de démarrage de l'appareil n'est pas complétée.

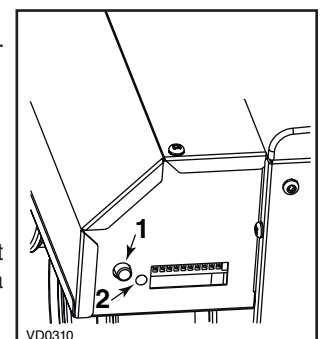
S'il survient un problème lors du fonctionnement de l'appareil, le voyant lumineux de sa commande de dégivrage intégrée (2) clignotera. La couleur du clignotant dépend du type d'erreur détectée. Pour plus de détails, consulter la section 7 Dépannage en page 23.

4.2 CYCLES DE DÉGIVRAGE

Utiliser le bouton-poussoir (1) pour changer le mode de dégivrage de l'appareil (voir le tableau ci-dessous).

COULEUR DU VOYANT	CYCLE DE DÉGIVRAGE
VERT	STANDARD
ROUGE	PLUS
AMBRE	DISCRÉTION

NOTE : Il y a un délai de 15 minutes avant que le choix du nouveau cycle de dégivrage ne soit enregistré; s'il survient une panne de courant durant cette période, lorsque le courant sera rétabli, l'appareil retournera à son réglage précédent.



Il existe trois types de cycles de dégivrage, pour répondre à vos besoins :

STANDARD : Ce cycle, pré-réglé en usine, est le cycle par défaut, car c'est celui qui convient le mieux aux conditions normales de température. Lorsque requis, l'appareil effectue un cycle de dégivrage en haute vitesse.

PLUS : Ce cycle a été créé pour les gens qui habitent en région froide (température extérieure à -27 °C [-17 °F] et plus basse). Dans ce réglage, l'appareil effectue son cycle de dégivrage en haute vitesse durant une plus longue période.

DISCRÉTION : Lorsque requis, le cycle de dégivrage s'effectuera à la même vitesse que la vitesse de ventilation de l'appareil. Par exemple, si la vitesse de ventilation est réglée à haute, le cycle de dégivrage s'effectuera en haute vitesse, mais si la vitesse de ventilation est réglée à basse, le cycle de dégivrage s'effectuera en basse vitesse.

4. COMMANDES (SUITE)

4.3 INSTALLATION DE LA COMMANDE MURALE PRINCIPALE

Ces appareils se contrôlent à l'aide d'une commande murale principale (incluse).

NOTE : Si une commande auxiliaire optionnelle est utilisée, lorsqu'elle est activée, la commande auxiliaire prévaudra sur celle de la commande principale.

⚠ AVERTISSEMENT

Toujours débrancher l'appareil avant d'effectuer toutes connexions. Le fait de ne pas débrancher l'appareil pourrait créer un choc électrique, endommager l'appareil, la commande murale, ou le module électronique à l'intérieur de l'appareil.

ATTENTION

Le fait de ne pas tenir compte des pratiques suivantes peut causer de l'interférence électrique, ce qui peut entraîner le fonctionnement erratique de la commande murale :

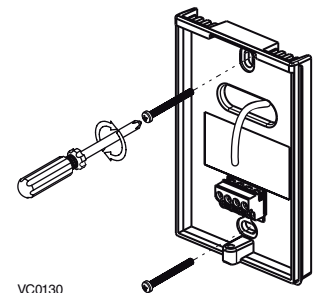
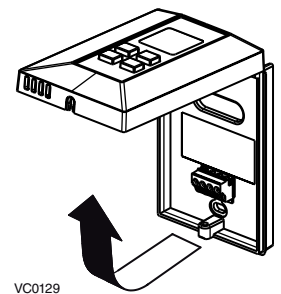
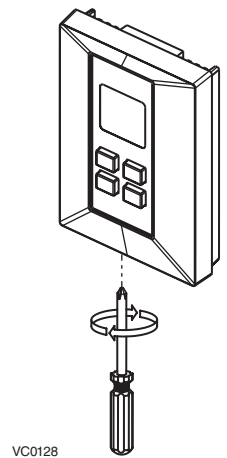
- **Ne jamais installer plus d'une commande murale principale par appareil.**
- **Tenir le câblage basse tension de la commande à une distance d'au moins 1 pi (305 mm) des moteurs, ballast d'éclairage, circuit gradateur d'éclairage et panneau de distribution de courant. Ne pas faire cheminer le fil de la commande murale le long du câblage électrique de la maison.**
- **Éviter les connexions relâchées.**

❶ Acheminer le fil de la commande (incluse) de l'appareil à un emplacement commode pour la commande.

❷ Desserrer la vis de verrouillage (la vis ne devrait pas être retirée).

❸ Détacher la façade du socle en tirant sur sa partie inférieure. Si nécessaire, agrandir les trous de fixation et insérer les douilles à expansion.

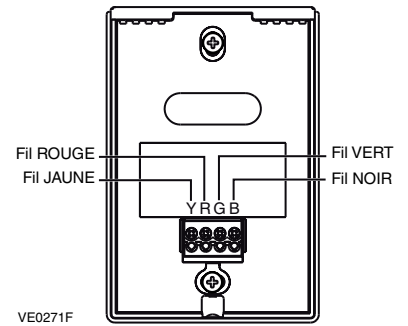
❹ Paser le câble (4 fils) dans l'ouverture du socle et fixer le socle au mur à l'aide des vis fournies dans la quincaillerie d'assemblage de l'appareil de ventilation.



4. COMMANDES (SUITE)

4.3 INSTALLATION DE LA COMMANDE MURALE PRINCIPALE (SUITE)

- 5 Dégainer l'extrémité du câble pour accéder aux 4 fils. Dénuder le bout de chaque fil. Brancher chaque fil à sa borne correspondante : le fil JAUNE à « Y », le fil ROUGE à « R », le fil VERT à « G » et le fil NOIR à « B ». Voir l'illustration ci-contre.



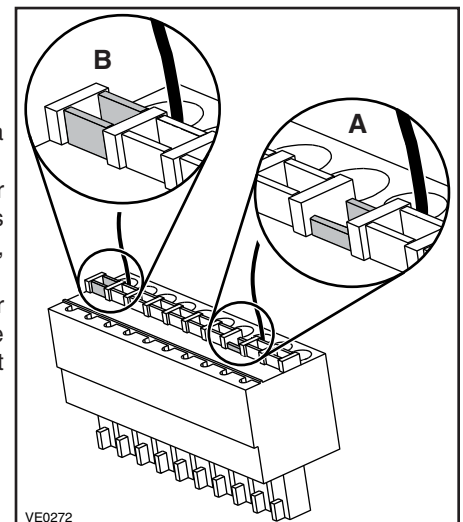
- 6 Réinstaller la façade sur le socle et serrer la vis de verrouillage.

4.4 BRANCHEMENT DE LA (DES) COMMANDE(S) À L'APPAREIL

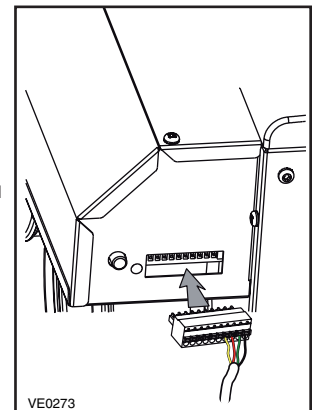
Utiliser le bornier inclus dans le kit d'installation pour effectuer le branchement de la commande principale optionnelle ainsi que de la commande auxiliaire optionnelle. S'assurer que les fils soient insérés correctement dans leur réceptacle de bornier correspondant. (Un fil est inséré correctement lorsque le réceptacle orange est plus bas qu'un autre réceptacle sans fil. Dans l'illustration ci-contre, le fil **A** est correctement inséré, mais le fil **B** ne l'est pas.)

Dégainer l'extrémité du câble pour accéder aux 4 fils. Dénuder le bout de chaque fil. Brancher chaque fil à son réceptacle correspondant : le fil JAUNE à « Y », le fil ROUGE à « R », le fil VERT à « G » et le fil NOIR à « B ». S'assurer que les fils soient insérés correctement dans leur réceptacle de bornier correspondant.

Si installée, raccorder le fil de la commande auxiliaire optionnelle (non illustrée).



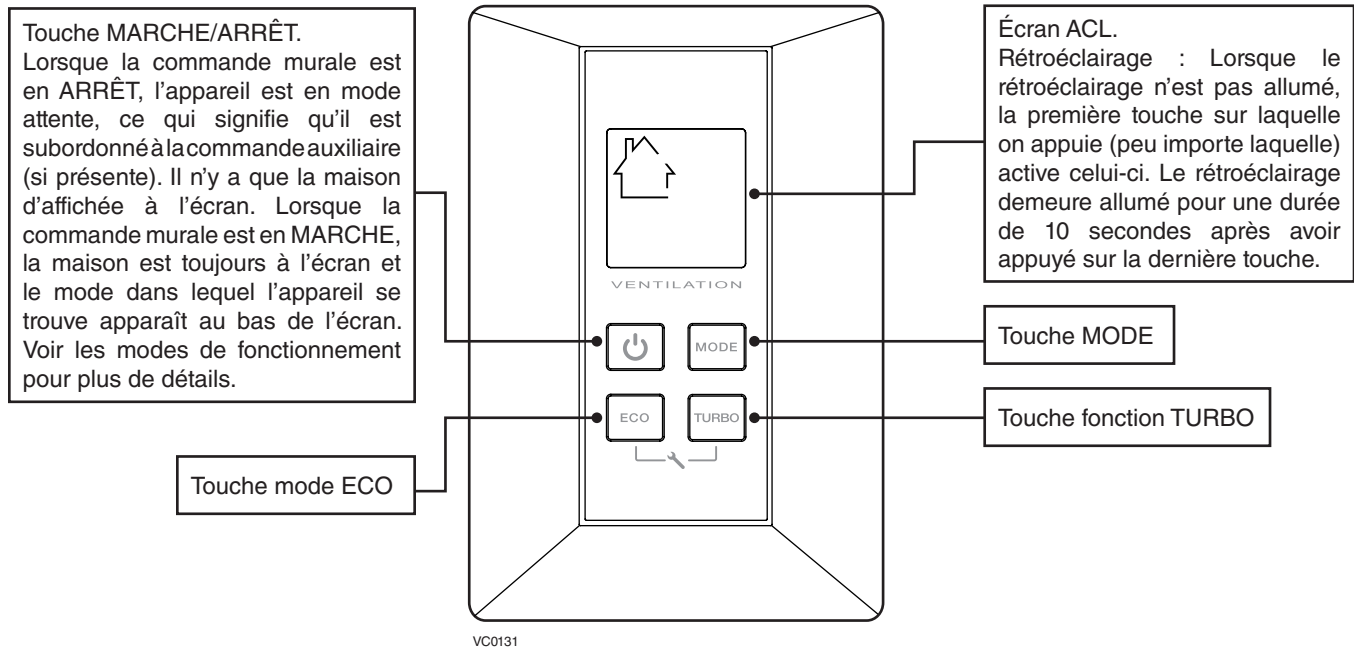
Une fois le branchement de la (des) commande(s) effectué(s), insérer le bornier dans l'interface du compartiment électrique. Brancher l'appareil.



4. COMMANDES (SUITE)

4.5 DESCRIPTION DE LA COMMANDE MURALE PRINCIPALE

La commande murale incluse est la 40405 (seulement pour les appareils Venmar EVO5 500 HRV et EVO5 700 HRV HEPA) ou la 40410 (seulement pour les appareils Broan HRV 5.1 et HRV 7.1 HEPA). La commande murale est en mode ARRÊT lorsqu'elle est mise sous tension pour la première fois. Après une interruption de courant, la commande murale retourne à son mode de fonctionnement original.



4.6 UTILISATION DE LA COMMANDE MURALE PRINCIPALE

4.6.1 MODES DE FONCTIONNEMENT

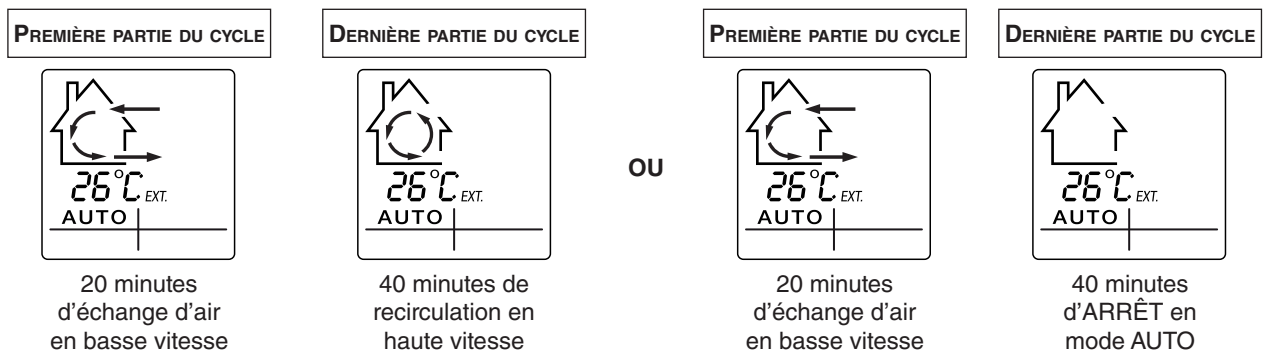


Lorsque la commande murale est en MARCHÉ, appuyer sur la touche MODE pour choisir le mode de fonctionnement de l'appareil de ventilation. Le nom du mode de fonctionnement apparaîtra à l'écran (AUTO, ECO, CONT et RECIRC).

MODE AUTO

L'appareil de ventilation échange l'air de façon intermittente durant un cycle d'une heure comme suit : échange l'air pendant 20 minutes en basse vitesse, puis passe en recirculation en haute vitesse durant 40 minutes (ou en ARRÊT durant 40 minutes, voir la section 4.6.3). Le cycle reprend après la période de 40 minutes.

NOTE : La température extérieure affichée durant la période AUTO en recirculation ou AUTO en arrêt provient de la lecture effectuée quand l'appareil échange l'air avec l'extérieur (première partie du cycle du mode AUTO). Aussi, garder en mémoire que la lecture de la température extérieure provient de la bouche d'aspiration d'air frais de l'appareil; en raison de la longueur du conduit isolé, le résultat de cette lecture est légèrement différent de la température extérieure réelle.



4. COMMANDES (SUITE)

4.6 UTILISATION DE LA COMMANDE MURALE PRINCIPALE (SUITE)

4.6.1 MODES DE FONCTIONNEMENT (SUITE)

Mode ECO

L'appareil de ventilation échange l'air de façon intermittente durant un cycle d'une heure comme suit : échange l'air pendant 10 minutes, puis en recirculation en basse vitesse pendant 50 minutes (ou ARRÊT pendant 50 minutes et échange l'air pendant 10 minutes, voir la section 4.6.3).

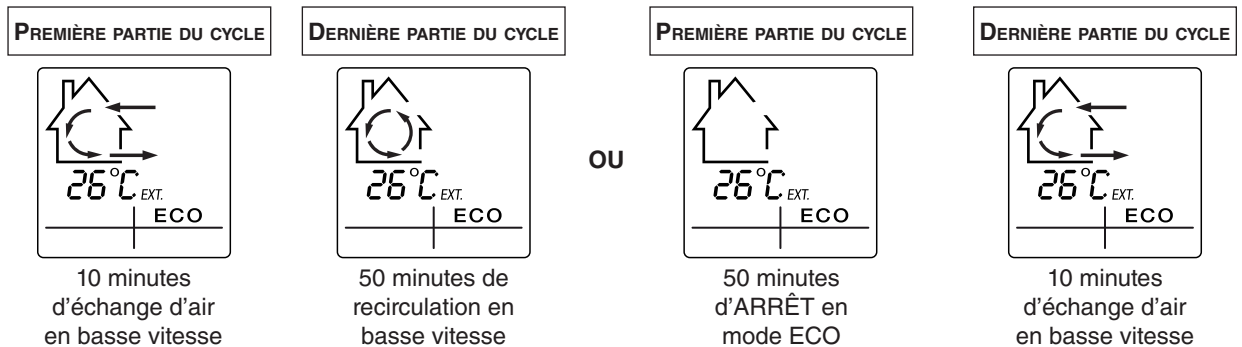
NOTE : La température extérieure affichée durant la période ECO en recirculation ou ECO en arrêt provient de la lecture effectuée quand l'appareil échange l'air avec l'extérieur (première ou dernière partie du cycle du mode ECO). Aussi, garder en mémoire que la lecture de la température extérieure provient de la bouche d'aspiration d'air frais de l'appareil; en raison de la longueur du conduit isolé, le résultat de cette lecture est légèrement différent de la température extérieure réelle.

Touche Mode ECO

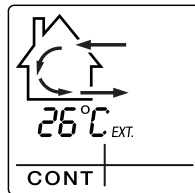


Lorsque la commande murale est en MARCHE, appuyer sur la touche ECO pour accéder directement au mode ECO, sans avoir à parcourir les autres modes à l'écran. Appuyer une autre fois pour sortir du mode ECO et revenir au mode de fonctionnement précédent.*

*Sauf s'il était en mode TURBO; dans ce cas particulier, l'appareil retournera au mode choisi avant le mode TURBO.

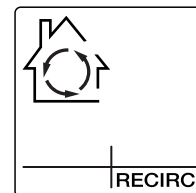


Mode CONT



Échange d'air en continu en basse vitesse

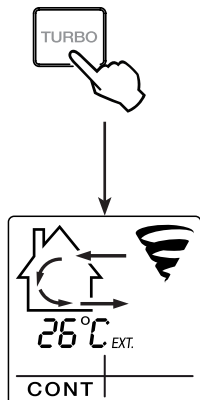
Mode RECIRC



Recirculation en continu en haute vitesse

NOTE : Dans ce mode, la température extérieure n'est pas affichée.

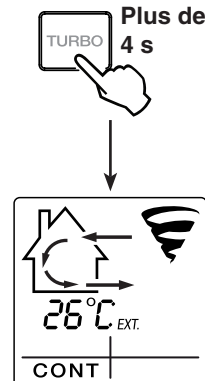
4.6.2 TOUCHE FONCTION TURBO



Lorsque la commande murale est en MARCHE (peu importe le mode de fonctionnement), appuyer sur la touche TURBO pour régler l'appareil en échange d'air en haute vitesse durant 4 heures, puis l'appareil retournera à son mode de fonctionnement précédent*.

Lorsque la fonction est activée, l'icône de la tornade clignote. Pour quitter cette fonction avant la fin du cycle de 4 heures, appuyer une autre fois sur la touche TURBO; l'appareil retournera à son mode de fonctionnement précédent*

*Sauf s'il était en mode ECO; dans ce cas particulier, l'appareil retournera au mode choisi avant le mode ECO.



Lorsque la commande murale est en MARCHE (peu importe le mode de fonctionnement), appuyer sur la touche TURBO durant plus de 4 secondes pour régler l'appareil en échange d'air en haute vitesse sans limite de temps.

Lorsque la fonction est activée, l'icône de la tornade apparaît à l'écran. Pour quitter cette fonction, appuyer une autre fois sur la touche TURBO; l'appareil retournera à son mode de fonctionnement précédent*

*Sauf s'il était en mode ECO; dans ce cas particulier, l'appareil retournera au mode choisi avant le mode ECO.

4. COMMANDES (SUITE)

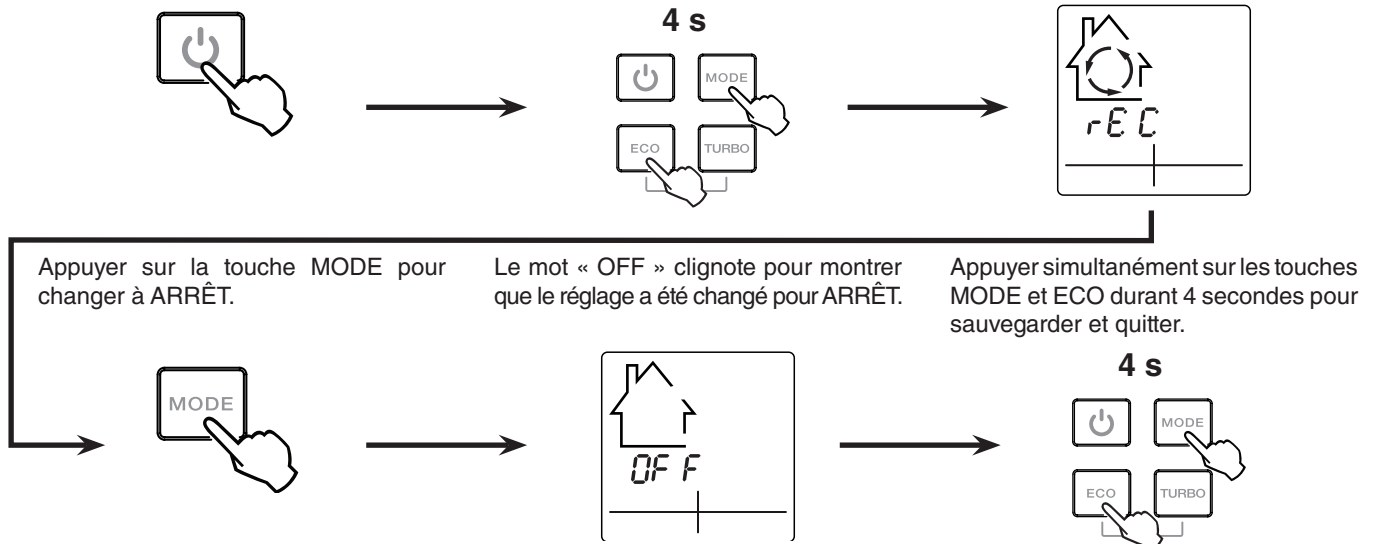
4.6 UTILISATION DE LA COMMANDE MURALE PRINCIPALE (SUITE)

4.6.3 PASSER DE RECIRCULATION À ARRÊT POUR LES MODES AUTO ET ECO

NOTE : Avant d'effectuer ce réglage, la commande murale doit être en MARCHÉ.

Pour accéder au réglage, appuyer simultanément durant 4 secondes sur les touches MODE et ECO.

Les lettres rEC et les flèches en cercle clignotent (configuration par défaut).



NOTE : Pour retourner à RECIRCULATION en modes AUTO et ECO (en deuxième partie de cycle), refaire la procédure au complet.

4.6.4 RÉGLAGE DE L'UNITÉ DE TEMPÉRATURE AFFICHÉE

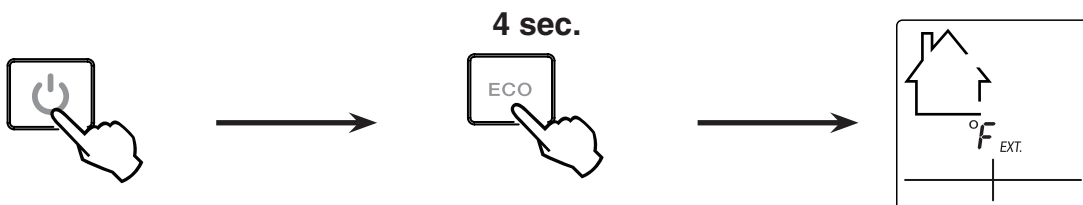
L'unité de température affichée est pré-réglée en usine en degrés Celcius (°C), mais si désiré, elle peut être changée en degrés Fahrenheit (°F).

Suivre ces étapes :

NOTE : Avant d'effectuer ce réglage, la commande murale doit être en MARCHÉ.

Appuyer durant 4 secondes sur la touche ECO.

°F clignotera à l'écran un moment pour montrer qu'il est maintenant la nouvelle unité de température, puis restera à l'écran.



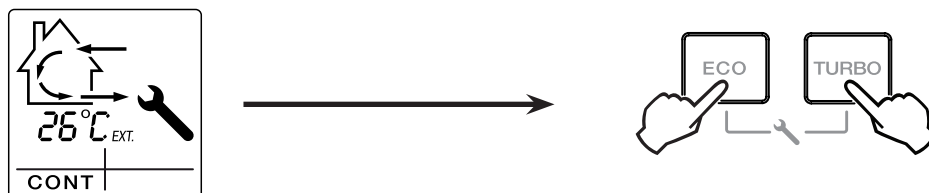
NOTE : Pour retourner à °C pour l'affichage de la température, refaire la procédure au complet.

4.6.5 INDICATEUR D'ENTRETIEN

Lorsqu'il est temps d'effectuer l'entretien de l'appareil, une clé apparaît à l'écran, peu importe le mode dans lequel l'appareil se trouve. Aller à la section 5. Entretien.

NOTE : Cette icône disparaît si on règle la commande murale à ARRÊT, mais réapparaît lorsqu'on la remet en MARCHÉ.

Une fois l'entretien terminé, réinitialiser la commande murale en appuyant simultanément sur les touches ECO et TURBO. La clé disparaîtra de l'écran.

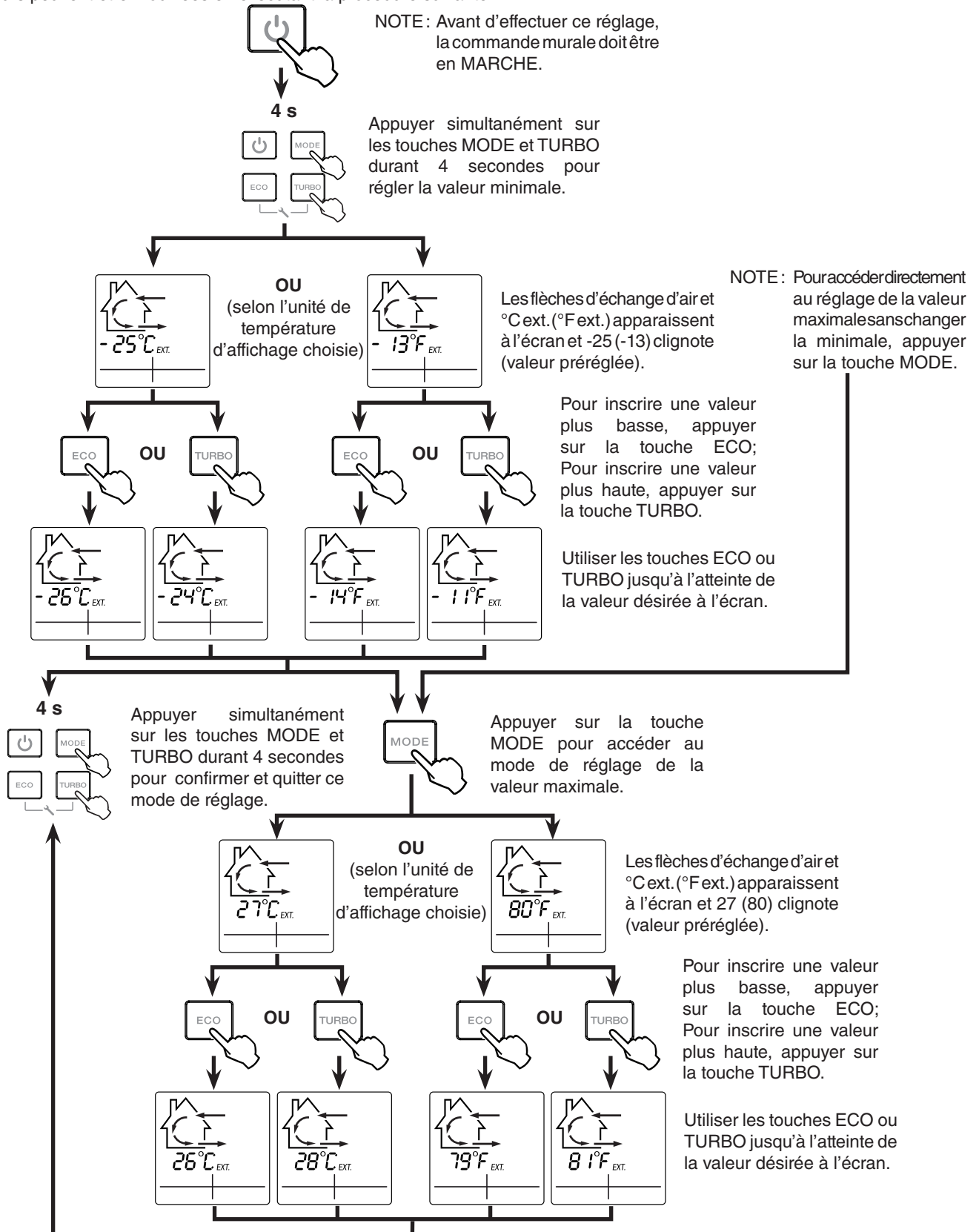


4. COMMANDES (SUITE)

4.6 UTILISATION DE LA COMMANDE MURALE PRINCIPALE (SUITE)

4.6.6 COMMENT CHANGER LES LIMITES MINIMALE ET MAXIMALE DE TEMPÉRATURE D'ÉCHANGE D'AIR POUR LES MODES ECO ET AUTO

Pour plus de confort dans votre foyer, les limites minimale et maximale de température d'échange d'air permettent d'arrêter l'échange d'air avec l'extérieur. Les valeurs préréglées sont : minimum -25°C (-13°F), maximum 27°C (80°F). Si désiré, ces valeurs peuvent être modifiées en exécutant la procédure suivante :



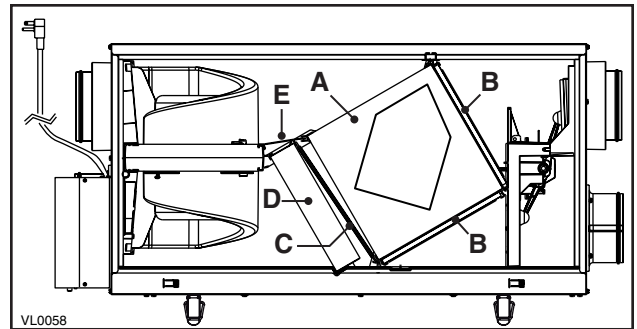
5. ENTRETIEN

⚠ AVERTISSEMENT

Danger d'électrocution. Avant d'effectuer l'entretien, toujours faire cesser le fonctionnement de l'appareil et le débrancher.

Reportez-vous à l'illustration de droite pour identifier les pièces internes amovibles de votre appareil :

- A. Noyau de récupération de chaleur
- B. Filtres de noyau de récupération de chaleur (2)
- C. Préfiltre (appareils EVO5 700 HRV HEPA et HRV 7.1 HEPA seulement)
- D. Filtre HEPA (appareils EVO5 700 HRV HEPA et HRV 7.1 HEPA seulement)
- E. Support du noyau (appareils EVO5 700 HRV HEPA et HRV 7.1 HEPA seulement)



5.1 CYCLES D'ENTRETIEN

Ces appareils nécessitent des entretiens réguliers et annuels. Lorsque la clé apparaît à l'écran de la commande murale, effectuer l'entretien requis, selon le modèle de l'appareil.

TABLEAU D'ENTRETIEN POUR LES APPAREILS
EVO5 500 HRV ET HRV 5.1



APPARITION DE 	TYPE D'ENTRETIEN
PREMIÈRE FOIS	RÉGULIER
DEUXIÈME FOIS	RÉGULIER
TROISIÈME FOIS	RÉGULIER
QUATRIÈME FOIS	ANNUEL

TABLEAU D'ENTRETIEN POUR LES APPAREILS
EVO5 700 HRV HEPA ET HRV 7.1

APPARITION DE 	TYPE D'ENTRETIEN
PREMIÈRE FOIS	RÉGULIER
DEUXIÈME FOIS	RÉGULIER + REMPLACEMENT DU PRÉFILTRE
TROISIÈME FOIS	RÉGULIER
QUATRIÈME FOIS	ANNUEL + REMPLACEMENT DU FILTRE HEPA ET DU PRÉFILTRE

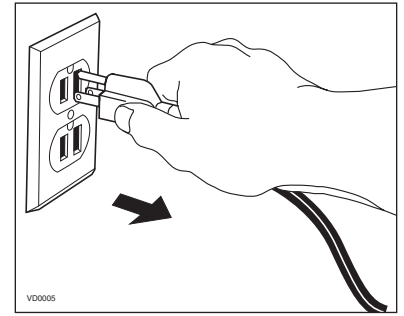
Comme il est mentionné dans les tableaux ci-dessus, l'entretien annuel termine le cycle d'entretien. Après un entretien annuel, la prochaine fois que la clé apparaîtra à l'écran, un nouveau cycle d'entretien commencera.

5. ENTRETIEN (SUITE)

5.2 ENTRETIEN RÉGULIER

Effectuer cet entretien chaque fois que la clé apparaît à l'écran de la commande murale.

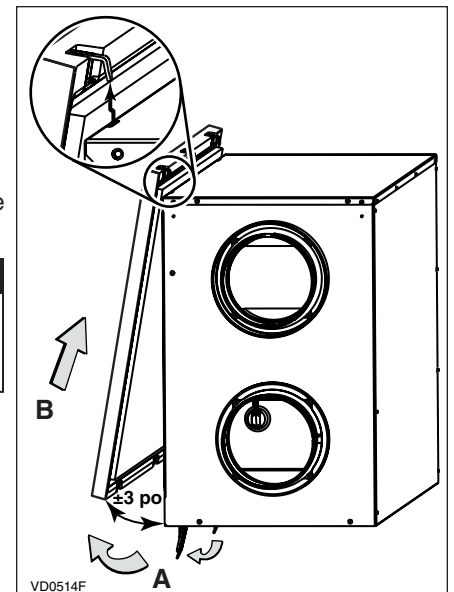
- 1 Arrêter le fonctionnement de l'appareil et le débrancher.



- 2 Désenclencher les loquets, ouvrir (A) et retirer (B) la porte de l'appareil et la mettre de côté.

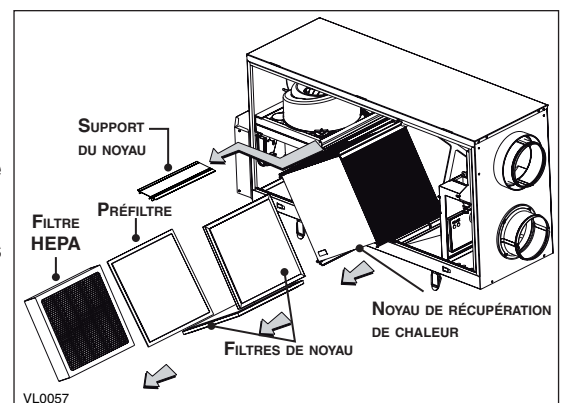
ATTENTION

Afin de ne pas endommager les crochets de la porte, ne pas l'ouvrir complètement; l'ouvrir d'environ 3 po de la base et la soulever. Voir l'illustration ci-contre.



- 3 Glisser hors de l'appareil le noyau de récupération de chaleur, le support du noyau et tous les filtres.

NOTE : Le support de noyau, le filtre HEPA et le préfiltre seulement dans les appareils HRV 7.1 HEPA et EVO5 700 HRV HEPA.



- 4 Nettoyer les parois internes de l'appareil avec un linge humide, puis les essuyer avec un linge sec.
- 5 Enlever la poussière du noyau à l'aide d'un aspirateur muni d'une brosse à poils doux. Laver les deux filtres de noyau avec de l'eau chaude et un savon doux. Rincer soigneusement et laisser sécher complètement.

5. ENTRETIEN (SUITE)

5.2 ENTRETIEN RÉGULIER (SUITE)

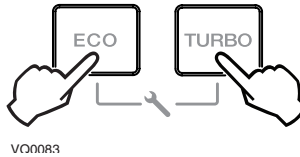
- ⑥ Remettre en place le noyau de récupération de chaleur avec ses filtres.

Seulement pour les appareils EVO5 700 HRV HEPA et HRV 7.1 HEPA : Le noyau de récupération de chaleur doit être réinstallé AVANT le support de noyau. Remettre en place le filtre HEPA mais avant de réinstaller le préfiltre, vérifier la date d'installation inscrite sur le cadre du filtre HEPA. Si son installation date de plus de 6 mois, jeter le préfiltre et en installer un neuf, mais conserver le filtre HEPA.

- ⑦ Remettre en place la porte, brancher l'appareil et le mettre en marche.

NOTE : Après un délai de 20 secondes pour la séquence de démarrage, l'appareil reviendra à son fonctionnement précédent.

- ⑧ Réinitialiser la commande murale.



5.3 ENTRETIEN ANNUEL

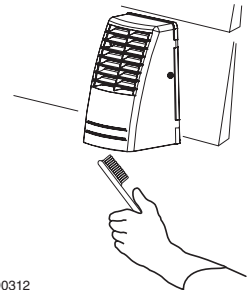
Effectuer cet entretien lorsque la clé apparaît pour la quatrième fois à l'écran de la commande murale (voir les tableaux au point 5.1 Cycles d'entretien à la page précédente).

Refaire les étapes ① à ⑤ de l'entretien régulier et continuer avec les étapes suivantes :

- ⑥ Faire tremper le noyau de récupération de chaleur durant 3 heures dans une solution d'eau chaude et de savon doux (liquide à vaisselle). Rincer soigneusement, égoutter et réinstaller avec ses filtres.

Seulement pour les appareils EVO5 700 HRV HEPA et HRV 7.1 HEPA : Le noyau de récupération de chaleur doit être réinstallé AVANT le support de noyau. Jeter le filtre HEPA et son préfiltre et les remplacer par de nouveaux. NE PAS OUBLIER D'INSCRIRE LA DATE D'INSTALLATION SUR LE CADRE DU NOUVEAU FILTRE HEPA.

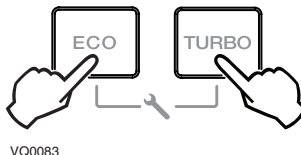
- ⑦ Vérifier la bouche extérieure; s'assurer qu'il n'y a pas de feuilles, de brindilles, de glace ou de neige qui pourraient être aspirées par la bouche d'air. Nettoyer au besoin.



- ⑧ Remettre en place la porte, brancher l'appareil et le mettre en marche.

NOTE : Prévoir un délai de 20 secondes pour la séquence de démarrage.

- ⑨ Réinitialiser la commande murale.



6. PIÈCES DE REMPLACEMENT

Pour vous procurer les pièces du tableau ci-dessous, rendez-vous au magasin où votre appareil a été acheté ou à un centre de services autorisé.

NOTE : Veuillez noter que les pièces absentes du tableau ne sont pas offertes; ces pièces requièrent un assemblage particulier que seul le fabricant peut garantir.

Description	N° de pièce	Qté pour les appareils EVO5 700 HRV HEPA et HRV 7.1 HEPA	Qté pour les appareils EVO5 500 HRV et HRV 5.1
Ensemble de filtre HEPA (1 par ensemble) et préfiltre (2 par ensemble)	21293	1	-
Préfiltre (2)	61561	1	-
Filtre de noyau	61563	2	2

7. DÉPANNAGE

Si l'appareil ne fonctionne pas correctement, réinitialiser l'appareil en le débranchant durant une minute puis en le rebranchant.
Si l'appareil ne fonctionne toujours pas correctement, consulter le tableau ci-dessous.

	Problèmes	Essayez ceci
1	Le code d'erreur E1 ou E3 apparaît à l'écran de la commande murale.	<ul style="list-style-type: none">• Réinitialiser l'appareil en le débranchant durant 30 secondes.• Si le problème n'est pas résolu, contacter le service à la clientèle.
2	Rien ne fonctionne.	<ul style="list-style-type: none">• Vérifier si l'appareil est bien branché.• Vérifier si la bouche supérieure gauche est libre de tout matériau d'emballage.• Vérifier le disjoncteur ou le fusible de la maison alimentant l'appareil.
3	Condensation sur les fenêtres (air trop humide).	<ul style="list-style-type: none">• Voir la section Commandes, plus spécifiquement le point 4.6.1 Modes de fonctionnement en pages 16 et 17.• Laisser les rideaux entrouverts pour laisser circuler l'air.• Entreposer le bois de chauffage dans une pièce fermée dotée d'un déshumidificateur, ou dans une pièce bien aérée, ou encore à l'extérieur.• Garder la température à l'intérieur de la maison au-dessus de 18 °C (64 °F).
4	Air intérieur trop sec (en saison froide).	<ul style="list-style-type: none">• Utiliser temporairement un humidificateur.• Voir la section Commandes, plus spécifiquement le point 4.6.1 Modes de fonctionnement en pages 16 et 17.
5	Air trop froid à la grille de distribution (en saison froide).	<ul style="list-style-type: none">• Vérifier si la bouche extérieure n'est pas obstruée, surtout la grille supérieure.• Régler l'appareil en mode AUTO ou ECO. Voir la section Commandes, 4.6.1 Modes de fonctionnement en pages 16 et 17.• Changer le cycle de dégivrage de l'appareil à PLUS. Voir 4.2 Cycles de dégivrage en page 13.
6	Le voyant lumineux de la commande de dégivrage intégrée clignote VERT.	<ul style="list-style-type: none">• Réinitialiser l'appareil en le débranchant durant 30 secondes.• Si le problème persiste, le thermistor éprouve des difficultés. L'appareil fonctionne toujours, mais trop souvent en mode dégivrage. Contacter le Service à la clientèle.
7	Le voyant lumineux de la commande de dégivrage intégrée clignote AMBRE.	<ul style="list-style-type: none">• Réinitialiser l'appareil en le débranchant durant 30 secondes.• Si le problème persiste, le système volet éprouve des difficultés. L'appareil est en arrêt. Durant 5 heures, l'appareil tentera de le réinitialiser à toutes les 30 minutes. Après 5 heures, si le problème persiste, l'appareil cessera.• Contacter le Service à la clientèle.
8	Le bouton-poussoir de la commande de dégivrage intégrée ne fonctionne pas.	<ul style="list-style-type: none">• La séquence de démarrage de 20 secondes n'est pas terminée, voir le point 4.1 Séquence de démarrage en page 13.

Si le problème persiste, contacter votre installateur ou le centre de services le plus près de chez vous. Aussi, vous pouvez joindre l'équipe du service à la clientèle au numéro suivant : 1 800 567-3855

GARANTIE - ÉCHANGEUR D'AIR CENTRAL

Le fabricant garantit au consommateur, acheteur initial de ses produits, que ceux-ci sont exempts de tout défaut de fabrication pour la période citée plus bas et ce, à partir de la date d'achat originale.

L'ÉCHANGEUR D'AIR CENTRAL est appuyé par une garantie complète de 1 an sur toutes les pièces et la main-d'œuvre en atelier.

Obtenez 1 an de garantie supplémentaire pour un total de 2 ans sur les pièces et la main-d'œuvre en atelier en enregistrant votre produit en ligne. Pour tous les détails de l'enregistrement en ligne, veuillez consulter la marche à suivre décrite dans le document fourni avec l'échangeur d'air.

CETTE GARANTIE REMPLACE TOUTES LES AUTRES GARANTIES EXPRESSES OU IMPLICITES, INCLUANT LES GARANTIES RELATIVES À LA QUALITÉ MARCHANDE ET À L'USAGE. LE MANUFACTURIER NE SERA TENU RESPONSABLE EN AUCUN CAS DE TOUTE RÉCLAMATION POUR UN MONTANT EXCÉDANT LE COÛT D'ACHAT ORIGINAL D'UN ÉCHANGEUR D'AIR CENTRAL, NI TENU RESPONSABLE DE TOUT DOMMAGE SUBSÉQUENT OU INCIDENT.

Durant la période de garantie citée plus haut, le fabricant, à sa discrétion, réparera ou remplacera gratuitement toute pièce ou tout produit jugé défectueux et ayant été utilisé et entretenu de façon normale. **LES FILTRES DE NOYAU, LE PRÉFILTRE (LE CAS ÉCHÉANT) ET LE FILTRE (LE CAS ÉCHÉANT) NE SONT PAS INCLUS DANS CETTE GARANTIE.**

Le service sous garantie doit être exécuté par un centre de service autorisé désigné par le fabricant. Le cas échéant, le service à domicile ne sera offert que dans les régions où un centre de services autorisé existe déjà. Si le service à domicile n'est pas disponible dans la région, l'appareil sera réparé ou remplacé, à la discrétion du fabricant, par le centre de services autorisé le plus près.

Les travaux de retrait et de réinstallation de l'appareil sont de la responsabilité du consommateur et ne peuvent être facturés au fabricant.

Cette garantie ne couvre pas a) l'entretien et le service normal, b) toute pièce ou tout produit endommagé à la suite de mauvais usage, de négligence, d'accident, d'entretien inapproprié ou de réparations autre que celles effectuées sous la supervision du fabricant, ou c) d'une mauvaise installation ou d'une installation non conforme au mode d'installation recommandé. La durée de toute garantie implicite est limitée à une période de un (1) an, tel que spécifié pour la garantie explicite, à moins que le produit n'ait été enregistré en ligne; dans ce cas spécifique, elle est de deux (2) ans.

Certaines provinces ne permettent pas de limite de temps sur les garanties implicites. Si tel est le cas, veuillez ne pas tenir compte de la dernière limite décrite ci-dessus. **L'OBLIGATION QUE SE DONNE LE MANUFACTURIER DE RÉPARER OU DE REMPLACER, À SON CHOIX, UNE PIÈCE OU UN PRODUIT, SERA LE SEUL ET UNIQUE RECOURS DE L'ACHETEUR. LE MANUFACTURIER NE POURRA ÊTRE TENU RESPONSABLE DE DOMMAGES DIRECTS, INDIRECTS OU SPÉCIAUX CAUSÉS PAR L'UTILISATION OU LA PERFORMANCE DE SES PRODUITS. CERTAINES PROVINCES NE PERMETTENT PAS L'EXCLUSION OU LA LIMITE RELATIVE AUX DOMMAGES DIRECTS, INDIRECTS OU SPÉCIAUX. SI TEL EST LE CAS, VEUILLEZ NE PAS TENIR COMPTE DE L'EXCLUSION OU DE LA LIMITE CI-DESSUS.**

PIÈCES DE REMPLACEMENT ET SERVICE

Pour assurer le bon fonctionnement de votre appareil, vous devez toujours utiliser des pièces d'origine provenant du fabricant.

Les pièces d'origine du fabricant sont spécialement conçues pour satisfaire toutes les normes de certification de sécurité applicables.

Leur remplacement par des pièces ne provenant pas du fabricant pourrait ne pas assurer la sécurité de l'appareil, entraîner une réduction sévère des performances ainsi qu'un risque de défaillance prématurée. Le fabricant recommande également de toujours vous référer à une entreprise de services compétente et reconnue par celui-ci pour vos pièces de remplacement et appels de service.

CONDITIONS ET LIMITES

Ces appareils sont conçus pour usage résidentiel seulement et doivent être utilisés dans un bâtiment tel que décrit ci-dessous :

- Bâtiment :** Toute construction utilisée ou destinée à être utilisée pour abriter ou recevoir des personnes, des animaux ou des choses.
- Usage résidentiel :** Habitation, logement, suite : bâtiment, ou partie de bâtiment, servant ou destiné à servir de domicile à une ou plusieurs personnes et qui comporte généralement des installations sanitaires et des installations pour préparer et consommer des repas et pour dormir. Local constitué d'une seule pièce ou d'un groupe de pièces complémentaires et occupé par un locataire ou propriétaire; comprend les logements, les chambres individuelles des motels, hôtels, maisons de chambres, dortoirs et pensions de famille, de même que les magasins et les établissements d'affaires constitués d'une seule pièce dans une habitation.
- Usage commercial :** Établissement agricole, commercial, de réunion, de soins ou de détention : Bâtiment ou partie de bâtiment qui ne contient pas d'habitation, situé sur un terrain consacré à l'agriculture ou à l'élevage et utilisé essentiellement pour abriter des équipements ou des animaux, ou pour la production, le stockage ou le traitement de produits agricoles ou horticoles ou l'alimentation des animaux. Bâtiment, ou partie de bâtiment, utilisé pour l'étalage ou la vente de marchandises ou de denrées au détail ou utilisé pour la conduite des affaires ou la prestation de services professionnels ou personnels. Bâtiment, ou partie de bâtiment, utilisé par des personnes rassemblées pour se livrer à des activités civiques, politiques, touristiques, religieuses, mondaines, éducatives, récréatives ou similaires, ou pour consommer des aliments ou des boissons. Bâtiment, ou partie de bâtiment, abritant des personnes qui, à cause de leur état physique ou mental, nécessitent des soins ou des traitements médicaux, ou des personnes qui, à cause de mesures de sécurité hors de leur contrôle, ne peuvent se mettre à l'abri en cas de danger.
- Usage industriel :** Bâtiment, ou partie de bâtiment, utilisé pour l'assemblage, la fabrication, la confection, le traitement, la réparation ou le stockage de produits, de matières ou de matériaux dont le contenu est combustible et qu'il contient des matières très combustibles, inflammables ou explosives en quantité suffisante pour constituer un risque particulier d'incendie.

Cette garantie vous donne des droits légaux spécifiques, et il se peut que vous ayez d'autres droits qui varient d'une province à l'autre. Cette garantie annule toutes les garanties précédentes.

Pour joindre le service des garanties, veuillez contacter :

Venmar Ventilation ULC
1 800 567-3855

Pour que la réclamation soit valide, il est essentiel que le propriétaire d'un échangeur d'air central ait en main le numéro de modèle et de série de l'appareil ainsi qu'une copie de la preuve d'achat dudit produit. Dans tous les cas, les frais de déplacements ne sont pas couverts par cette garantie. Venmar Ventilation ULC, 550 boul. Lemire, Drummondville, QC Canada J2C 7W9.