



**Venmar PRO 301**  
**Part no. PRO301**  
 50 to 94 CFM (0.4 in. w.g.)



**PRO 301: THE PRO SERIES MOST SILENT HRV!**

We are proud to offer to the contractors the PRO 301. Brand new HRV added to PRO Series, this unit is equipped with the latest technology breakthrough developed by Venmar R&D team, resulting in an HRV completely adapted to meet today's customers' needs, thanks, among others, to its quiet operation. Moreover, bearing the ENERGY STAR® certification ensures this HRV is really energy efficient; one of the most wanted characteristic considered when it is time to buy an HRV.

- Fits for homes up to 2,700 sq. ft.\*
- 5-in. diameter ports mean smaller duct to ease installation
- Integrated defrost control; allows fast and easy adjustment of the defrost duration according to climatic zones
- Lite-Touch PRO Control included
- Removable terminal block to ease wall control connections
- Basic installation kit available (part no. IKSP1000, sold separately)
- Quiet operation
- ENERGY STAR® qualified

\* For new constructions, please refer to your local building code.

**REPAIRS AND MAINTENANCE**

All parts of the HRV PRO 301 that could need maintenance can be removed in less than five minutes, allowing direct access for easy repairs. The PSC motor is permanently lubricated.

**WARRANTY**

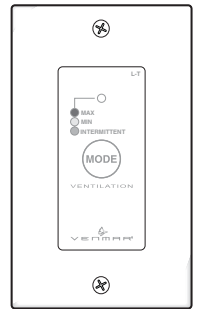
The HRV PRO 301 is protected by a 2-year warranty on parts and labor in workshop only. The heat recovery core is covered by a limited lifetime warranty, with the original proof of purchase.

Available at:

**HEAT RECOVERY VENTILATOR**

**Control**

- The Lite-Touch PRO main control, included with the unit, offers 3 operation modes: INTERMITTENT, MIN and MAX.



VC0124

**Options**

- Optional bathroom installation kit (part no. IKBV1000 or IKBB1000) including:
  - One 5-in. diameter non-insulated flexible duct, 20-ft. long
  - One 5-in. diameter diffuser
  - One 5-in. tee connector
  - Four tie-wraps, 24-in. long
  - One 20-minute lighted push-button
  - One control cable, 40-ft. long (Type 22/4).

**Defrost System**

- PRO 301 offers 3 quick access defrost modes:
  - Standard (factory set regular mode)
  - Plus (for people who live in cold region)
  - Discretion (keep the same speed when performing defrost as performing ventilation)

OUTSIDE TEMPERATURE		DEFROST CYCLES		
°C	°F	DEFROST IN MINUTES / AIR EXCHANGE IN MINUTES		
		STANDARD	PLUS	DISCRETION
WARMER THAN -5	WARMER THAN 23	NO DEFROST	NO DEFROST	NO DEFROST
FROM -5 TO -15	FROM 23 TO 5	6/40	10/30	10/40
FROM -15 TO -27	FROM 5 TO -17	5/21	10/20	10/21
-27 AND LESS	-17 AND LESS	8/15	10/15	15/15

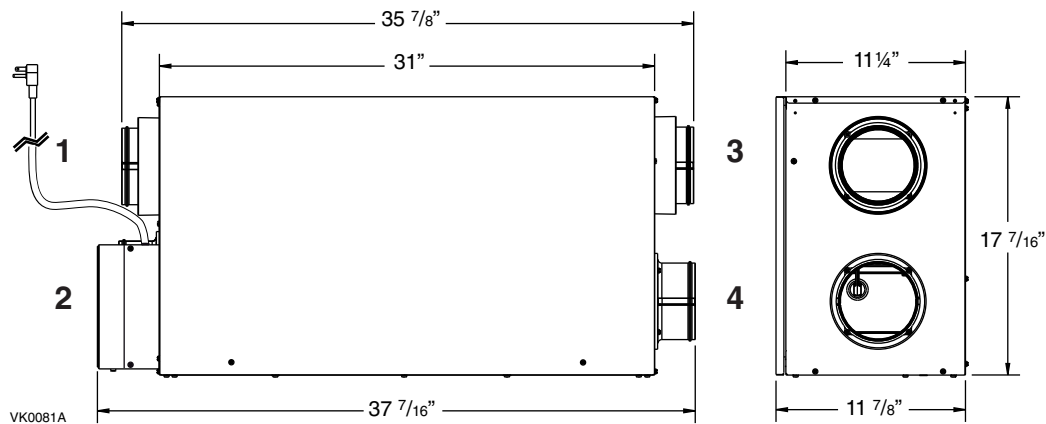
**Heat Recovery Core**

Dimensions: 10 in. x 10 in. x 10 in. (25.4 cm x 25.4 cm x 25.4 cm)  
 Exchange surface: 67 sq. ft. (6.23 m<sup>2</sup>)  
 Weight: 5 lb. (2.3 kg)  
 Material: Polypropylene  
 Type: Cross flow  
 Warranty: Limited lifetime

**Requirements and standards**

- Complies with the UL 1812 requirements regulating the installation of Heat Recovery Ventilators
- Complies with the CSA C22.2 no. 113 Standard applicable to ventilators
- Complies with CSA C444 requirements regulating the installation of Heat Recovery Ventilators
- Technical data was obtained from published results of tests relating to CSA C439 Standards
- HVI certified
- ENERGY STAR® qualified

## DIMENSIONS: VENMAR PRO 301



- 1: EXHAUST AIR TO OUTSIDE PORT  
 2: FRESH AIR TO BUILDING PORT  
 (BEHIND ELECTRICAL COMPARTMENT)

- 3: FRESH AIR FROM OUTSIDE PORT  
 4: EXHAUST AIR FROM BUILDING PORT

NOTE: All units ports were created to be connected to ducts having a minimum of 5" diameter, but if need be, they can be connected to bigger sized ducts by using an appropriate transition (e.g.: 5" diameter to 6" diameter transition).

## VENTILATION PERFORMANCE

EXTERNAL STATIC PRESSURE		NET SUPPLY AIR FLOW			GROSS AIR FLOW					
PA	IN. W.G.	L/S	CFM	M <sup>3</sup> /H	SUPPLY			EXHAUST		
					L/S	CFM	M <sup>3</sup> /H	L/S	CFM	M <sup>3</sup> /H
25	0.1	52	111	187	52	111	187	57	121	206
50	0.2	49	105	178	49	105	178	53	113	192
75	0.3	47	99	168	47	99	168	50	106	168
100	0.4	44	94	160	44	94	160	48	101	172
125	0.5	42	88	150	42	88	150	45	96	163
150	0.6	39	82	139	39	82	139	43	91	155
175	0.7	35	75	127	35	75	127	41	86	146
200	0.8	32	68	116	32	68	116	39	82	139

## ENERGY PERFORMANCE

SUPPLY TEMPERATURE		NET AIR FLOW		POWER CONSUMED	SENSIBLE RECOVERY EFFICIENCY	APPARENT SENSIBLE EFFECTIVENESS	LATENT RECOVERY/MOISTURE TRANSFER
°C	°F	L/s	CFM	WATTS			
HEATING							
0	32	24	51	42	65	76	0.01
0	32	30	64	52	61	70	0.01
-25	-13	23	48	42	60	78	0.02
-25	-13	30	64	53	55	72	0.02

NOTE: All specifications are subject to change without notice.

## SPECIFICATIONS

- Model: PRO 301
- Part number: PRO301
- Total assembled weight (including polypropylene core): 43.5 lb. (19.7 kg)
- Round 5" ports
- Drain: 1/2" (1.2 cm) fittings with 10 ft. (3 m) PVC drain hose
- Core filters: 2 washable  
9 3/8" x 10" x 1/2"  
(23.8 cm x 25.4 cm x 1.3 cm)
- Housing: Pre-painted steel
- Insulation: Expanded polystyrene
- Installation: Suspension by chains and spring
- Supply and Exhaust Blower Motor: 1 motor
  - Protection type: Thermally protected
  - Insulation class: B
- Lite-Touch PRO control included:
  - minimum and maximum speeds
  - intermittent mode
- Choice of 3 defrost modes
- Heat recovery core:
  - Exchange surface: 67 sq. ft. (6.23 m<sup>2</sup>)
  - Type/Material : Crossflow/Polypropylene
- Unit Electrical Characteristics:
 

Volts	Frequency	Ampere	Watts
120	60 Hz	0.6	68

Project:	REMARKS
Location:	
Part number: PRO301	
Quantity:	
Submitted by:	Date:



Residential Products Group, 550 Lemire Blvd., Drummondville, Qc, Canada J2C 7W9 - Tel.: 1-800-567-3855 Fax: 1-800-567-1715



www.venmar.ca

PRO301d151214