



Venmar K7 ERV

Part no. 44162

35 to 70 CFM (0.4 in. w.g.)



THE K7 ERV: ENERGY RECOVERY IN A SMALL PACKAGE!

The K7 ERV is the ideal choice for condominiums, apartments and other limited space applications that require up to 70 cfm of continuous ventilation. With its compact size and 4-inch vertical ports, it can be installed in small spaces such as a closet or mechanical room above a hot water tank.

The K7 ERV has just one blower (patent pending) and is therefore quieter than any other similar ERV on the market. ERV technology is a great choice for summer ventilation with air conditioning in humid climates, and for dry homes in colder climates. Read more about ERV and HRV technology at www.venmar.ca.

- At just 34 lb. (15.2 kg), it can be installed without opening the unit
- Features pressure taps, balancing dampers, integrated hooks and port straps to simplify installation
- Removable terminal block for quicker wall control connections

REPAIRS AND MAINTENANCE

All parts of the K7 ERV that could need maintenance can be removed in less than five minutes, allowing direct access for easy repairs. The PSC motor is permanently lubricated.

WARRANTY

The K7 ERV is protected by a 5-year warranty on parts only. The energy recovery core is covered by a 5-year warranty, with the original proof of purchase.

Available at:

ENERGY RECOVERY VENTILATOR

Controls

- This unit is very simple to operate. Once it is installed, press on its push button, located on the unit top left side, to select high speed, low speed or to stop it (the blower is off but will turn on in response to a wall control signal). The LED (located under the push button) will then show on which mode the unit is in.
- For more convenience, this unit can also be controlled by an optional main control. For a complete list of optional main and auxiliary controls available, refer to the **Wall Control Compatibility Chart** on last pages of wall controls specification sheet, available at www.venmar.ca.
- For more details about controls, refer to the **Main and auxiliary wall controls** user guide, also available at www.venmar.ca.

Options

- Complete line of registers and diffusers
- Electric duct heater
- Exclusive wall mounting bracket no. 19255

Defrosting System

The K7 ERV uses a recirculation defrost method, which maintains balanced air pressure in the home. If there is a call for ventilation from an auxiliary wall control during the defrost cycle, the defrost is put "on hold" while air is exchanged, ensuring that no humid air is recirculated.

OUTSIDE TEMPERATURE		DEFROST CYCLE MIN./ OPERATING MIN.
°C	°F	
WARMER THAN -5	WARMER THAN 23	NO DEFROST
-5 TO -27	23 TO -17	7/22
-27 AND LESS	-17 AND LESS	7/15

Energy Recovery Core

Dimensions: 10" x 10" x 5.5" (25.4 cm x 25.4 cm x 14 cm)
 Exchange surface: 42.3 ft.² (3.9 m²)
 Weight: 8 lb. (3.6 kg)
 Material: Polymerized paper
 Type: Cross flow
 Warranty: 5 years

Requirements and standards

- Complies with the UL 1812 requirements regulating the installation of Energy Recovery Ventilators
- Complies with the CSA C22.2 no. 113 Standard applicable to ventilators
- Complies with CSA F326 requirements regulating the installation of Energy Recovery Ventilators
- Technical data was obtained from published results of tests relating to CSA C439 Standards
- HVI certified

VENTILATION PERFORMANCE

EXTERNAL STATIC PRESSURE		NET SUPPLY AIR FLOW			GROSS AIR FLOW					
PA	IN. W.G.	L/S	CFM	M ³ /H	SUPPLY			EXHAUST		
					L/S	CFM	M ³ /H	L/S	CFM	M ³ /H
25	0.1	39	83	140	40	85	144	39	83	140
50	0.2	37	78	133	38	81	137	37	78	133
75	0.3	35	74	126	36	76	130	35	74	126
100	0.4	33	70	119	34	72	122	34	72	122
125	0.5	32	68	115	33	70	119	32	68	115
150	0.6	29	61	104	30	64	108	29	61	104
175	0.7	28	59	101	28	59	101	27	57	97
200	0.8	26	55	94	26	55	94	24	51	86

ENERGY PERFORMANCE

SUPPLY TEMPERATURE		NET AIR FLOW			POWER CONSUMED WATTS	SENSIBLE RECOVERY EFFICIENCY	ADJUSTED SENSIBLE RECOVERY EFFICIENCY	APPARENT SENSIBLE EFFECTIVENESS*	LATENT RECOVERY/MOISTURE TRANSFER
°C	°F	L/S	CFM	M ³ /H					
HEATING									
0	32	17	36	60	37	66	74	77	0.57
0	32	30	64	109	55	60	65	69	0.47
-25	-13	17	36	60	46	56	60	75	0.55
COOLING									
35	95	17	36	60	36	TOTAL RECOVERY EFFICIENCY 45		ADJUSTED TOTAL RECOVERY EFFICIENCY 51	

*Data not certified by HVI.

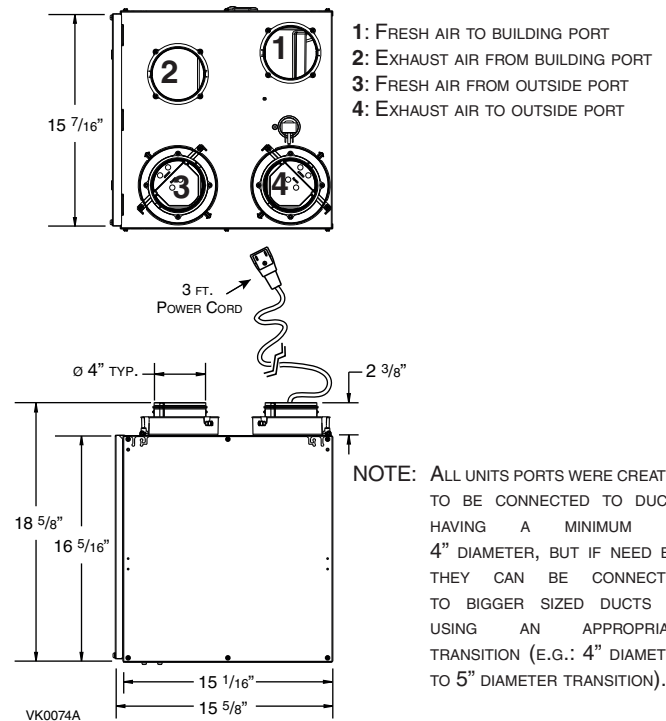
NOTE: All specifications are subject to change without notice.

SPECIFICATIONS

- Model: K7 ERV
- Part Number: 44162
- Total Assembled Weight (including polymerized paper core): 34 lb. (15.2 kg)
- Round 4" ports
- Core Filters: 2 washable foam filters, 30 ppi 9.2" x 5.75" x 0.38" (23.4 cm x 16.6 cm x 1 cm)
- Housing: Pre-painted steel
- Insulation: Expanded polystyrene
- Mounting: Suspension by chains and spring or optional wall bracket
- Supply and Exhaust Blower Motor: 1 motor
 - Protection type: Thermally protected
 - Insulation class: B
- Speed Control on Unit:
 - Low speed and high speed
 - Other modes available with optional wall controls
- Energy Recovery Core:
 - Heat Exchange Surface Area: 42.3 ft.² (3.9 m²)
 - Type: Crossflow
 - Material: Polymerized paper
- Unit Electrical Characteristics:

Volts	Frequency	Ampere	Watts
120	60 Hz	0.5	60

DIMENSIONS: K7 ERV



Project:	REMARKS
Location:	
Part no.:	
Qty.:	
Submitted by: _____ Date: _____	



Venmar Ventilation ULC, 550 Lemire Blvd., Drummondville, Québec, Canada J2C 7W9 venmar.ca 800-567-3855



K7ERVd211116