



VENMAR AVS DUO 1.2

Part no. 43710 Canada/U.S.A.
64 to 117 CFM (0.4 in. w.g.)



VB0089

THE "HEALTH CONSCIOUS" SYSTEM THAT IS RIGHT FOR YOU

Designed to provide clean air all year round, the AVS DUO is particularly intended for customers with health concerns. Airborne bacteria, mites and allergens such as dust, pollen and mold are removed. Combined with an optional filter that can be inserted in the unit, the AVS DUO is the perfect ventilation system that provides a healthier indoor environment. The AVS DUO is also the prime choice to work in combination with an air conditioning unit.

- Reversible unit installation
- Improved standard filter performance
- Unique pan design, easier to clean and maintain
- Integrated balancing dampers and pressure taps
- Polymeric enthalpy wheel: recovers heat and humidity
- No drain
- Exclusive HomeShield™ patented defrost system
- SilentSure™ operation
- PSC motor

REPAIRS AND MAINTENANCE

Venmar AVS DUO modular design makes it possible to remove all mechanical parts in less than 5 minutes. The recovery wheel and its driving mechanism are characterized by their simplicity and ease of maintenance. Resorting to proven technologies, the Venmar development team applied the principle of the belt-driven system used in cars and used a shock and vibration-absorbing axle to prevent wear on the motor.

The low power consumption PSC motor is permanently lubricated. Even better, the entire motor subassembly can be removed in less than a minute for easier maintenance. Finally, the electronic circuit board eliminates electromechanical parts, reducing repair time to a minimum.

WARRANTY

The AVS DUO units are protected by a complete 5-year warranty on all parts, including the energy recovery thermal wheel, with the original proof of purchase.

Available at:

ENERGY RECOVERY VENTILATOR

Controls

- Our main control Altitude no. 40440 allows you to manage your ventilation with a programmable mode. This control also features our fully automated optimizer mode called the Smart mode
- The following main controls are also available:
 - Deco-Touch digital control no. 40395
 - Venta no. 40310
- One or more of the following optional controls can be added:
 - Humidity Control no. 11297
 - 60-minute mechanical timer no. 00910
 - 20/40/60-minute push button no. 03364

Options

- Complete line of registers and diffusers
- Electric duct heater
- Filters:
 - Charcoal no. 03315
 - Pleated no. 03316
 - Electronic no. 03314

Homeshield™ Defrosting System

The AVS DUO uses a unique defrosting method. No negative pressure is created by air exhausted to the outside, as the air is recirculated into the house, helping to prevent any backdraft.

STALE AIR FROM BUILDING	OUTSIDE TEMPERATURE		DEFROST CYCLE DEFROSTING MIN./ OPERATING MIN.
	°C	°F	
WARMER THAN -5	WARMER THAN 23	No DEFROST	
-5 to -15	23 to 5	9/60	
-15 to -27	5 to -19	9/32	
-27 & less	-19 & less	9/20	

Energy Recovery Wheel

Dimensions: 14" ø x 3¾" (35.6 cm ø x 9.5 cm)

Weight: 5.5 lb (2.5 kg)

Material: Polymeric wheel impregnated with desiccant

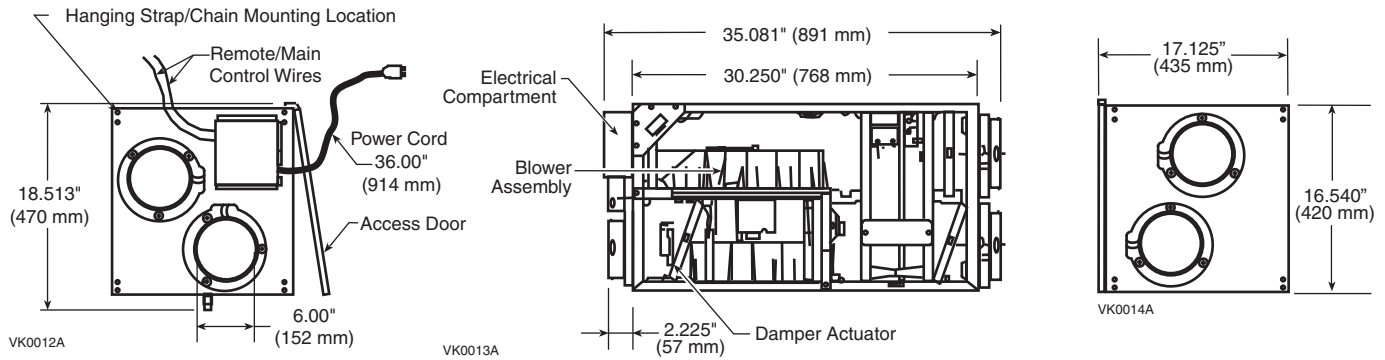
Type: Thermal wheel

Warranty: 5-year warranty

Requirements and Standards

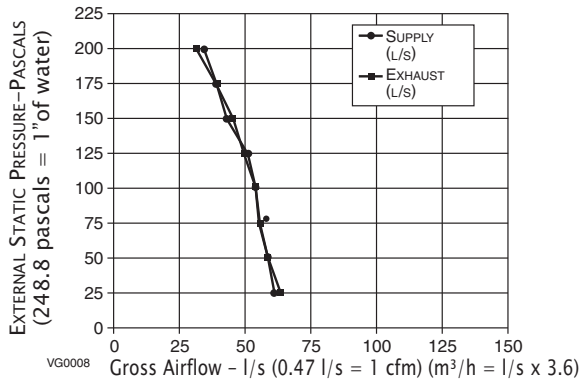
- Complies with the UL 1812 requirements regulating the installation of Energy Recovery Ventilators
- Complies with the CSA C22.2 no. 113 Standard applicable to ventilators
- Complies with the CSA F326 requirements regulating the installation of Energy Recovery Ventilators
- Technical data was obtained from published results of tests relating to CSA C439 Standards
- HVI certified

Dimensions and Service Clearances: Venmar AVS DUO 1.2



Ventilation Performance

EXT. STATIC PRESSURE	NET SUPPLY AIR FLOW	GROSS AIR FLOW								
		SUPPLY			EXHAUST					
PA	IN. W. G.	L/S	CFM	M ³ /H	L/S	CFM	M ³ /H	L/S	CFM	M ³ /H
25	0.1	62	131	223	63	133	233	65	137	230
50	0.2	59	125	212	60	127	216	61	130	220
75	0.3	58	123	209	59	124	209	58	123	209
100	0.4	54	114	194	55	116	198	55	117	198
125	0.5	51	108	184	52	110	187	50	107	180
150	0.6	45	95	162	45	96	162	47	99	169
175	0.7	39	83	140	40	84	140	40	85	144
200	0.8	31	65	112	31	66	112	29	62	104



Energy Performance

SUPPLY TEMPERATURE	NET AIR FLOW	POWER CONSUMED	SENSIBLE RECOVERY	APPARENT SENSIBLE	LATENT/RECOVERY			
						EFFICIENCY	EFFECTIVENESS	MOISTURE TRANSFER
°C	°F	L/S	CFM	M ³ /H	WATTS	EFFICIENCY	EFFECTIVENESS	MOISTURE TRANSFER
HEATING								
0	32	32	68	115	108	77	87	0.61
0	32	56	119	202	156	71	81	0.56
COOLING								
35	95	31	66	112	103	TOTAL RECOVERY EFFICIENCY		
						69		

NOTE: All specifications are subject to change without notice.

Specifications and Ratings

- Model: Venmar AVS DUO 1.2
- Part No.: 43710 Canada/U.S.A.
- Total Assembled Weight (including energy recovery wheel): 71 lb (32.2 kg)
- Supply and Exhaust Air Duct Connections: 6" (15.24 cm) diameter
- Filters: 20 ppi washable reticulated foam 5.375" x 7.125" x 0.75" (39 cm x 18 cm x 1.9 cm)
- Housing: Pre-painted steel
- Insulation: 1" (2.54 cm) aluminum foil faced fiberglass, 0.825" (2.1 cm) expanded polystyrene
- Mounting: Suspension by chains and springs
- Supply & Exhaust Blower Motor: 1 motor
 - Protection type: Thermally protected
 - Insulation class: B
- Fan Speed Control:
 - Low or increased low & high speed
 - Two speeds available for the user
 - Low or increased low speed is selected at the time of installation
- Unit Electrical Characteristics: Canada/U.S.A.

Volts	Frequency	Amperes	Watts
120	60 Hz	1.4	160

PROJECT:	REMARKS
LOCATION:	
MODEL NO.:	
QTY.:	
SUBMITTED BY:	DATE:

