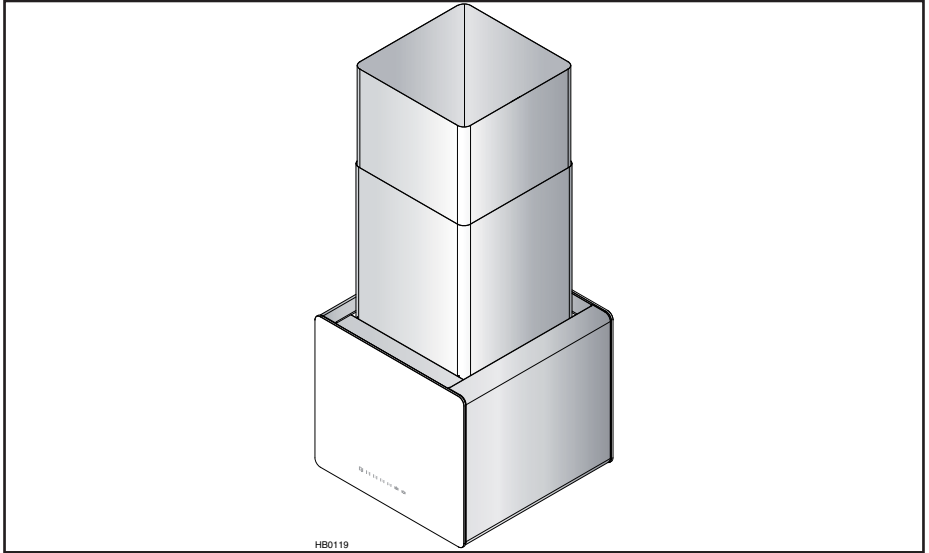


# INSTALLATION INSTRUCTIONS

# Ispira

VENMAR®



## IK700 SERIES

**⚠ INTENDED FOR DOMESTIC COOKING ONLY ⚠**

**READ AND SAVE THESE INSTRUCTIONS**

**INSTALLER: LEAVE THIS MANUAL WITH HOMEOWNER.  
HOMEOWNER: USE AND CARE INFORMATION  
ON PAGES 15 TO 17.**

Venmar Ventilation ULC, 550 Lemire Blvd., Drummondville QC J2C 7W9  
1-800-567-3855

REGISTER YOUR PRODUCT ONLINE AT: [www.bnv.ca](http://www.bnv.ca)

For additional information, visit  
[www.venmar.ca](http://www.venmar.ca)



7 72371 13008 1

21227 rev. 03

## **⚠ WARNING**

### **TO REDUCE THE RISK OF FIRE, ELECTRIC SHOCK OR INJURY TO PERSONS, OBSERVE THE FOLLOWING:**

1. Use this unit only in the manner intended by the manufacturer. If you have questions, contact the manufacturer at the address or telephone number listed in the warranty.
2. Before servicing or cleaning unit, switch power off at service panel and lock service disconnecting means to prevent power from being switched on accidentally. When the service disconnecting means cannot be locked, securely fasten a prominent warning device, such as a tag, to the service panel.
3. Installation work and electrical wiring must be done by qualified personnel in accordance with all applicable codes and standards, including fire-rated construction codes and standards.
4. Sufficient air is needed for proper combustion and exhausting of gases through the flue (chimney) of fuel burning equipment to prevent backdrafting. Follow the heating equipment manufacturer's guidelines and safety standards such as those published by the National Fire Protection Association (NFPA) and the American Society for Heating, Refrigeration and Air Conditioning Engineers (ASHRAE) and the local code authorities.
5. When cutting or drilling into wall or ceiling, do not damage electrical wiring and other hidden utilities.
6. Ducted fans must always be vented to the outdoors.
7. Do not use this unit with any additional solid-state speed control device.
8. To reduce the risk of fire, use only metal ductwork.
9. This unit must be grounded.
10. All tempered glass can experience spontaneous breakage. If broken, tempered glass falls out of its opening in interlocking clumps. Tempered glass can, on occasion, break into large shards rather than the classic tiny piece pattern.
11. When applicable local regulations comprise more restrictive installation and/or certification requirements, the aforementioned requirements prevail on those of this document and the installer agrees to conform to these at his own expenses.

### **TO REDUCE THE RISK OF A RANGE TOP GREASE FIRE:**

- a) Never leave surface units unattended at high settings. Boilovers cause smoking and greasy spillovers that may ignite. Heat oils slowly on low or medium settings.
- b) Always turn hood ON when cooking at high heat or when flambéing food (i.e.: Crêpes Suzette, Cherries Jubilee, Peppercorn Beef Flambé).
- c) Clean ventilating fan frequently. Grease should not be allowed to accumulate on fan, filters or in exhaust ducts.
- d) Use proper pan size. Always use cookware appropriate for the size of the surface element.

## **⚠ WARNING**

### **TO REDUCE THE RISK OF INJURY TO PERSONS IN THE EVENT OF A RANGE TOP GREASE FIRE, OBSERVE THE FOLLOWING\*:**

1. SMOTHER FLAMES with a close-fitting lid, cookie sheet or metal tray, then turn off the burner. BE CAREFUL TO PREVENT BURNS. IF THE FLAMES DO NOT GO OUT IMMEDIATELY, EVACUATE AND CALL THE FIRE DEPARTMENT.
2. NEVER PICK UP A FLAMING PAN — You may be burned.
3. DO NOT USE WATER, including wet dishcloths or towels — This could cause a violent steam explosion.
4. Use an extinguisher ONLY if:
  - A. You own a Class ABC extinguisher and you know how to operate it.
  - B. The fire is small and contained in the area where it started.
  - C. The fire department has been called.
  - D. You can fight the fire with your back to an exit.

\*Based on "Kitchen Fire Safety Tips" published by NFPA.

## **CAUTION**

1. For indoor use only.
2. For general ventilating use only. Do not use to exhaust hazardous or explosive materials and vapors.
3. To avoid motor bearing damage and noisy and/or unbalanced impellers, keep drywall spray, construction dust, etc. off power unit.
4. Your hood motor has a thermal overload which will automatically shut off the motor if it becomes overheated. The motor will restart when it cools down. If the motor continues to shut off and restart, have the hood serviced.
5. The hood distance above cooktop must not be less than 30". A maximum of 36" above cooktop is highly recommended for best capture of cooking impurities.
6. Two installers are recommended due to the weight of this unit and the complexity of the installation.
7. To reduce the risk of fire and to properly exhaust air, be sure to duct air outside — Do not exhaust air into spaces within walls or ceiling or into attics, crawl space or garage.
8. Because of the high exhausting capacity of this unit, you should make sure enough air is entering the house to replace exhausted air by opening a window close to or in the kitchen.
9. To reduce the risk of fire and electrical shock, the Venmar Ispira IK700 series models should only be installed with their own built-in blower.
10. Please read specification label on product for further information and requirements.
11. This hood is equipped with an RF receiver. See next page for related warning.

**⚠ WARNING**

This hood is equipped with an RF receiver (optional remote control sold separately). Changes or modifications not expressly approved by the party responsible for compliance could void the user’s authority to operate this product. The remote control has been tested and found to comply with the limits for a Class B digital device, pursuant to part 15 of the FCC Rules and the Canadian ICES-003. These limits are designed to provide reasonable protection against harmful interference in a residential installation. The remote control generates, uses and can radiate radio frequency energy and, if not installed and used in accordance with the instructions, may cause harmful interference to radio communications. However, there is no guarantee that interference will not occur in a particular installation. If this equipment does cause harmful interference to radio or television reception, which can be determined by turning the equipment off and on, the user is encouraged to try to correct the interference by one or more of the following measures:

- Reorient or relocate the receiving antenna
- Increase the separation between the equipment and receiver
- Connect the equipment into an outlet on a circuit different from that to which the receiver is connected.

**TABLE OF CONTENTS**

---

1. INSTALL DUCTWORK .....	4
2. PREPARE THE INSTALLATION .....	5
3. PREPARE HOOD .....	6
4. MEASURE INSTALLATION .....	7
5. INSTALL MOUNTING BRACKET .....	8-9
6. ASSEMBLE ANGLE BRACKETS.....	10-11
7. CONNECT WIRING .....	11-12
8. INSTALL GLASS PANELS.....	13
9. INSTALL HOOD .....	13-14
10. REINSTALL HYBRID FILTERS .....	15
11. LED LIGHTING .....	15
12. CARE .....	15-16
13. OPERATION.....	16-17
14. WIRING DIAGRAM.....	18
15. SERVICE PARTS .....	19
16. WARRANTY .....	20

# 1. INSTALL DUCTWORK

Plan where and how the ductwork will be installed.

A straight, short duct run will allow the hood to perform most efficiently.

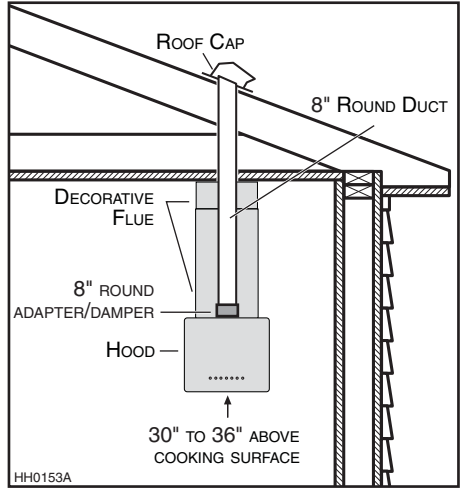
Install proper-sized ductwork, elbows and roof cap. Connect metal ductwork to cap and work back towards the hood location. Use 2" metal foil duct tape to seal the joints.

Run 3-wire power supply cable to installation location.

**We recommend to install the hood at a minimum distance of 30" above cooking surface. A maximum of 36" above cooktop is highly recommended for best capture of cooking impurities.**

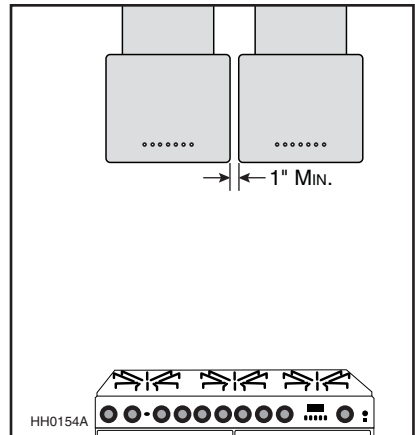
Distances over 36" are at the installer and users discretion.

10-ft. ceilings require 10-ft flue extension, part no. 19325 (sold separately).



## Installation over a gas range:

Refer to gas range manufacturer's guidelines for the recommended CFM. If two IK700 Series range hoods are required, the space between both hoods should not be less than 1".



## 2. PREPARE THE INSTALLATION

---

### WARNING

**When performing installation, servicing or cleaning the unit, it is recommended to wear safety glasses and gloves.**

NOTE: Before proceeding to the installation, check the contents of the box. If items are missing or damaged, contact the manufacturer.

Make sure that the following items are included:

- Hood

- Accessories

- Decorative flue assembly (lower and upper flues)
- 2 Hybrid filters
- 1 Ceiling mounting bracket
- 8 Angle brackets
- 8" Adapter/Damper (in a separate box)
- Installation manual
- Bag of parts including: 2 wire connectors, 1 wire clamp, 8 no. 10 x 1½" wood screws, 8 washers, 2 no. 8 x 1/2" quadrex screws, 10 no. 8 x 3/8" quadrex screws, 17 no. 10-32 locknuts, 50 no. 10-32 x 1/2" quadrex screws

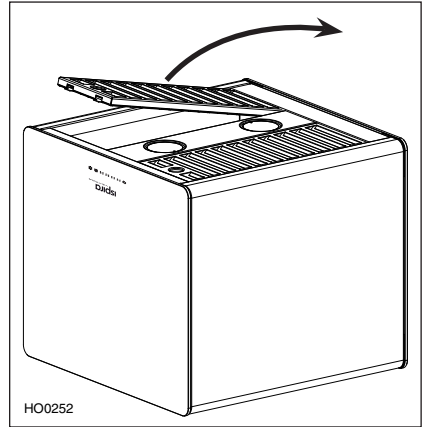
Parts sold separately:

- Ducts, elbows, wall and roof caps.
- Optional flue extension for 10-ft. ceilings model no. 19325.
- Optionnal remote control (model no. 21233).
- Glass panels for IK70016WG model (see service parts list).

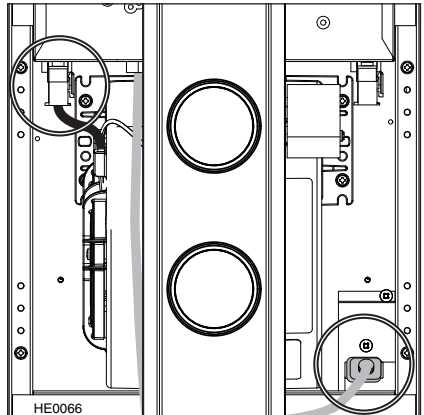
NOTE: During installation, protect countertop and/or cooktop.

### 3. PREPARE HOOD

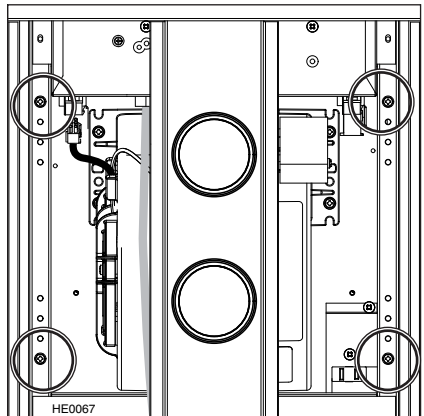
1. Rest the range hood on a table. Use a piece of cardboard to avoid damaging the table or the hood. Remove tape on filters. Remove filters by pushing them towards the back of the hood (opposite to control side) and flipping them up, then set filters aside.



2. Disconnect power cord from electrical box and disconnect blower.



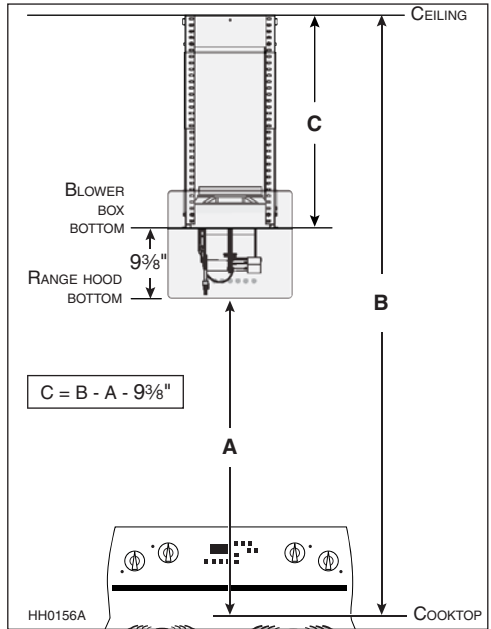
3. Remove the 4 screws retaining the blower box. Lift hood and set aside with screws.



## 4. MEASURE INSTALLATION

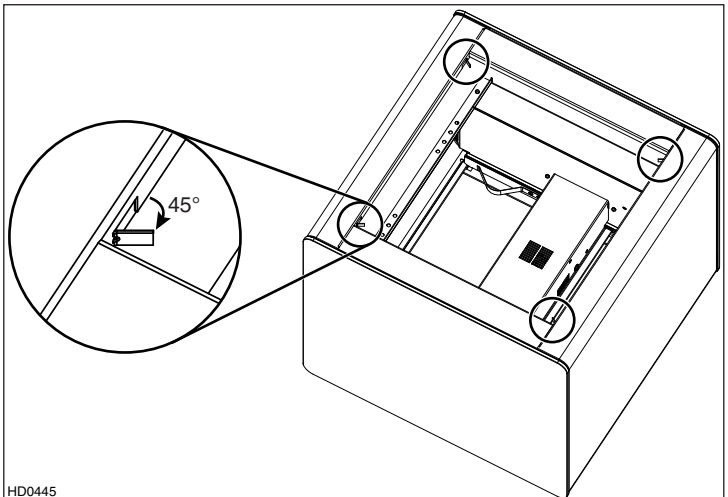
Determine angle brackets length needed based upon ceiling height (**B**) and desired height of hood above cooktop (**A**).

The table below indicates which flue(s) to use and the number of brackets required according to height (**C**).



C		REQUIRED COMPONENTS				
FROM	TO	BRACKETS	UPPER FLUE	LOWER FLUE	OPTIONAL FLUE EXTENSION	BEND TABS
14 <sup>3</sup> / <sub>4</sub> "	18 <sup>3</sup> / <sub>4</sub> "	4	x			
19 <sup>1</sup> / <sub>2</sub> "	28 <sup>1</sup> / <sub>4</sub> "	8	x	x		
28 <sup>3</sup> / <sub>4</sub> "	33"	8	x	x		x*
33 <sup>1</sup> / <sub>2</sub> "	40"	12		x	x	
40 <sup>3</sup> / <sub>4</sub> "	44 <sup>3</sup> / <sub>4</sub> "	12		x	x	x*

\* If required, bend the 4 tabs located in the corners of the top of the hood to a 45° angle using a straight blade screwdriver (as shown at right).



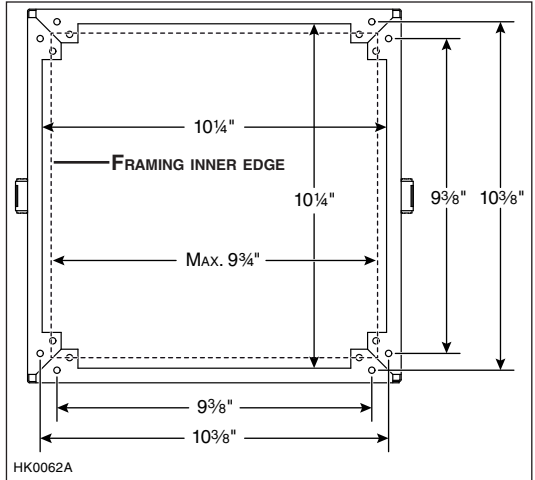
HD0445

## 5. INSTALL MOUNTING BRACKET

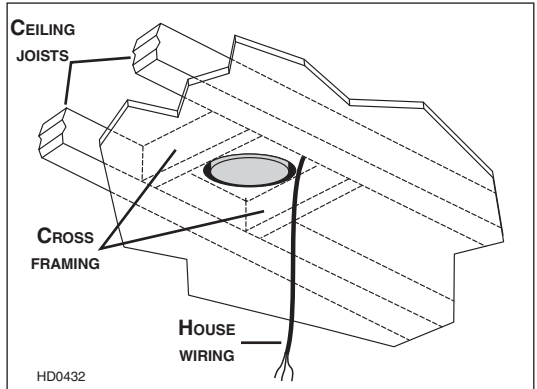
### WARNING

When building framework, always follow all applicable construction codes and standards.

1. Modify ceiling structure over hood location. Install 2" x 4" cross framing between ceiling joists using ceiling mounting bracket dimensions shown at right. The framework must be sized to support the total weight of the hood and should not be larger than 9 $\frac{3}{4}$ " x 9 $\frac{3}{4}$ ".



2. Finish ceiling surface, making sure the ceiling is level in all direction. Be sure to mark the location of the ceiling joists and cross framing. Bring house wiring through finished ceiling.



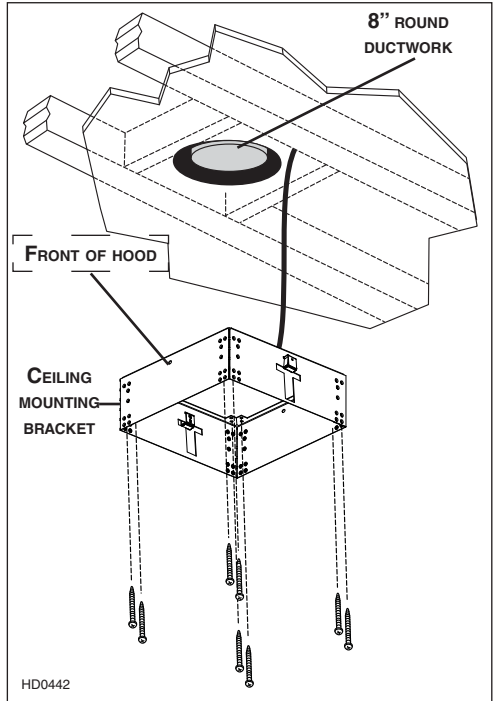


## 5. INSTALL MOUNTING BRACKET (CONT'D)

3. Remove both screws retaining the ceiling mounting bracket to the top of the hood. Discard screws.

**Position the mounting plate in such a way that one of the sides without a "T" will be facing the front of the hood.**

Secure mounting bracket to the ceiling using 8 no. 10 x 1½" wood screws (2 on each corner). Make sure screws are driven into the center of the framing for maximum strength.



## 6. ASSEMBLE ANGLE BRACKETS

1. Assemble 4 angle brackets to the ceiling mounting bracket using at least two no. 10-32 x 1/2" quadrex screws per angle bracket.

NOTES: 1. Do not tighten the screws yet.

2. Depending on the height needed (C) (previously determined in section 4), the angle brackets might not touch the ceiling as illustrated at right.

2. If required according to table in section 4, assemble a second set of 4 angle brackets to the inner side of the upper angle bracket set according to the height needed (C). Use at least two no. 10-32 x 1/2" quadrex screws and two no. 10-32 lock nuts per angle bracket connection.

NOTE: Do not tighten the screws yet.

### FOR 10-FT CEILINGS:

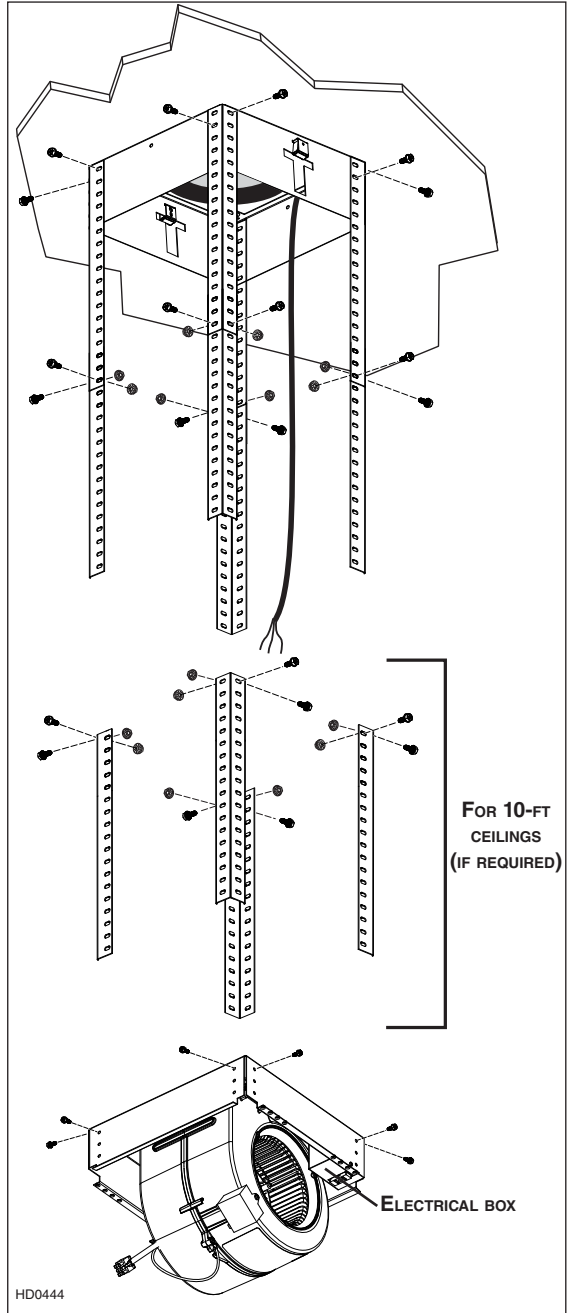
Both lower and upper flues are included with the hood, but for a 10-ft ceiling, discard the provided upper flue and use the optional extension flue, part no. 19325 (sold separately). Four additional angle brackets and additional mounting hardware are included with the optional extension flue. If required according to table in section 4, assemble a third set of 4 angle brackets to the second angle bracket set according to the height needed (C). Use at least two no. 10-32 x 1/2" quadrex screws and two no. 10-32 lock nuts per angle bracket.

NOTE: Do not tighten the screws yet.

3. Attach blower box assembly to lower angle brackets using at least two no. 10-32 x 1/2" quadrex screws per angle bracket.

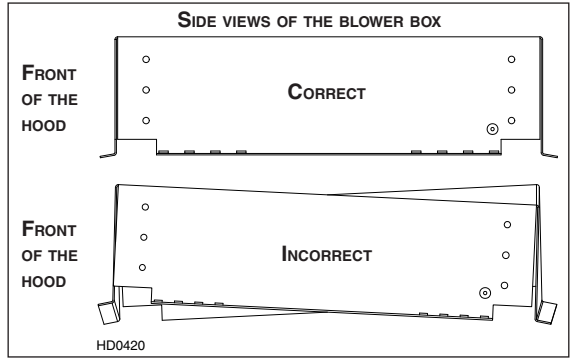
NOTES: 1. Make sure the blower box bottom is at the desired height (C) as previously determined in section 4.

2. Ensure electrical box is positioned in the back right corner.



## 6. ASSEMBLE ANGLE BRACKETS (CONT'D)

4. Make sure all brackets are straight and blower box is level and square (as shown at right), then tighten all screws.

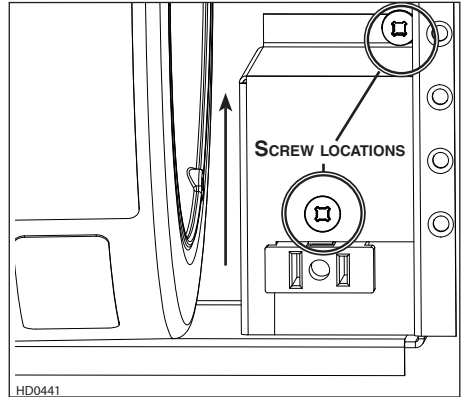


## 7. CONNECT WIRING

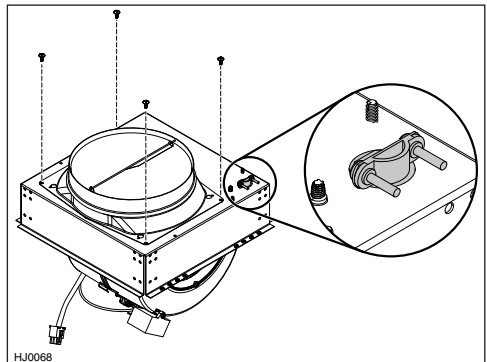
### **⚠ WARNING**

**Risk of electric shock. Electrical wiring must be done by qualified personnel in accordance with all applicable codes and standards. Before connecting wires, switch power off at service panel and lock service disconnecting means to prevent power to be switched on accidentally.**

1. Remove both screws retaining the electrical box cover. Remove the latter by sliding it in the direction indicated by the arrow. Set cover and screws aside.

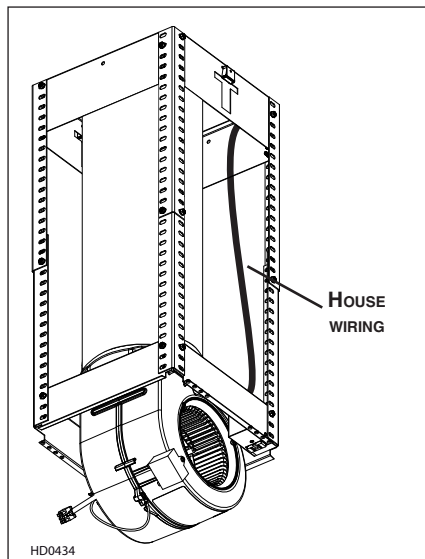


2. Install wire clamp (included) on top of blower box. Attach the adapter/damper to the blower box using 4 no. 8 x 3/8" quadrex screws (included). Remove tape on damper. (Angle brackets not illustrated to ease understanding).

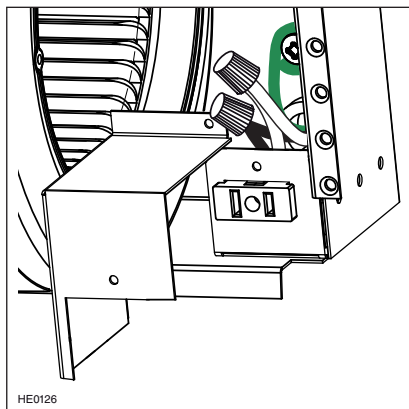


## 7. CONNECT WIRING (CONT'D)

3. Run house wiring through wire clamp and into blower box electrical box. Tighten wire clamp to secure house wiring cable to blower box.
4. Measure the required length of 8" round metal duct from the adapter/damper to the ductwork rough-in in the ceiling. Connect this section of duct to the adapter/damper, then connect to ceiling duct and seal both joints with metal foil duct tape.



5. Connect hood power cable to house wiring using provided wire connectors: BLACK to BLACK, WHITE to WHITE and GREEN or BARE wire to GREEN ground screw. **DO NOT FORGET TO CONNECT THE GROUND.**
6. Reinstall electrical box cover using both screws previously removed.



## 8. INSTALL GLASS PANELS (WG MODEL ONLY)

The WG hood model glass panels are sold separately and have to be installed before completing the hood installation.

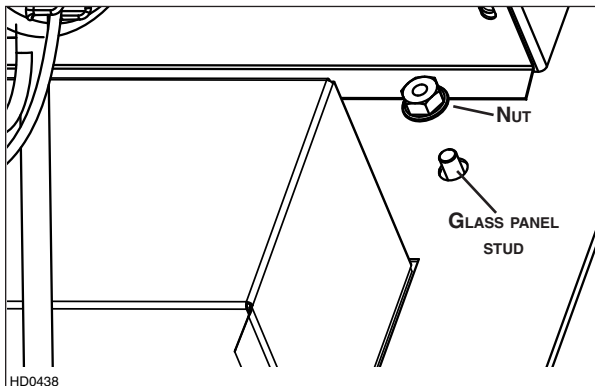
For each glass panel:

1. Carefully remove glass panel from its packaging.  
Remove glass panel nuts (factory installed) from both studs and set aside.

2. Insert glass panel studs in appropriate hood holes (some parts not illustrated to ease understanding).

NOTE: Install the glass panel with the control pictograms on the front of the hood.

3. While holding glass panel, pre-tighten previously removed nuts by hand. Ensure glass panel is centered. Then, using a 3/8" socket, tighten nuts completely.



## 9. INSTALL HOOD

### ⚠ WARNING

**BE CAREFUL** when installing the decorative flue and hood, they may have sharp edges.

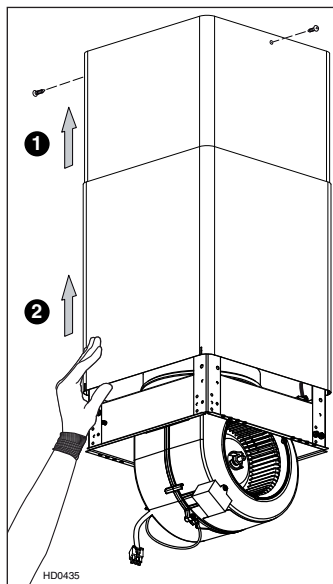
### CAUTION

**DO NOT REMOVE** the protective plastic film covering the decorative flue (upper and lower) and the hood yet.

1. Slide the upper flue up to the ceiling and secure it to the ceiling mounting bracket using 2 no. 8 x 1/2" quadrex screws.

NOTE: Ensure upper and lower flue seams are aligned ①.

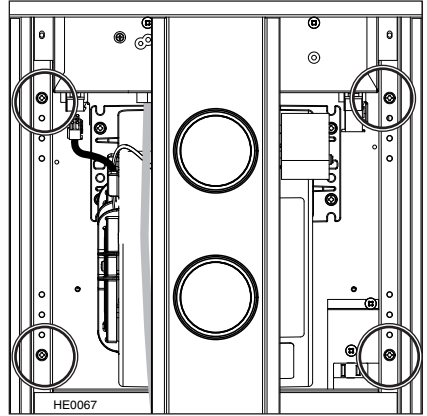
Carefully slide the lower flue over the upper flue up to the ceiling and have the second person hold it up ② while performing step 2.



## 9. INSTALL HOOD (CONT'D)

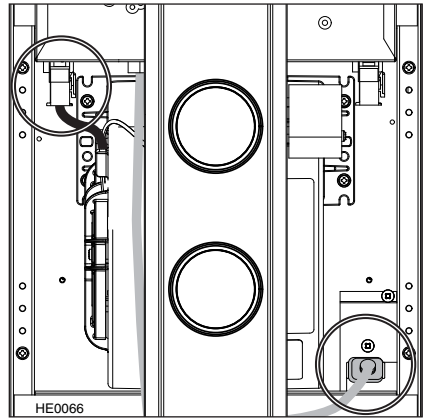
- Slide hood over blower box and attach to blower box using the 4 screws previously removed in step 3.3 (some parts not illustrated to ease understanding).

NOTE: For more convenience, a total of 16 holes (4 holes per section) are available to secure the hood, but only 1 screw per section is necessary.



- Slide the lower flue down on top of the hood. Remove protective plastic film from flues.

- Connect blower and power cord back.

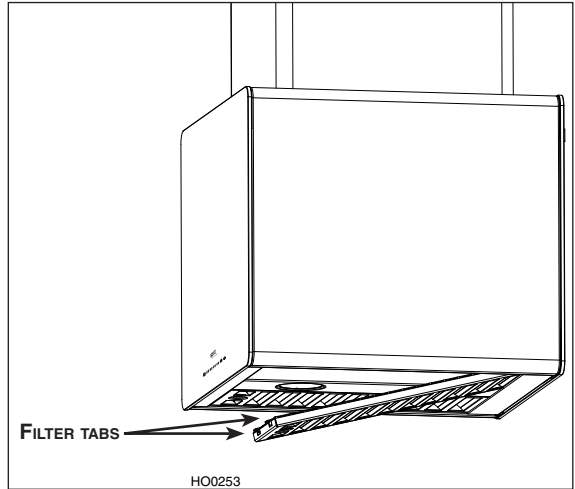


## 10. REINSTALL HYBRID FILTERS

### CAUTION

Remove protective plastic film covering filters before reinstalling them.

Rest rear filters edge on filter springs in the range hood. Tilt up the filters into position. Make sure filter tabs are securely engaged in range hood front edge slots after installation.



## 11. LED LIGHTING

The lighting of this hood is produced by two LED modules (included).

### ⚠ WARNING

Do not touch lamps during or soon after operation. Burns may occur. Cannot be replaced by any other type of light bulb or LED module.

## 12. CARE

### ⚠ WARNING

Before servicing or cleaning the unit, switch power off at service panel and lock service panel to prevent power from being switched on accidentally. When the service disconnecting means cannot be locked, securely fasten a prominent warning device, such as a tag, to the service panel.

#### HYBRID FILTERS

Hybrid filters should be cleaned monthly. Remove hybrid filters by pushing them towards the back of the hood and rotating them downward. Use a warm detergent solution to clean the filters. Let them dry and reinstall them. Hybrid filters are dishwasher safe. Clean all-metal filters in the dishwasher using a non-phosphate detergent. Discoloration of the filter may occur if using phosphate detergent or as a result of local water conditions — but this will not affect filter performance. This discoloration is not covered by the warranty.

#### INTERIOR BLOWER

Remove the filters in order to access the blower. Vacuum blower to clean. Do not immerse in water.

## 12. CARE (CONT'D)

### STAINLESS STEEL

<b>Do:</b> <ul style="list-style-type: none"><li>• Regularly wash with clean cloth or rag soaked with warm water and mild soap or liquid dish detergent.</li><li>• Always clean in the direction of original polish lines.</li><li>• Always rinse well with clear water (2 or 3 times) after cleaning. Wipe dry completely.</li><li>• You may also use a specialized household stainless steel cleaner.</li></ul>	<b>Don't:</b> <ul style="list-style-type: none"><li>• Use any steel or stainless steel wool or any other scrapers to remove stubborn dirt.</li><li>• Use any harsh or abrasive cleansers.</li><li>• Allow dirt to accumulate.</li><li>• Let plaster dust or any other construction residues reach the hood. During construction/renovation, cover the hood to make sure no dust sticks to stainless steel surfaces.</li></ul>
---	---

### GLASS PANEL

Hot water with mild soap or glass cleaner is all that is usually needed.

When using mild soap, rinse with clear water. Wipe dry with a clean, soft cloth to avoid water marks.

#### Avoid when choosing a detergent:

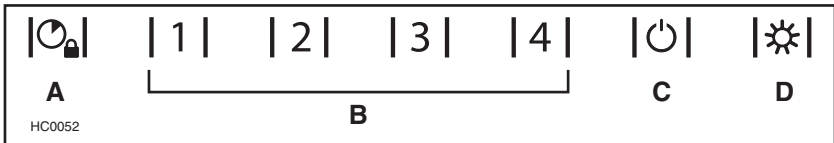
- Any cleaners that contain **bleach**. They will attack stainless steel.
- Any products containing **chloride, fluoride, iodide, bromide**. They will deteriorate surfaces rapidly.
- Any combustible products used for cleaning such as **acetone, alcohol, ether, benzol**, etc. They are highly explosive and should never be used close to a range.

## 13. OPERATION

Always turn your hood on before you begin cooking to establish an air flow in the kitchen. Let the blower run for a few minutes to clear the air after you turn off the range.

### CAUTION

After a power failure or during the range hood power up, a 5-second booting sequence is executed. Wait for the control backlighting to turn off before use.



#### A. DELAY BUTTON/CONTROL LOCK (DOUBLE FUNCTION BUTTON):

- i. When a blower speed is selected, press this button to activate the delay function. The delay button will light to its high intensity, then to its mid intensity to indicate this function is activated; the selected blower speed button will alternate every 2 seconds between its high intensity and its mid intensity. The blower will continue to operate for 5 minutes and will stop automatically. Selecting an other speed while the delay function is activated will not deactivate the function or reset the timer. To cancel the delay function, press the delay button once again, or press the selected speed button which will also turn the blower off.



## 13. OPERATION (CONT'D)

---

### **A. DELAY BUTTON/CONTROL LOCK (DOUBLE FUNCTION BUTTON) (CONT'D):**

- ii. When the blower is off, it is possible to lock the control interface in order to clean the glass panel.

To lock the control interface: Press and hold this button for 2 seconds. The button will light to its high intensity and flash three times, it will then stay on its mid intensity to indicate that the control interface is locked.

To unlock the control interface: Press and hold this button for 2 seconds. The button will light to its high intensity and flash 3 times, it will then fade out to its low intensity to indicate that the control interface is unlocked.

### **B. SPEED SELECTION BUTTONS:**

Press the button corresponding to the desired blower speed (from **1** for low speed to **4** for high speed). The chosen speed button will light to its high intensity then fade to its mid intensity. To turn off the blower, press once more on the corresponding blower speed button; the button light will fade to its low intensity.

**NOTE:** When blower is off, pressing on blower speed **1** button will cause the blower to start on second speed for a very short lapse of time, and then resume to speed **1**.

### **C. MASTER ON/OFF:**

When the blower and lights are off, press this button to turn the hood on to the last memorized speed level and light intensity. If there are no memorized speed level and light intensity, speed will be set at level **1** and light intensity at **3**. To turn off the blower and the light simultaneously, press this button once.

**HEAT SENTRY™:** The hood is equipped with a HEAT SENTRY thermostat. If blower is ON at a lower speed setting and excessive heat is detected above the cooking surface, it turns the blower up to third speed. When the temperature level drops to normal, the blower will return to its original setting.

**NOTE:** When Heat Sentry is activated, the "DELAY OFF" function is inactivated.

### **WARNING**

**The Heat Sentry can change the blower speed when excessive heat is detected above the cooking surface. If this situation occurs and you must stop the blower, press on the third speed button or on the master ON/OFF button.**

### **D. LIGHT BUTTON/BACKLIGHTING COLOR (DOUBLE FUNCTION BUTTON):**

- i. This button allows three different lighting levels according to your needs. Press once for full intensity, twice for intensity level **2**, and once more for nightlight. To turn off the lights, press once more.

If desired, when the lights are on, press and maintain the light button for 1 second; lights will be turned off.

**NOTE:** When only the lights are ON to any intensity and no interaction with the hood is detected for a 10-second period, the 7 buttons backlighting will fade to its low intensity, acting as a night light feature.

- ii. When lights are off, pressing and holding this button for 1 seconds will switch the backlighting color from white to blue or from blue to white (default backlighting color is white) and memorize it. The button will flash three times to indicate that the color change has been made.

**NOTE:** Due to the particular sensitivity of the control interface, keep the glass panel clean as dirt and condensation may cause erratic operation of the hood blower and/or lighting. If this situation occurs, wipe the glass panel and wait 90 seconds. Then, adjust the blower and/or lighting at your convenience.

### **REMOTE CONTROL:**

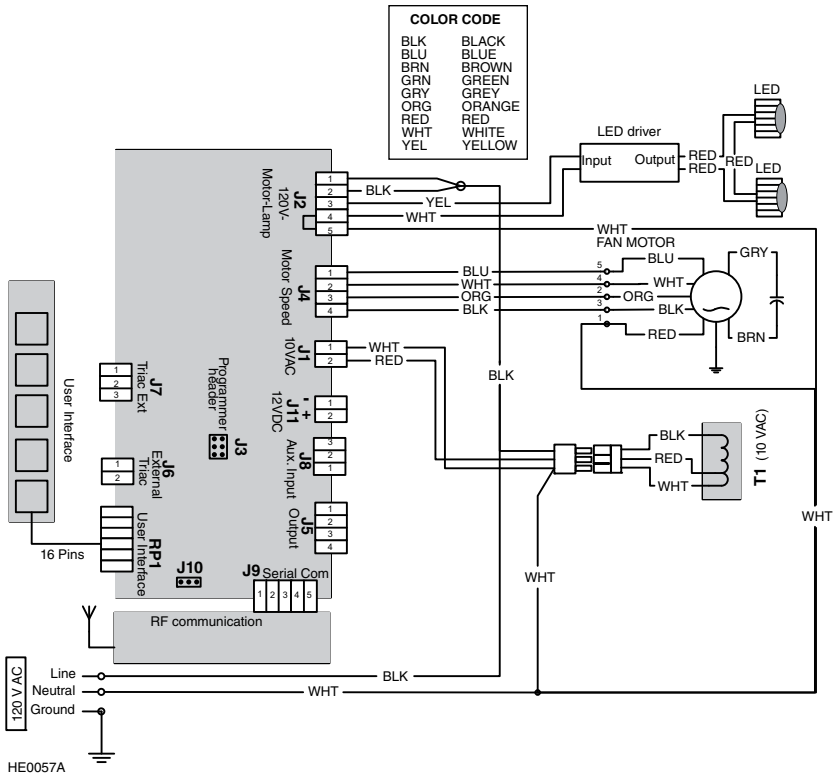
This hood can also be operated using the optional 21233 remote control (purchase separately).

**NOTE:** For more information, refer to the instructions included with the remote control.

# 14. WIRING DIAGRAM

## ⚠ WARNING

Risk of electric shock. Electrical wiring must be done by qualified personnel in accordance with all applicable codes and standards. Before connecting wires, switch power off at service panel and lock service disconnecting means to prevent power from being switched on accidentally.



### REPLACEMENT PARTS AND REPAIRS

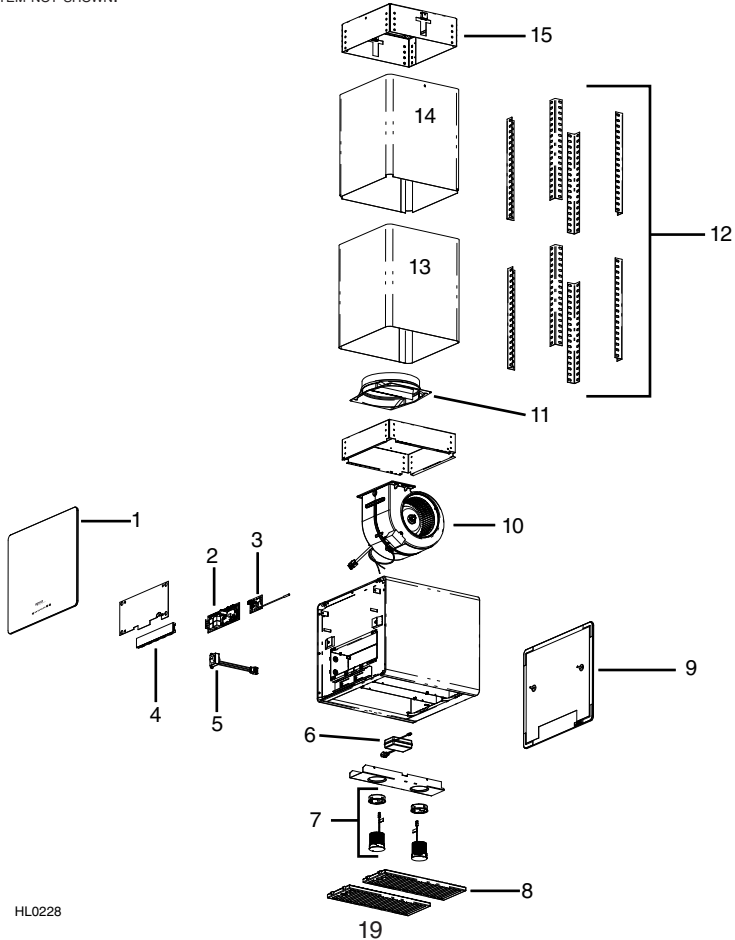
In order to ensure your unit remains in good working condition, you must use Venmar Ventilation ULC genuine replacement parts only. Venmar Ventilation ULC genuine replacement parts are specially designed for each unit and are manufactured to comply with all the applicable certification standards and maintain a high standard of safety. Any third party replacement part used may cause serious damage and drastically reduce the performance level of your unit, which will result in premature failing. Venmar Ventilation ULC recommends to contact a certified service depot for all replacement parts and repairs.

# 15. SERVICE PARTS

KEY NO.	PART NO.	DESCRIPTION	QTY.
1	SV09958XX*	FRONT GLASS PANEL	1
2	21221	POWER UNIT	1
3	SV20816	PCB FOR REMOTE CONTROL	1
4	22427	ELECTRONIC CONTROL	1
5	09022	T TRANSFORMER	1
6	62248	LED DRIVER AND CONNECTION HARNESS	1
7	62612	LED MODULE (1)	2
8	62240	HYBRID FILTER 13.38" x 5.15" x 0.5" (1)	2
9	SV09959XX*	BACK GLASS PANEL	1
10	SV08582	INTERNAL BLOWER	1
11	08543	8" ROUND ADAPTER/DAMPER	1
12	19253	ANGLE BRACKET	8
13	SV19239	LOWER FLUE COVER	1
14	SV19240	UPPER FLUE COVER	1
15	19232	INSTALLATION BRACKET	1
**	21227	INSTALLATION MANUAL	1
**	09871	PARTS BAG	1

\*PART NUMBER ACCORDING TO GLASS PANEL COLOR, PLEASE CONTACT CUSTOMER SERVICE OR REFER TO WEB SITE.

\*\*ITEM NOT SHOWN.



## 16. WARRANTY

### VENMAR VENTILATION FIVE-YEAR WARRANTY

Venmar Ventilation ULC warrants to the original consumer purchaser of the Venmar Ispira IK700 Series range hood that such product will be free from defects in materials or workmanship for a period of five (5) years from date of original purchase, except the LED modules and LED driver, which are covered for a period of three (3) years. This warranty includes in-home service for the first year and workshop service for the four (4) remaining years.

THERE ARE NO OTHER WARRANTIES, EXPRESS OR IMPLIED, INCLUDING, BUT NOT LIMITED TO, IMPLIED WARRANTIES OF MERCHANTABILITY OR FITNESS FOR A PARTICULAR PURPOSE. VENMAR VENTILATION ULC WILL NOT BE HELD RESPONSIBLE FOR ANY CLAIMS OVER THE ORIGINAL PURCHASE PRICE OF A VENMAR ISPIRA IK700 SERIES RANGE HOOD NOR HELD RESPONSIBLE FOR SUBSEQUENT DAMAGE OR INCIDENT.

During the period stated above, Venmar Ventilation ULC will, at its option, repair or replace without charge any product or part which is found to be defective under normal use and service. THIS WARRANTY DOES NOT EXTEND TO FUSE, FILTERS, DUCTS, ROOF CAPS, WALL CAPS AND OTHER ACCESSORIES FOR DUCTING.

This warranty does not cover a) normal maintenance and service b) any products or parts which have been subject to misuse, negligence, accident, improper maintenance or repairs made by other than Venmar Ventilation ULC, or c) a faulty installation or installation contrary to recommended installation instructions.

Warranty service is to be completed by an authorized Service Center designated by Venmar Ventilation ULC. Where applicable, in-home service will be made available only in areas where a contracted service provider offers service. If in-home service is not available, the product will be repaired or replaced, at Venmar Ventilation ULC's discretion, by the nearest authorized service provider. The unit removal and reinstallation works are under the customer responsibility, and Venmar Ventilation ULC cannot be charged for them.

The duration of any implied warranty is limited to the 5-year period as specified for the express warranty. Some provinces do not allow limitation on how long an implied warranty lasts, so the above limitation may not apply to you.

VENMAR VENTILATION ULC'S OBLIGATION TO REPAIR OR REPLACE AT VENMAR VENTILATION ULC'S OPTION, SHALL BE THE PURCHASER'S SOLE AND EXCLUSIVE REMEDY UNDER THIS WARRANTY. VENMAR VENTILATION ULC SHALL NOT BE LIABLE FOR INCIDENTAL, CONSEQUENTIAL OR SPECIAL DAMAGES ARISING OUT OF OR IN CONNECTION WITH PRODUCT USE OR PERFORMANCE. SOME PROVINCES DO NOT ALLOW THE EXCLUSION OR LIMITATION OF INCIDENTAL OR CONSEQUENTIAL DAMAGES, SO THE ABOVE LIMITATION OR EXCLUSION MAY NOT APPLY TO YOU.

This warranty gives you specific legal rights and you may also have other rights, which vary from province to another. This warranty supersedes all prior warranties.

To contact Venmar Ventilation ULC warranty service, call 1-800-567-3855 in Canada. In order to qualify for a warranty claim, the owner of a Venmar Ispira IK700 Series range hood must have the model and serial number along with a proof of the original purchase date. At the time of requesting service, describe the nature of any defect in the product or part.

Venmar Ventilation ULC, 550 Lemire Blvd., Drummondville, QC J2C 7W9 (1-800-567-3855)

[www.venmar.ca](http://www.venmar.ca)