



C12 ERV

Part no. 41556 (TOP PORTS)

Part no. 41554 (SIDE PORTS)

64 to 120 CFM (0.4 in. w.g.)



VB0227

A VERSATILE AND COMPACT PLATFORM OFFERING EVEN MORE POWER

The C12 ERV is providing 15 cfm more than the Constructo 1.0 ERV making it suitable for larger ventilation needs. It's the only 120-cfm ERV qualifying for ENERGY STAR®, thanks to its unique ERV core reducing the air conditioning and heating loads during summer and winter respectively. Still, it offers the same ease of installation associated to the Constructo 1.0 series.

Its operation can be interlocked with an existing furnace without adding an extra relay. Also, for more convenience, its latches can be relocated from sides to front (as shown on unit picture). This compact, lightweight, and powerful unit is the ideal choice for small single-family homes, high rise residential buildings and other limited space applications.

- Versatile horizontal or vertical port configuration
- Removable terminal block to ease auxiliary wall control connections
- Integrated pressure taps, if balancing required by building code
- ENERGY STAR® qualified

REPAIRS AND MAINTENANCE

All parts of the C12 ERV that could need maintenance can be removed in less than 5 minutes, allowing direct access for easy repairs. The PSC motors are permanently lubricated. Finally, the removable electrical drawer with pull-out PCB assembly allows easy access for maintenance of major sub-components.

WARRANTY

The C12 ERV is protected by a 5-year warranty on parts only. The energy recovery core is covered by a 5-year warranty, with the original proof of purchase.

Available at:



ENERGY RECOVERY VENTILATOR

Controls

- This unit is very simple to operate. Once it is installed, press on its push button, located on the bottom of the unit, to activate it. Press once for low speed, once again for high speed, and once more to stop it.
- For more convenience, this unit can also be controlled by an optional main control. For a complete list of optional main and auxiliary controls available, refer to the **Wall Control Compatibility Chart** on last pages of wall controls specification sheet, available at www.venmar.ca.
- For more details about controls, refer to the **Main and auxiliary wall controls** user guide, also available at www.venmar.ca.

Options

- Complete line of registers and diffusers
- Electric duct heater
- Metal tandem hood (part no. 14695)

Homeshield™ Defrosting System

The C12 ERV uses a unique defrosting method. No negative pressure is created by air exhausted to the outdoors, as the air is recirculated into the house, helping to prevent any backdraft.

STALE AIR FROM BUILDING	OUTDOOR TEMPERATURE		DEFROST CYCLE (IN MINUTES)
	°C	°F	
	WARMER THAN -5	WARMER THAN 23	NO DEFROST
	-5 TO -27	23 TO -17	9/28
	-27 AND LESS	-17 AND LESS	10/22

Energy Recovery Core

Dimensions: 19 1/8" x 13 7/16" x 6 7/8" (48.6 cm x 34.1 cm x 17.3 cm)

Exchange surface: 56 ft.² (5.2 m²)

Weight: 9.25 lb. (4.2 kg)

Material: Polymerized paper

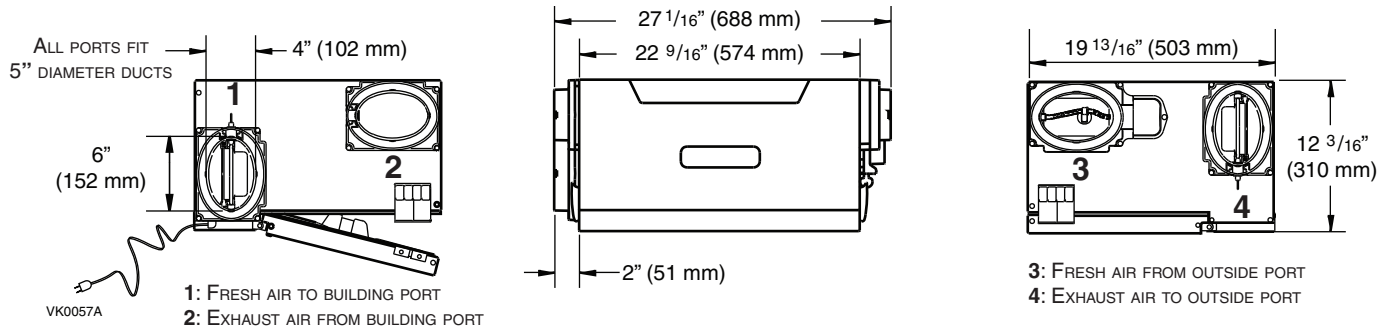
Type: Crossflow and counterflow core

Warranty: 5 years

Requirements and Standards

- Complies with the UL 1812 requirements regulating the installation of Energy Recovery Ventilators
- Complies with the CSA C22.2 no. 113 Standard applicable to ventilators
- Complies with CSA F326 requirements regulating the installation of Energy Recovery Ventilators
- Technical data was obtained from published results of tests relating to CSA C439 Standards
- HVI certified and ENERGY STAR® qualified

DIMENSIONS: C12 ERV (SIDE PORTS)



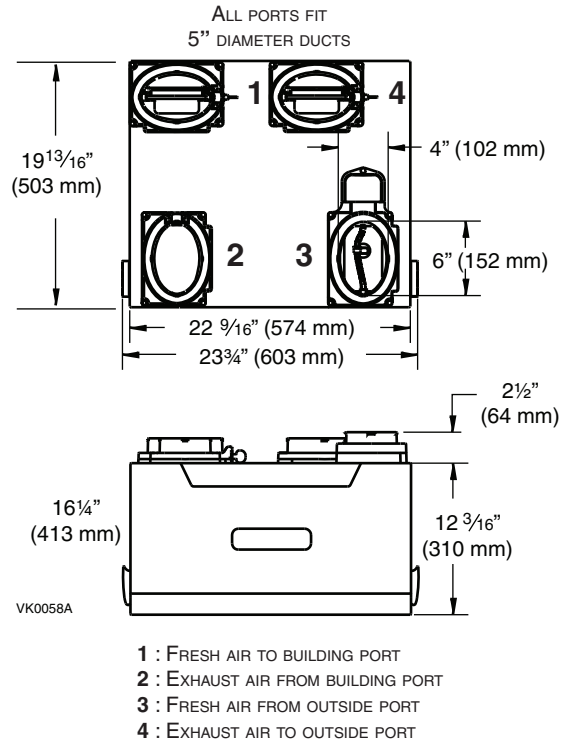
VENTILATION PERFORMANCE

EXTERNAL STATIC PRESSURE		NET SUPPLY AIR FLOW			GROSS AIR FLOW					
PA	IN. W.G.	L/S	CFM	M ³ /H	SUPPLY			EXHAUST		
					L/S	CFM	M ³ /H	L/S	CFM	M ³ /H
25	0.1	63	133	226	64	136	231	64	136	231
50	0.2	61	130	221	63	133	226	62	132	224
75	0.3	60	126	214	61	129	219	60	127	216
100	0.4	57	120	204	58	122	207	58	122	207
125	0.5	55	117	199	56	119	202	56	118	200
150	0.6	52	110	187	53	113	192	53	113	192
175	0.7	50	106	180	51	108	183	51	108	183
200	0.8	48	102	173	50	105	178	48	101	171
225	0.9	46	98	167	47	99	168	47	99	168
250	1.0	44	93	158	45	95	161	44	93	158

ENERGY PERFORMANCE

SUPPLY TEMPERATURE		NET AIR FLOW			POWER CONSUMED WATTS	SENSIBLE RECOVERY EFFICIENCY	ADJUSTED SENSIBLE RECOVERY EFFICIENCY	APPARENT SENSIBLE EFFECTIVENESS*	LATENT RECOVERY/MOISTURE TRANSFER
°C	°F	L/S	CFM	M ³ /H					
HEATING									
0	32	23	49	83	42	67	72	79	0.61
0	32	30	64	109	60	65	70	75	0.55
0	32	40	85	143	72	63	68	71	0.48
-25	-13	23	49	83	58	60	63	75	0.60
-25	-13	30	64	109	71	55	58	71	0.57
COOLING					TOTAL RECOVERY EFFICIENCY	ADJUSTED TOTAL RECOVERY EFFICIENCY			
35	95	21	44	75	42	50	53		

C12 ERV (TOP PORTS)



*Data not certified by HVI.

NOTE: All specifications are subject to change without notice.

SPECIFICATIONS

- Model: C12 ERV
- Part number top ports: 41556
- Part number side ports: 41554
- Total assembled weight (including polymerized paper core): 45 lb. (20.4 kg)
- Oval shaped ports; fit 5" diameter ducts
- Core filters: 30 ppi washable foam 8.75" x 6.75" x 0.5" (22.2 cm x 17.2 cm x 1.3 cm)
- Housing: Pre-painted steel
- Insulation: Expanded polystyrene
- Mounting: Suspension by chains and springs
- Supply and exhaust blower motor: 2 motors
 - Protection type: Thermally protected
 - Insulation class: B
- Speed control on unit: Low & high speeds. Other modes available with optional wall controls.
- Energy recovery core:
 - Heat exchange surface area: 56 ft.² (5.2 m²)
 - Type: Crossflow and counterflow
 - Material: Polymerized paper
- Unit electrical characteristics: 120 volts, 60 Hz, 1.00 ampere, 120 watts

Project:	REMARKS
Location:	
Part Number:	
Qty.:	
Submitted by:	Date:



Residential Products Group, 550 Lemire Blvd., Drummondville, Qc, Canada J2C 7W9 - Tel.: 1-800-567-3855 Fax 1-800-567-1715



www.venmar.ca

C12ERVd19_11