



## VENMAR AVS DUO 1.9

Part no. 45700 Canada/U.S.A.  
117 to 169 CFM (0.4 in. w.g.)



VB0088

### THE "HEALTH CONSCIOUS" SYSTEM THAT IS RIGHT FOR YOU

Designed to provide clean air all year round, the AVS DUO is particularly intended for customers with health concerns. Airborne bacteria, mites and allergens such as dust, pollen and mold are removed. Combined with an optional filter that can be inserted in the unit, the AVS DUO is the perfect ventilation system that provides a healthier indoor environment. The AVS DUO is also the prime choice to work in combination with an air conditioning unit.

- Reversible unit installation
- Improved standard filter performance
- Unique pan design, easier to clean and maintain
- Integrated balancing dampers and pressure taps
- Polymeric enthalpy wheel: Recovers heat and humidity
- No drain
- Exclusive HomeShield™ patented defrost system
- SilentSure™ operation
- PSC motor

### REPAIRS AND MAINTENANCE

Venmar AVS DUO modular design makes it possible to remove all mechanical parts in less than 5 minutes. The recovery wheel and its driving mechanism are characterized by their simplicity and ease of maintenance. Resorting to proven technologies, the Venmar development team applied the principle of the belt-driven system used in cars and used a shock and vibration-absorbing axle to prevent wear on the motor.

The low power consumption PSC motor is permanently lubricated. Even better, the entire motor subassembly can be removed in less than a minute for easier maintenance. Finally, the electronic circuit board eliminates electromechanical parts, reducing repair time to a minimum.

### WARRANTY

The AVS DUO units are protected by a complete 5-year warranty on all parts, including the energy recovery thermal wheel, with the original proof of purchase.

Available at:

# ENERGY RECOVERY VENTILATOR

### Controls

- Our main control Altitude no. 40440 allows you to manage your ventilation with a programmable mode. This control also features our fully automated optimizer mode called the Smart mode
- The following main controls are also available:
  - Deco-Touch digital control no. 40395
  - Venta no. 40310
- One or more of the following optional controls can be added:
  - Humidity Control no. 11297
  - 60-minute mechanical timer no. 00910
  - 20/40/60-minute push button no. 03364

### Options

- Complete line of registers and diffusers
- Electric duct heater
- Filters:
  - Charcoal no. 03315
  - Pleated no. 03316
  - Electronic no. 03314

### Homeshield™ Defrosting System

The AVS DUO uses a unique defrosting method. No negative pressure is created by air exhausted to the outside, as the air is recirculated into the house, helping to prevent any backdraft.

	OUTSIDE TEMPERATURE		DEFROST CYCLE DEFROSTING MIN./ OPERATING MIN.
	°C	°F	
WARMER THAN -5	WARMER THAN 23		NO DEFROST
-5 TO -15	23 TO 5		9/60
-15 TO -27	5 TO -19		9/32
-27 & LESS	-19 & LESS		9/20

### Energy Recovery Wheel

Dimensions: 14" Ø x 3¾" (36 cm Ø x 9.5 cm)

Weight: 5.5 lb (2.5 kg)

Material: Polymeric wheel impregnated with desiccant

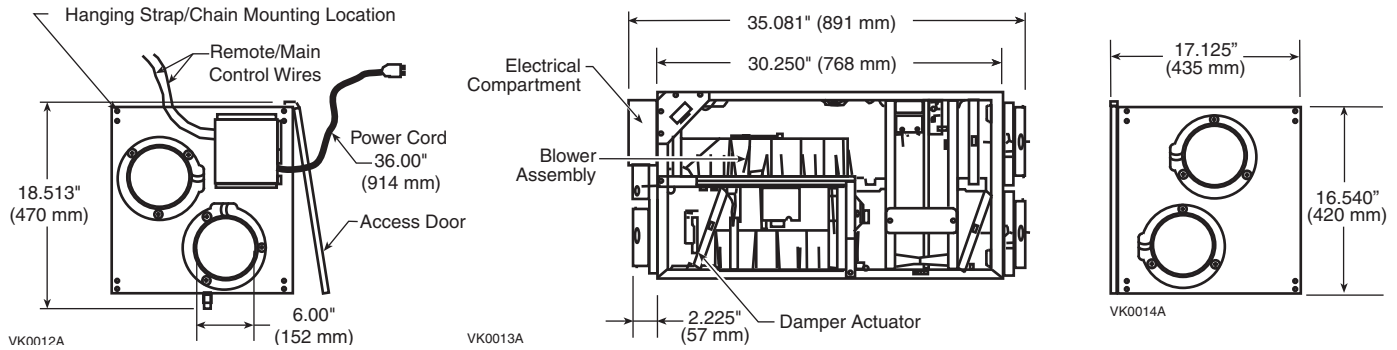
Type: Thermal wheel

Warranty: 5-year warranty

### Requirements and Standards

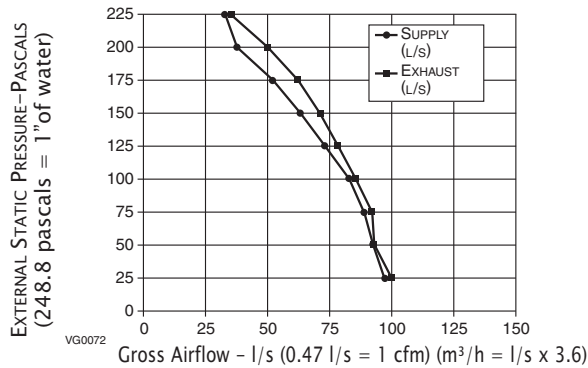
- Complies with the UL 1812 requirements regulating the installation of Energy Recovery Ventilators
- Complies with the CSA C22.2 no. 113 Standard applicable to ventilators
- Complies with the CSA F326 requirements regulating the installation of Energy Recovery Ventilators
- Technical data was obtained from published results of tests relating to CSA C439 Standards
- HVI certified

# Dimensions and Service Clearances: Venmar AVS DUO 1.9



## Ventilation Performance

EXT. STATIC PRESSURE	NET SUPPLY AIR FLOW		GROSS AIR FLOW							
			SUPPLY			EXHAUST				
PA	IN. W. G.	L/S	CFM	M <sup>3</sup> /H	L/S	CFM	M <sup>3</sup> /H	L/S	CFM	M <sup>3</sup> /H
25	0.1	97	206	350	99	211	359	100	214	364
50	0.2	92	196	333	95	201	342	95	203	345
75	0.3	85	181	308	87	186	316	90	192	326
100	0.4	79	169	287	81	173	294	85	180	306
125	0.5	72	153	260	74	156	265	79	168	285
150	0.6	63	134	228	65	138	235	70	149	253
175	0.7	51	108	184	52	111	189	62	132	224
200	0.8	38	81	138	39	83	141	50	106	180
225	0.9	33	69	117	33	71	121	35	75	127



## Energy Performance

SUPPLY TEMPERATURE	NET AIR FLOW			POWER CONSUMED WATTS	SENSIBLE RECOVERY EFFICIENCY	APPARENT SENSIBLE EFFECTIVENESS	LATENT/RECOVERY MOISTURE TRANSFER	
	°C	°F	L/S					CFM
HEATING								
0	32	56	119	202	137	69	77	0.79
0	32	83	177	302	201	64	71	0.75
COOLING								
35	95	55	116	198	132	TOTAL RECOVERY EFFICIENCY		70

NOTE: All specifications are subject to change without notice.

## Specifications and Ratings

- Model: Venmar AVS DUO 1.9
- Part No.: 45700 Canada/U.S.A.
- Total Assembled Weight (including energy recovery wheel): 73 lb (33.1 Kg)
- Supply and Exhaust Air Duct Connections: 6" (15.24 cm) diameter
- Filters: 20 ppi washable reticulated foam 15.375" x 7.125" x 0.75" (39 cm x 18 cm x 1.9 cm)
- Housing: Pre-painted steel
- Insulation: 1" (2.54 cm) aluminum foil faced fiberglass, 0.825" (2.1 cm) expanded polystyrene
- Mounting: Suspension by chains and springs
- Supply & Exhaust Blower Motor: 1 motor
  - Protection type: Thermally protected
  - Insulation class: B
- Fan Speed Control:
  - Low or increased low & high speed
  - Two speeds available for the user
  - Low or increased low speed is selected at the time of installation
- Unit Electrical Characteristics: Canada/U.S.A.
 

Volts	Frequency	Amperes	Watts
120	60 Hz	2.2	250

PROJECT:	REMARKS
LOCATION:	
MODEL NO.:	
QTY.:	
SUBMITTED BY:                      DATE:	

