



Venmar ERV Quattro 2.4

Part no. 45908

117 to 214 CFM (0.3 in. w.g.)

110 to 201 CFM (0.4 in. w.g.)



VB0230

FOR RENOVATION AND CUSTOM BUILT HOUSES

Designed for homeowners seeking the best performance, added value and quality.

Recognized for its unsurpassed quality and superior craftsmanship, this new member of Quattro Series features a new level of exceptional performance. It is guaranteed to satisfy the homeowner looking for durability, reliability and performance.

Solid Performances

- Best heat recovery in its category
- Best airflow range in its category
- Exclusive convertible ERV (Latent Recovery Core) to an HRV
- Blower design makes the unit quieter than ever

Superior Craftsmanship

- External electrical access side panel
- Integrated balancing dampers
- All serviceable parts removable in 5 minutes
- Aluminum framed foam filter
- Improved sliding system for core insertion
- Exclusive, deeper one piece condensation tray to prevent water leakage
- No sharp angles on metal parts
- Exclusive, reinforced housing
- Improved defrost damper and damper mechanism, designed to operate during the toughest weather conditions

Tradition of Quality

- Proven technology and mechanical simplicity for heat recovery
- Low motor temperature operation for longer life expectancy

WARRANTY

The ERV Quattro 2.4 unit is protected by a complete 5-year warranty on all parts, including the energy core, with the original proof of purchase.

Available at:

HEAT RECOVERY VENTILATOR

Controls

- Choose between these two following main controls:
 - Altitude programmable digital control with SMART mode no. 40445
 - Deco-Touch digital control no. 40400
- Also, the following auxiliary wall controls can be added:
 - 20/40/ 60-min. push button no. 03364
 - 60-min. Mechanical timer no. 00910
 - Dehumidistat no. 11297

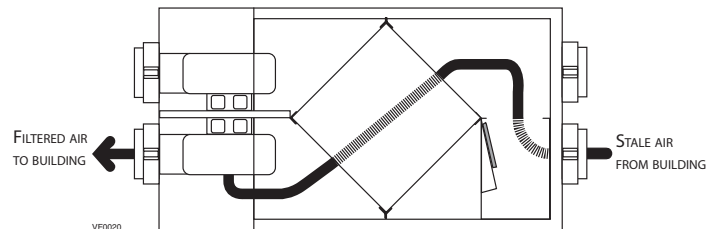
For more details about controls, refer to their specification sheet and to the **Main and auxiliary wall control user guide** at www.venmar.ca.

Options

- Complete line of registers and diffusers
- Electric duct heater

No Negative Pressure Defrost

Defrost system ensures that no negative pressure is created by air exhausted to the outdoors, as the air is recirculated into the house, helping to prevent any backdraft.



VF0020

OUTSIDE TEMPERATURE		DEFROST CYCLE MIN./ OPERATING MIN.
°C	°F	
WARMER THAN -5	WARMER THAN 23	No DEFROST
-5 TO -27	23 TO -17	6/32
-27 AND LESS	-17 AND LESS	6/20

Energy Recovery Core

Dimensions: 12" x 12" x 16.75"

Exchange surface: 156 ft.²

Weight: 10.5 lb.

Material: Enthalpic transfer media

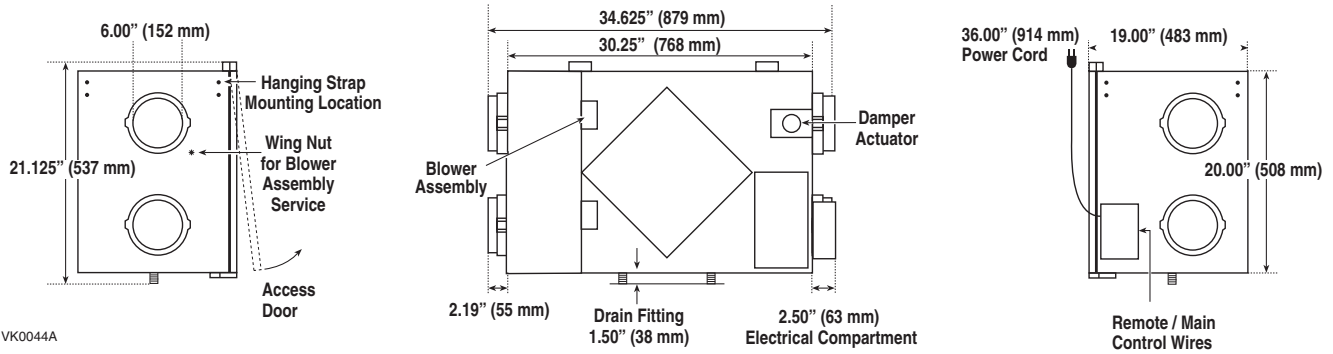
Type: Cross Flow

Warranty: 5 years

Requirements and standards

- Complies with the CSA C22.2 no. 113 Standard applicable to ventilators
- Complies with CSA C444 requirements regulating the installation of Energy Recovery Ventilators
- Technical data was obtained from published results of tests relating to CSA C439 Standards
- HVI certified

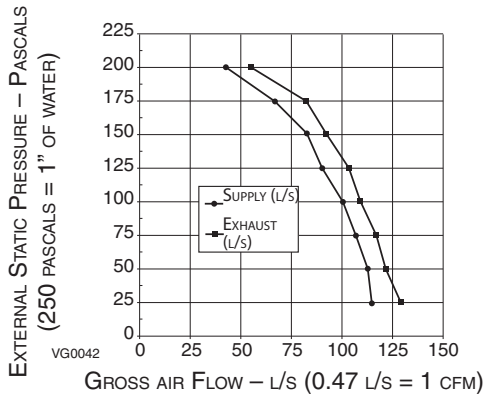
DIMENSIONS: ERV QUATTRO 2.4



NOTE: ALL UNITS PORTS WERE CREATED TO BE CONNECTED TO DUCTS HAVING A MINIMUM OF 6" DIAMETER, BUT IF NEED BE, THEY CAN BE CONNECTED TO BIGGER SIZED DUCTS BY USING AN APPROPRIATE TRANSITION (E.G.: 6" DIAMETER TO 7" DIAMETER TRANSITION).

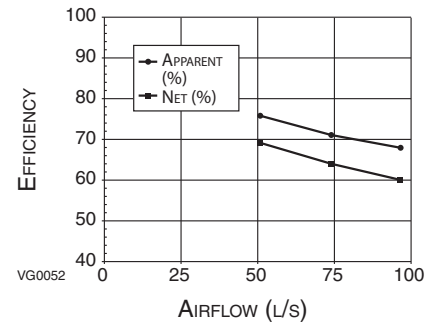
VENTILATION PERFORMANCE

EXTERNAL STATIC PRESSURE		NET SUPPLY AIR FLOW		GROSS AIR FLOW			
PA	IN. W.G.	L/S	CFM	SUPPLY		EXHAUST	
				L/S	CFM	L/S	CFM
25	0.1	109	231	116	245	128	271
50	0.2	107	228	114	241	123	260
75	0.3	101	214	107	227	118	249
100	0.4	95	201	101	213	110	233
125	0.5	86	182	91	193	103	217
150	0.6	79	167	83	177	92	195
175	0.7	62	132	66	140	81	172
200	0.8	40	85	43	90	55	116



ENERGY PERFORMANCE

SUPPLY TEMPERATURE		NET AIR FLOW		POWER CONSUMED	SENSIBLE RECOVERY EFFICIENCY	APPARENT SENSIBLE EFFECTIVENESS	LATENT RECOVERY/MOISTURE TRANSFER
°C	°F	L/s	CFM	WATTS	%	%	
HEATING							
0	32	52	110	93	69	76	0.45
0	32	74	157	130	64	71	0.38
0	32	96	203	193	60	68	0.30
-15	5	52	110	122	55	76	0.40
COOLING							
35	95	50	106	89	TOTAL RECOVERY EFFICIENCY		
						41	



NOTE: All specifications are subject to change without notice.

SPECIFICATIONS

- Model: ERV Quattro 2.4
- Part Number: 45908
- Total Assembled Weight (including enthalpic transfer media core): 73 lb.
- Round shaped ports; fit 6" round ducts
- Drains: 1/2" fittings
- Filters: 2 washable 30 ppi reticulated foam 11.75" x 16.75" x 0.75"
- Housing: Pre-painted steel
- Insulation: 1" aluminum foil faced fiberglass
- Mounting: Suspension by chains and springs
- Supply and Exhaust Blower Motor:
 - Bearings: Sleeve bearings
 - Type: PSC
- Fan Speed Control:
 - Low, increased low and high speed
 - Two speeds available to user
 - Low or increased low speed is selected at the time of installation
- Unit Electrical Characteristics:

Volts	Frequency	Amps	Watts
120	60 Hz	1.9	202

Project:	REMARKS
Location:	
Part no.: 45908	
Qty.:	
Submitted by: _____ Date: _____	



Residential Products Group, 550 Lemire Blvd., Drummondville, Qc, Canada J2C 7W9 - Tel.: 1-800-567-3855 Fax: 1-800-567-1715



www.venmar-usa.com

ERVQUATTRO2.4d150202