



## Venmar AVS ERV EKO 1.5

Part no. 43911

84 to 140 CFM (0.4 in. w.g.) 53 to 105 CFM (0.4 in. w.g.)  
67 to 120 CFM (0.4 in. w.g.) 40 to 80 CFM (0.4 in. w.g.)



VB0136

### A NEW ERA BEGINS WITH THE ERV EKO 1.5 ULTRA-EFFICIENT AND ENVIRONMENTALLY-FRIENDLY ENERGY RECOVERY VENTILATOR

The ERV EKO 1.5 has been designed to be one of the most energy-efficient ERV air exchangers available on the market. Its innovative design incorporates high performance ECM\* motors which consume significantly less electricity. ERVs are ideal for LEED®-certified residential projects and other energy-efficient homes because they recover the heat or coolness of the indoor air while helping to maintain comfortable moisture levels inside the home.

- Perfect for drier homes using humidifiers in heating season and air conditioning during cooling season
- Compact footprint allows an easy fit in restricted spaces
- No drain required\*\*
- State-of-the-art ECM motors provide significant electrical consumption savings
- 6" metal ports located on top of unit to simplify installation and provide a cleaner appearance
- Integrated pressure taps and balancing dampers to quickly measure and balance the air-flow
- Faster and easier installation of insulated flexible ducts with practical straps
- Homeshield™ defrosting system (no negative pressure)
- ENERGY STAR® qualified: Ideal for high performance small to mid-size homes

\*Electronically Commutated Motor.

\*\*For most climate zones.

#### REPAIRS AND MAINTENANCE

The ERV EKO 1.5 high output ECM\* motors are permanently lubricated. The electronic circuit board eliminates electromechanical parts, reducing repair time to a minimum.

#### WARRANTY

The ERV EKO 1.5 unit is protected by a 5-year warranty on all parts, including the energy recovery core.

Available at:

# ENERGY RECOVERY VENTILATOR

#### Controls

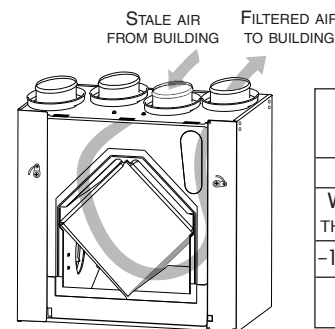
- This unit is very simple to operate. Once it is installed, press on its push button, located under the unit, to activate it. Press once for low speed, once again for high speed, and once more to stop it
- The following main controls are available:
  - Altitude programmable digital control with Smart mode no. 40440
  - Deco-Touch digital control no. 40395
- Also, one to 5 of the following optional controls can be added:
  - 20/40/60-min. Push-Button Timer no. 03364
  - 60-min. Mechanical Timer no. 00910

#### Options

- Complete line of registers and diffusers
- Electric duct heater

#### Homeshield™ Defrosting System

The ERV EKO 1.5 uses a unique defrosting method. No negative pressure is created by air exhausted to the outside, as the air is recirculated into the house, helping to prevent any backdraft.



VF0050

OUTSIDE TEMPERATURE		DEFROST CYCLE DEFROSTING MIN./ OPERATING MIN.
°C	°F	
WARMER THAN -10	WARMER THAN 14	No DEFROST
-10 TO -27	14 TO -17	7/25
-27 & LESS	-17 & LESS	10/22

#### Energy Recovery Core

Dimensions: 10" x 10" x 14.25"  
(25.4 cm x 25.4 cm x 36.2 cm)

Exchange surface: 110 ft<sup>2</sup> (10.2 m<sup>2</sup>)

Weight: 20 lb (9.1 kg)

Material: Polymerized paper

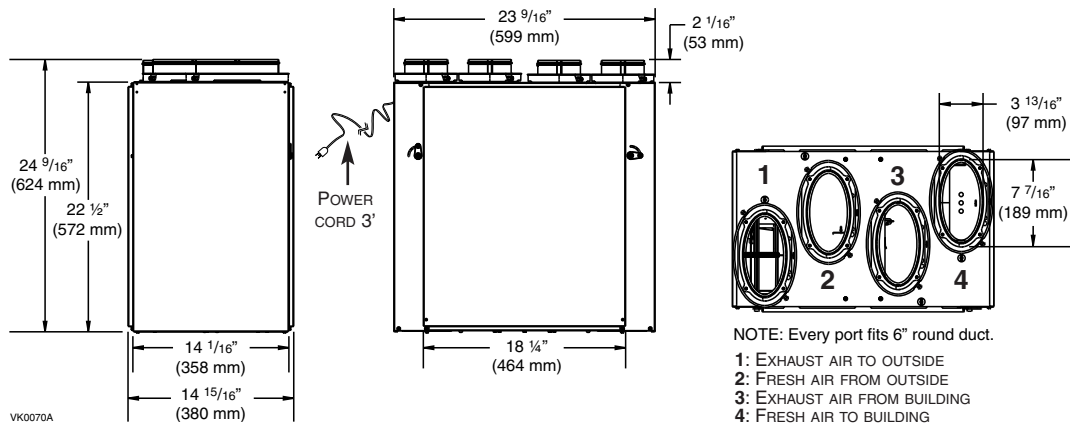
Type: Cross Flow

Warranty: 5 year

#### Requirements and Standards

- Complies with the UL 1812 requirements regulating the installation of Energy Recovery Ventilators
- Complies with the CSA C22.2 no. 113 Standard applicable to ventilators
- Complies with CSA C444 requirements regulating the installation of Energy Recovery Ventilators
- Technical data was obtained from published results of tests relating to CSA C439 Standards
- HVI certified and ENERGY STAR® qualified

# Dimensions and Service Clearances: Venmar ERV EKO 1.5



NOTE: Every port fits 6" round duct.  
 1: EXHAUST AIR TO OUTSIDE  
 2: FRESH AIR FROM OUTSIDE  
 3: EXHAUST AIR FROM BUILDING  
 4: FRESH AIR TO BUILDING

## Ventilation Performance

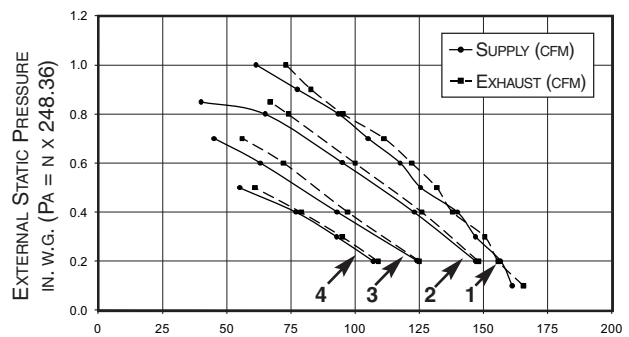
EXT. STATIC PRESSURE	NET SUPPLY AIR FLOW	GROSS AIR FLOW								
		SUPPLY			EXHAUST					
PA	IN. W.G.	L/S	CFM	M <sup>3</sup> /H	L/S	CFM	M <sup>3</sup> /H	L/S	CFM	M <sup>3</sup> /H
25	0.1	76	161	274	77	163	277	78	166	282
50	0.2	74	157	267	75	158	268	74	156	265
75	0.3	69	147	250	70	149	253	71	150	255
100	0.4	66	140	238	67	142	241	65	138	234
125	0.5	59	125	212	60	127	216	62	132	224
150	0.6	55	117	199	56	119	202	58	122	207
175	0.7	50	105	178	50	107	182	53	111	189
200	0.8	44	93	158	45	95	161	45	95	161
225	0.9	37	77	131	37	79	134	39	83	141
250	1.0	29	61	104	29	62	105	34	73	124

## Energy Performance

SUPPLY TEMPERATURE	NET AIR FLOW	POWER CONSUMED	SENSIBLE RECOVERY EFFICIENCY	APPARENT SENSIBLE EFFECTIVENESS	LATENT/RECOVERY MOISTURE TRANSFER		
						°C	°F
HEATING							
0	32	24	52	24	67	73	0.59
0	32	31	65	30	67	72	0.55
0	32	39	83	36	65	71	0.52
0	32	57	122	60	62	67	0.46
-25	-13	33	70	39	60	75	0.61
35	95	24	51	24	52*	71	0.51

\*Total recovery efficiency

## Fan Curve according to Speed



GROSS AIR FLOW  
 CFM (L/S = CFM x 0.4719) (M<sup>3</sup>/H = L/S x 3.6)

- SPEED RANGE 1: 84 to 140 CFM
- SPEED RANGE 2: 67 to 120 CFM
- SPEED RANGE 3: 53 to 105 CFM
- SPEED RANGE 4: 40 to 80 CFM

NOTE: All specifications are subject to change without notice.

## Specifications and Ratings

- Model: ERV EKO 1.5
- Part number: 43911
- Total assembled weight (including polymerized paper core: 65 lb (29.5 kg)
- Oval shaped ports; fit 6" round ducts
- Drains: Optional
- Core filters: 2 washable Merv 7  
 9.2" x 14.25" x 3.8"  
 (23.4 cm x 36.2 cm x 9.6 cm)
- Housing: Pre-painted steel
- Insulation: Expanded polystyrene
- Mounting: Suspension by chains & springs
- Supply & Exhaust blower motors: 2 ECM motors
  - Protection type: Thermally protected
  - Insulation class: B
- Speed control on unit:
  - Low and high speed
  - Other modes available with Altitude or Deco-Touch main control
- Energy recovery core:
  - Heat exchange surface area: 110 ft<sup>2</sup> (10.2 m<sup>2</sup>)
  - Type: Cross flow
  - Material: Polymerized paper
- Unit electrical characteristics:
 

Volts	Frequency	Amperes	Watts
120	60 Hz	1.3	90

PROJECT:	REMARKS
LOCATION:	
MODEL NO.:	
QTY.:	
SUBMITTED BY:	DATE:



Residential Product Group, 550 Lemire Blvd., Drummondville, QC, Canada J2C 7W9 - Tel.: 1-800-567-3855 Fax: 1-800-567-1715



www.venmar.ca

AVSERVEKO1.5d120309