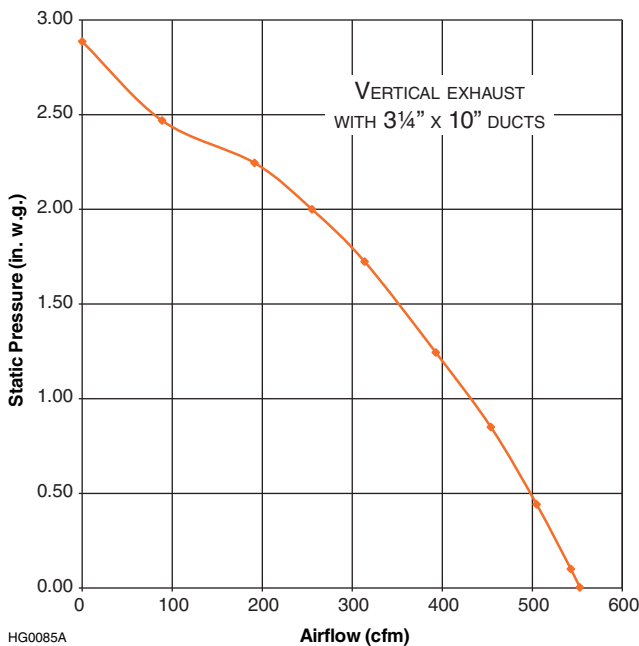


**SPECIFICATIONS**

MODEL	VCS500	
VOLTS	120 VAC	
HZ	60	
AMPS	4.8	
CFM (LOW SPEED)	260	
CFM (HIGH SPEED)	500*	
SONES (LOW SPEED)	4	
SONES (HIGH SPEED)	11.5	
DUCTING SIZES	VERTICAL: 6" ROUND OR 3 1/4" x 10"	HORIZONTAL: 3 1/4" x 10"
2 SHIELDED HALOGEN BULBS	120 V, 50 W, GU10 BASE	
WARRANTY	5 YEARS	

- \*OPTIONAL AIR FLOW REDUCERS:  
(LIMITS THE AIRFLOW OF THE HOOD UNDER 300 CFM)
- ARP6 (WITH 6" ROUND DUCTS)
  - ARP310 (WITH 3 1/4" x 10" DUCTS)

**AIR FLOW PERFORMANCE**

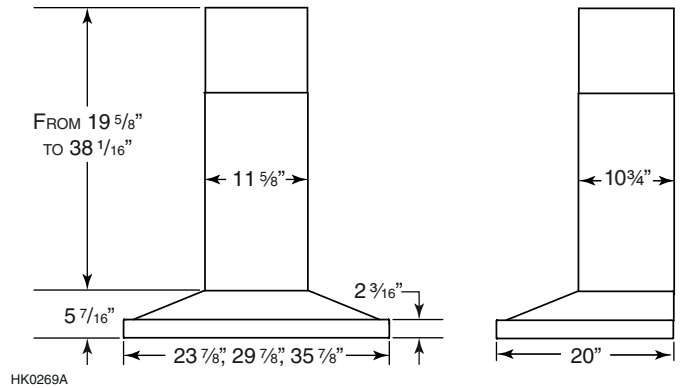


HG0085A

www.venmar.ca

Venmar Ventilation ULC, 550 Lemire Blvd., Drummondville, Québec, Canada J2C 7W9 - Tel: 1-800-567-3855 Fax: 1-800-567-1715

**DIMENSIONS**



HK0269A

**REQUIREMENTS & STANDARDS**

- Complies with CSA C22.2 no. 113 Standard
- Complies with UL 507 requirements
- HVI certified



HVI-2100 CERTIFIED RATINGS comply with new testing technologies and procedures prescribed by the Home Ventilating Institute, for off-the-shelf products, as they are available to consumers. Product performance is rated at 0.1 in. (2.54 mm) static pressure, based on tests conducted in a state-of-the-art test laboratory. Sones are a measure of humanly-perceived loudness, based on laboratory measurements.



RANGE HOOD AIRFLOW HAS BEEN TESTED BY AN INDEPENDANT LABORATORY DESIGNATED BY THE HOME VENTILATING INSTITUTE (HVI). THE MAXIMUM AIRFLOW OF THE BLOWER IS 550 CFM.

PROJECT	REMARKS
LOCATION	
MODEL No.	
QTY.	
SUBMITTED BY	
DATE	