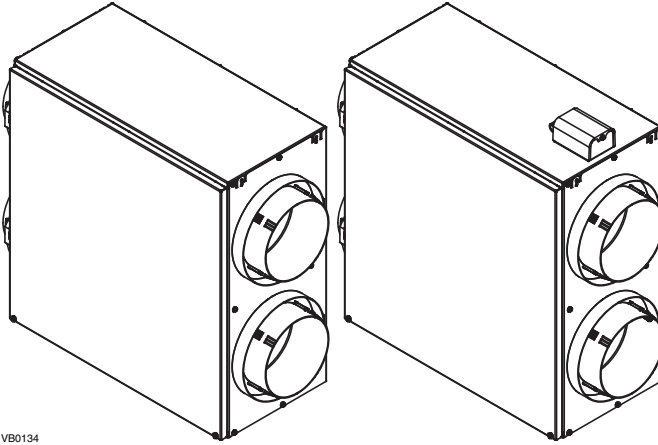


# FURNACE AIR EXCHANGERS WITH HEAT RECOVERY

**FAE125**  
**VFAE125**

**FAE125M**  
**VFAE125M**



VB0134

## THE ECONOMICAL WAY TO GET FRESH AIR IN YOUR HOME

The complete line of furnace air exchanger is the essential complement for homes heated with a forced air system. Using the existing ducting system and the furnace blower, these units provide fresh air from the outside to the furnace. At the same time, they ensure good ventilation by exhausting stale air to the outside. All these units recover a portion of the heat from the stale air and transfer it to the fresh incoming air. Also, their damper actuator\* helps control the humidity level in your home for more comfort.

- Almost no electrical consumption\*
- Compact size and light weight for easy installation
- Unique pan design, simple to clean and maintain
- Integrated balancing dampers
- Removable door for quick access to internal parts
- Motorized dampers\* for humidity control

\*FAE125M and VFAE125M units only.

### SPECIFICATIONS

- Total assembled weight: 28 lb (12.7 kg)
- Supply and exhaust air duct connection: 6" (152 mm)
- Drain diameter: 1/2" (12 mm) Fittings
- Filter: Aluminum with electrostatic mesh  
1 1/2" x 7 15/16" x 3/8" (292 mm x 202 mm x 10 mm)
- Cabinet: Galvanized steel
- Insulation: 1" (25.4 mm) Aluminum foil faced fiberglass,  
5/8" (16 mm) expanded polystyrene
- Mounting: Suspension by chains
- Unit electrical characteristics: 24 V, 60 Hz, 6 Watts  
(FAE125M and VFAE125M units only)

### WARRANTY

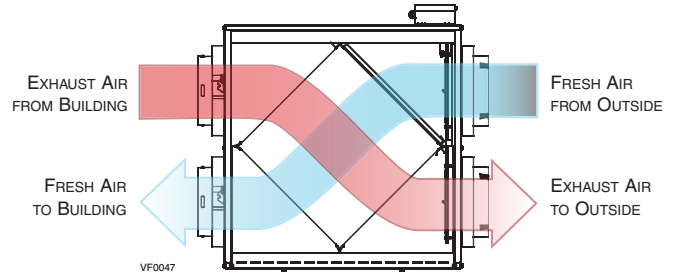
The FAE125, FAE125M, VFAE125 and VFAE125M units are protected by a 2-year warranty and the heat recovery core is covered by a limited lifetime warranty.

Submitted by:		Date:	Project:
Qty.:	Model no.:	Remarks:	Location:
			Architect:
			Engineer:
			Contractor:

### CONTROLS (FAE125M AND VFAE125M UNITS ONLY)

- The FAE125M unit comes with the Dehumidistat control and the VFAE125M comes with the Humidity Control.
- These wall controls work with a dehumidistat that allows you to select the desired humidity level according to your needs. If the selector is set above the click, the unit will close its dampers and stop air exchange with the outside. If the selector is set below the click, the unit will open its dampers and allow air exchange with the outside until the desired humidity level has been reached.

### AIRFLOW DURING AIR EXCHANGE



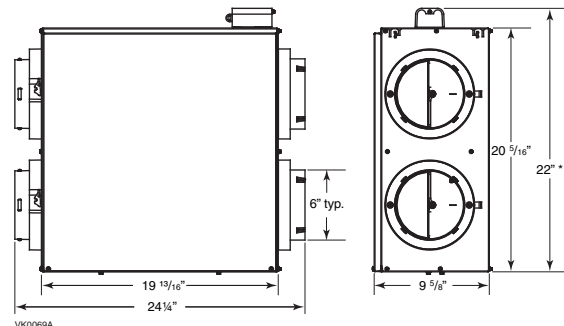
### CAUTION

When the outside temperature is under -7°C (19°F), the furnace must operate intermittently in heating mode to prevent frost accumulation inside the unit.

### HEAT RECOVERY CORE

Dimensions: 12" x 12" x 8" (305 mm x 305 mm x 203 mm)  
Exchange surface: 50 ft<sup>2</sup> (4.6 m<sup>2</sup>)  
Weight: 9 lb (4.1 kg)  
Material: Polypropylene  
Type: Crossflow core  
Warranty: Limited lifetime

### DIMENSION AND CLEARANCES



\*22" height for FAE125M and VFAE125M models only.

Available at:

