

Sleek and modern - this model is sure to win over even the most demanding users with its innovative design, advanced technology, and unmatched performance. The LED modules included with this hood are the latest in LED cooktop illumination technology specially designed to operate in the elevated temperatures of cooking - offering bright lighting and lasting up to 25 times as long as a standard bulb and greater reliability than typical replacement LED bulbs.

SIZE	WHITE	STAINLESS	GREASE FILTERS (replacement)	NON-DUCTED FILTERS
30 in.	VBLDN130WH	VBLDN130SS	HPFA430 (Type C5)	HPF30 (Type Xc)

PERFORMANCE								
Duct Orientation	Size	Damper	Sones			CFM		
			Normal	Medium	High	Normal	Medium	High
Vertical - Rectangular	3¼ in. x 10 in.	Included	0.3	2.5	6.5	120	200	360
Horizontal - Rectangular	3¼ in. x 10 in.	Included	0.3	2.5	6.5	120	220	400
Round - Vertical	7 in.	Sold Separately	0.5	2.5	6.5	120	210	370

FEATURES	
Control type	3-speed Pushbutton with LCD
Delay off	yes
Filter Clean Reminder	yes
Heat Sentry™	yes
ADA Capable	yes
Lighting	3-level LED (included)
Grease Filters	Hybrid/Baffle (Qty. 2)
Installation Hardware	EZ1 brackets
ENERGY STAR®	no
Recirculation	Non-ducted filters sold separately

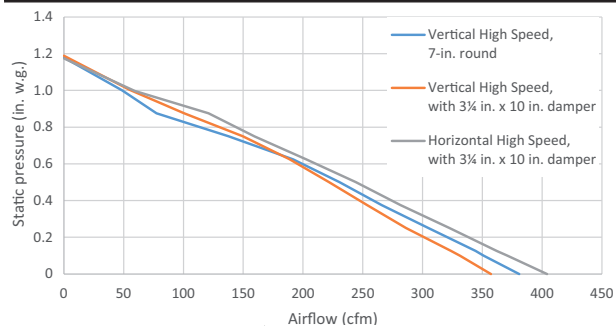
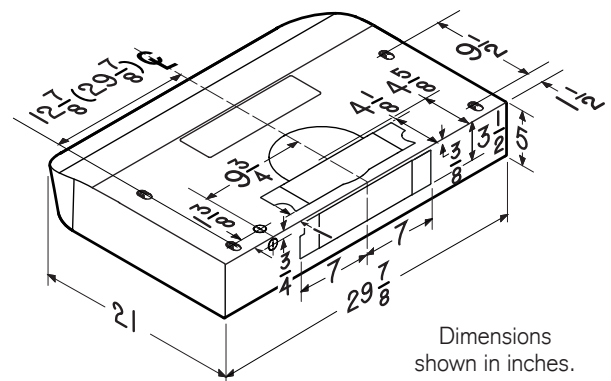
AC INPUT	
120 V, 60 Hz - 1.4 AMPS	

OPTIONAL ACCESSORIES	
7-in. Round Damper	BP87Q
7-in. Round Adapter Plate	SR680508
ADA Wiring Kit	HAWRK3
Make-up Air Dampers	MD6TU, MD8TU and MD10TU

MOUNTING HEIGHT	
18 in. to 30 in. from cooktop to bottom of hood	

LIMITED WARRANTY	
1-year	
3-year (LED modules only)	
See installation manual for full warranty text.	

**FOR INDOOR USE ONLY**



SPECIFICATION SHEET  
**VBLDN1 SERIES**



HVI-2100 CERTIFIED RATINGS comply with new testing technologies and procedures prescribed by the Home Ventilating Institute, for off-the-shelf products, as they are available to consumers. Product performance is rated at 0.1 in. static pressure, based on tests conducted in AMCA's state-of-the-art test laboratory. Sones are a measure of humanly-perceived loudness, based on laboratory measurements.