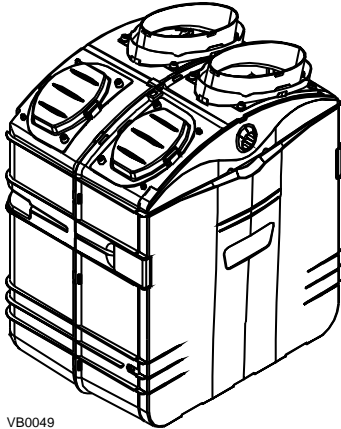


WHOLE-HOUSE HEPA AIR PURIFIER SYSTEMS*

MODEL: HEPA 3.2*

270 cfm (filtration) on Normal speed

320 cfm (filtration) on Boost speed



HEPA** FILTRATION FOR THE ENTIRE HOME

Equipped with an HEPA** filter, this unit will make the difference in your Indoor Air Quality by trapping airborne allergens such as dust, mold, bacteria, etc.

- Simple and easy installation to furnace ducting or stand alone option
- No outside connections
- Cabinet integrated handles
- 320 cfm of filtered air
- Ideal to recirculate airflow (fireplace, wood stove)
- Optional wall control available

The large filtration capacity of this unit (whole house instead of one room), ensures that wherever you are in your house, you and your family will live in a clean indoor air, at every breath you take. Moreover, if you have a combustion heating system (such as a wood stove) in your basement, the recirculation produced by the HEPA 3.2 will distribute all the heat throughout the house. Doing so, this unit will increase your comfort. Also, if you own an air conditioning system, the fresh air will be distributed throughout the house in summer.

**HEPA: High Efficiency Particulate Air.

Available at :

Control

This unit is very simple to operate: once it is installed, simply turn on the switch (located on the front panel) to the desired speed (Off, Normal or Boost).

If desired, you can use the optional wall control. This control is equipped with a filter maintenance indicator telling you when it is time to perform the maintenance.



VC0054

- Control #05439 (for vanEE unit)
- Control #04862 (for Venmar unit)

Filtration

The high level of filtration performed by the HEPA 3.2 is made possible by the use of 2 different filters:

- First, the airflow entering the unit goes through the prefilter, which catches the biggest particles. Using a prefilter extends the life expectancy of the HEPA filter.
- Then, the airflow passes through the HEPA filter, which catches up to 99.97% of 0.3 microns and larger size harmful microscopic particles.

Airborne particles trapped

- Pollen
- Fungus spores
- Tobacco smoke
- Bacteria
- Dust mite debris
- Pet danders
- Mold spores
- Dust, etc.

Maintenance

Furthermore to its easy installation, the HEPA 3.2 is maintenance troublefree.

Once the front door is open, you directly access the prefilter and HEPA filter cartridge. The prefilter should be replaced every 6 months and the complete HEPA filter cartridge should be replaced once a year.

No tools are required to perform the maintenance. Also, the motor is factory lubricated; there is no need to oil the motor.

Requirements and Standards

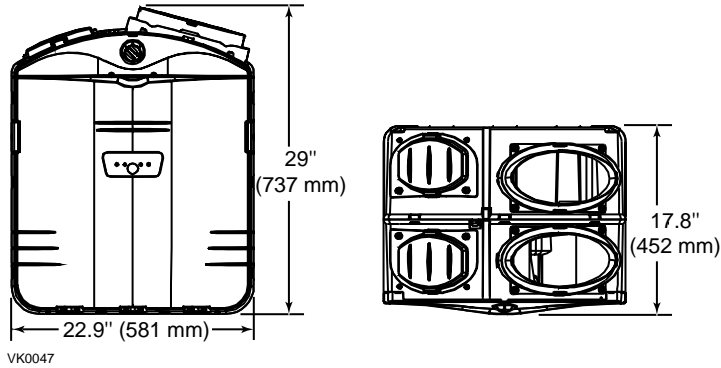
- Complies with CSA C22.2 No. 113-M1984
- Complies with UL 1812

Warranty

All HEPA 3.2* units are fully protected by a 2-year warranty on all parts only, except for filter and prefilter.

* Patent pending

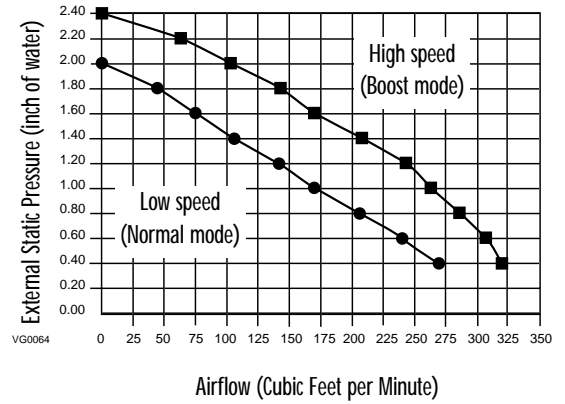
Dimensions and Clearances: HEPA 3.2 unit



FRONT VIEW

TOP VIEW

Filtration Airflow

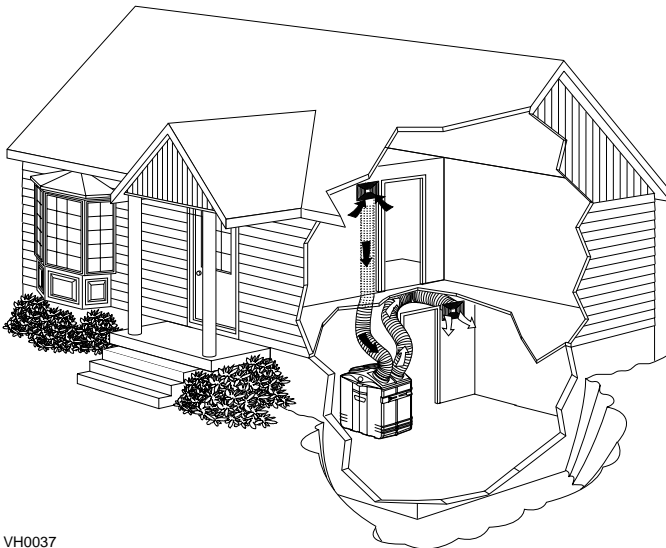


Installation

Stand Alone

OR

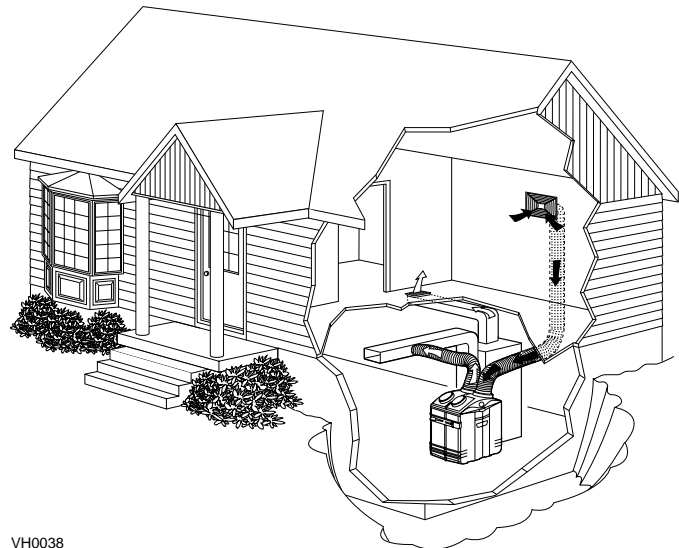
Connection to Forced Air System



VH0037

(For homes with radiant hot water or electric baseboard heating.)

Stale air is drawn to the unit by the register located at the highest level of the house. Filtered air is supplied in principal living area, by the register located at the lowest level.



VH0038

(For homes with forced air heating.)

Stale air is drawn to the unit by the register located at the highest level of the house. Filtered air is supplied to the cold air return (plenum) of the furnace.

Specifications and ratings

- Model: HEPA 3.2
- Part number: #HEPA320
- Total Assembled Weight: 34 lbs (15.4 kg)
- Duct Collars: oval shaped, fits 8" round duct
- Cabinet: Rugged plastic
- Mounting: Suspension by chains and springs
- Filtration: One prefilter plus one HEPA filter, captures 99.97% @ 0.3 micron and larger size particles
- Motor and blower : 3300 RPM, 320 cfm
- Unit Electrical Characteristics:
 - Voltage: 120 volts AC
 - Power: 170 Watts
 - Current: 1.5 Amps.
 - Frequency: 60 Hz

Submitted by:		Date :	Project:
Qty:	Model #:	Remarks:	Location:
			Architect:
			Engineer:
			Contractor:

