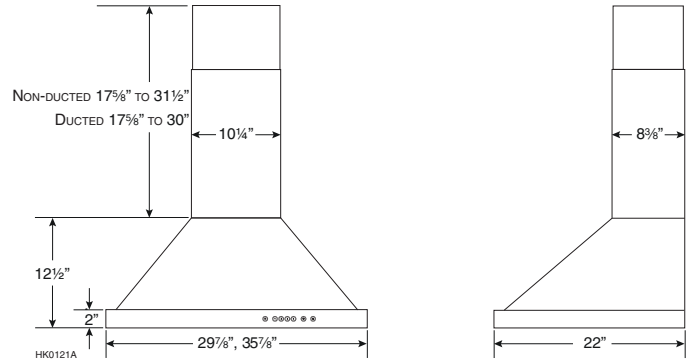


SPECIFICATIONS

MODEL	CC32I
VOLTS	120 VAC
Hz	60
AMPS	4.0
CFM (LOW SPEED)	200
CFM (HIGH SPEED)	600*
SONES (LOW SPEED)	1.4
SONES (HIGH SPEED)	9.5
DUCTING SIZES	8" ROUND OR 3 1/4" x 10"
2 LED MODULES	120 V, 5.5 W
WARRANTY	5 YEARS (EXCEPT LED MODULES, 3 YEARS)

*OPTIONAL ARP8 AIR FLOW REDUCER
(LIMITS THE AIRFLOW OF THE HOOD UNDER 300 CFM).

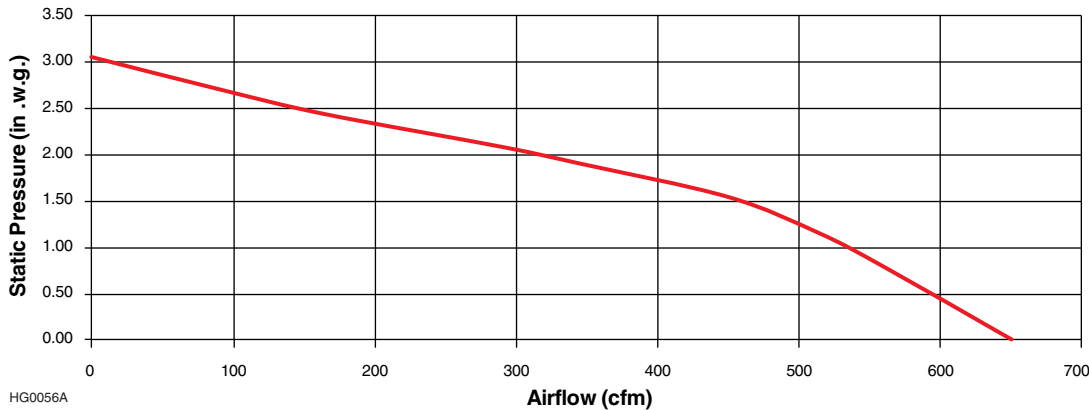
DIMENSIONS



REQUIREMENTS & STANDARDS

- Complies with CSA C22.2 no. 113 Standard
- Complies with UL 507 requirements
- HVI certified

AIR FLOW PERFORMANCE



HVI-2100 CERTIFIED RATINGS comply with new testing technologies and procedures prescribed by the Home Ventilating Institute, for off-the-shelf products, as they are available to consumers. Product performance is rated at 0.1 in. (2.54 mm) static pressure, based on tests conducted in a state-of-the-art test laboratory. Sones are a measure of humanly-perceived loudness, based on laboratory measurements.



www.venmar.ca

Venmar Ventilation ULC, 550 Lemire Blvd., Drummondville, Québec, Canada J2C 7W9 - Tel: 1-800-567-3855 Fax: 1-800-567-1715

PROJECT	REMARKS
LOCATION	
MODEL No.	
QTY.	
SUBMITTED BY	
DATE	