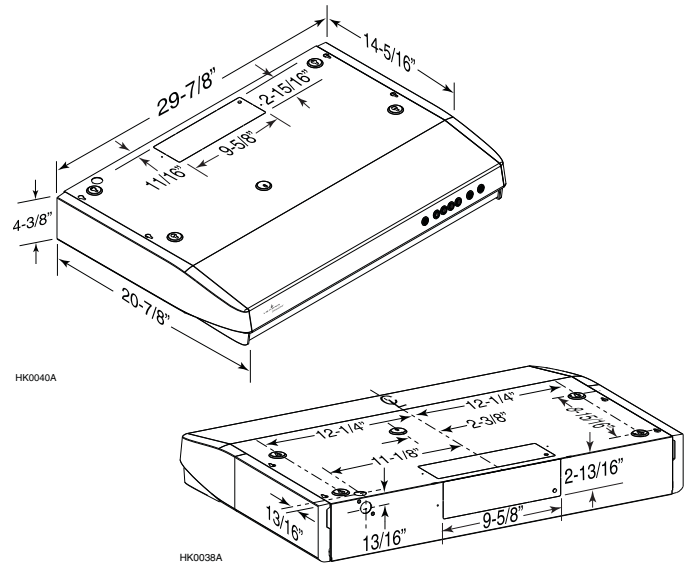


SPECIFICATIONS

MODEL	C600E SERIES
VOLTS	120 VAC
Hz	60
AMPS	3.4
MAX. CFM (VERT.)	470
MAX. CFM (HORIZ.)	670
SONES (VERT.)	10.5
SONES (HORIZ.)	10.0
TOTAL HOOD POWER CONSUMPTION	398 W
DUCTING SIZE	3¼" x 10"
2 SHIELDED HALOGEN BULBS	120 V, 50 W, GU10 BASE
WARRANTY	5 YEARS

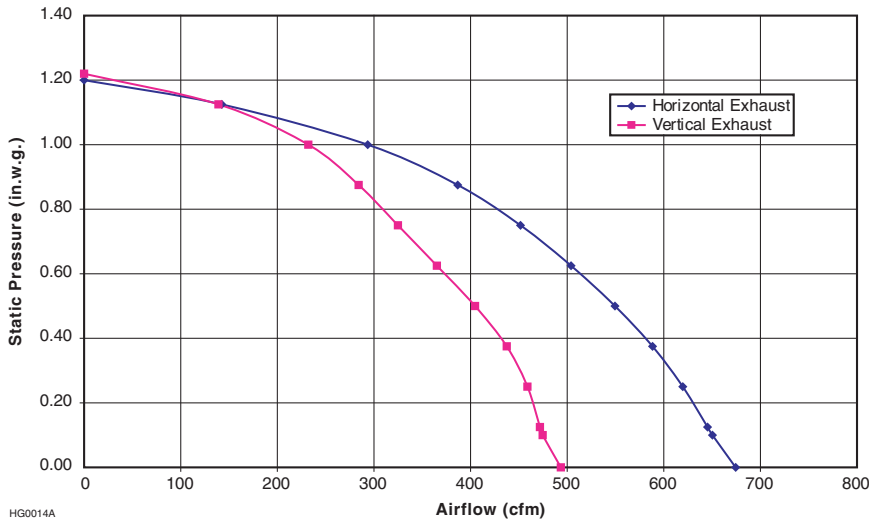
DIMENSIONS



REQUIREMENTS & STANDARDS

- Complies with the CSA C22.2 no. 113 Standard
- Complies with UL 507 requirements

AIR FLOW PERFORMANCE



HVI-2100 CERTIFIED RATINGS comply with new testing technologies and procedures prescribed by the Home Ventilating Institute, for off-the-shelf products, as they are available to consumers. Product performance is rated at 0.1 in. static pressure, based on tests conducted in AMCA's state-of-the-art test laboratory. Sones are a measure of humanly-perceived loudness, based on laboratory measurements.

www.venmar.ca
Venmar Ventilation inc., 550 Lemire Blvd., Drummondville, Québec, Canada J2C 7W9 - Tel.: 1-800-567-3855 Fax: 1-800-567-1715

PROJECT	REMARKS
LOCATION	
MODEL No.	
QTY.	
SUBMITTED BY	
DATE	