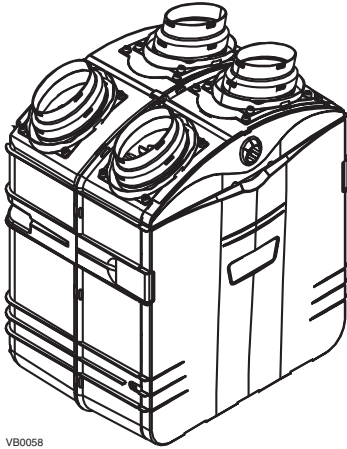




MODEL: HRV 2600*

Part No. HRV2600

50 cfm (Minimum speed)
to 104 cfm (Maximum speed)



VB0058

AIR EXCHANGER WITH HEAT RECOVERY

The HRV 2600 unit is much more than a regular air exchanger. In fact, the heat recovery core of the unit preheats the air coming from outside before being distributed throughout the home. This process ensures you and your family to enjoy comfortable healthy air.

- Ideal for new building projects
- Simple and easy installation to furnace ducting¹ or stand alone option (installation kit no. 15273 sold separately)
- The unit has ports on top, which fit both 5" or 6" round ducts, for more installation possibilities
- Cabinet integrated handles
- Only one outdoor connection (with the Tandem[®] transition, included in the installation kit no. 15273)
- A total of 104 cfm of fresh filtered air
- For houses up to 3,000 sq. ft.**
- The optional HEPA filter with antimicrobial protection is compatible with this unit
- 40415 Low voltage wall control with LCD screen included

¹One or two metal transition(s) (not included in the installation kit no. 15273) is (are) needed to perform the furnace connection.

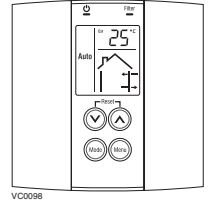
** For new constructions, refer to your local building code.

Available at:

WHOLE-HOUSE AIR EXCHANGER

Control

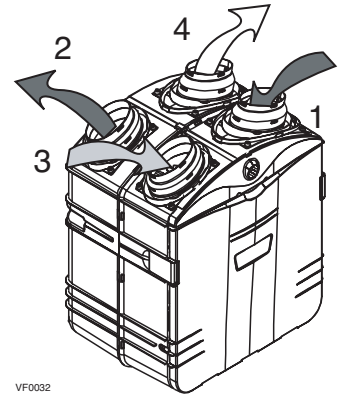
- The 40415 wall control (included) offers 4 operation modes: Maximum, Minimum, Automatic and Recirculation.
- Its backlight LCD screen with animated icons displays permanently the exterior temperature and allows to see in a wink the unit operating mode.
- Its user-friendly programming allows to customize the Automatic mode settings as well as the display (C or F degree and backlight duration).



VC0098

Air exchange and MERV** 8 filtration

1. Stale air from the house is drawn to the unit, and transfers its heat to the fresh incoming air.
2. The stale air is exhausted to the outside.
3. Fresh air from outside goes through the washable MERV** 8 foam filter which catches 25% of particles of 1 micron and above.
4. Fresh filtered air is distributed throughout the house.



VF0032

**MERV: Minimum Efficiency Reporting Value

Maintenance

Furthermore to its easy installation, the HRV 2600* is maintenance troublefree.

Once the front door is open, you directly access the heat recovery core. Slide out this core to access the washable MERV 8 foam filter. This filter should be washed every 6 months. The heat recovery core should be washed once a year.

No tools are required to perform the maintenance. Also, the motor is factory lubricated; there is no need to oil the motor.

Requirements and Standards

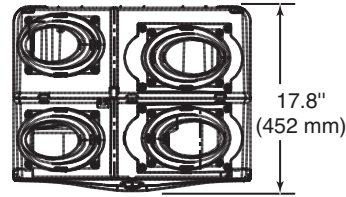
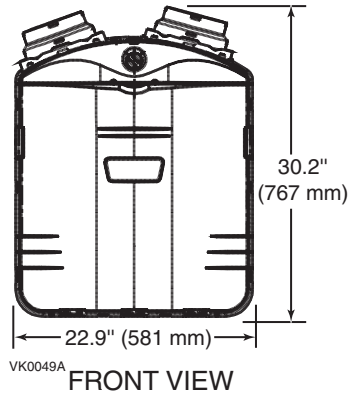
- Complies with CSA C22.2 No. 113-M1984
- Complies with UL 1812

Warranty

The HRV 2600* unit is fully protected by a 2-year warranty on all parts and labor in workshop, except for core filters and filter.

* Patent pending

Dimensions and Clearances: HRV 2600*

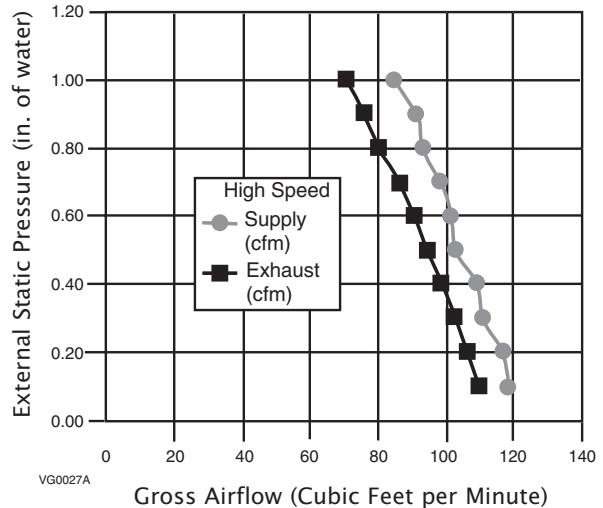


FRONT VIEW

TOP VIEW

Ventilation Performances

| EXT. STATIC PRESSURE | NET SUPPLY AIR FLOW | | | GROSS AIR FLOW | | | | | | | |
|----------------------|---------------------|-----------|-----|----------------|-------------------|--------|-----|-------------------|---------|-----|-------------------|
| | Pa | in. w. g. | l/s | cfm | m ³ /h | SUPPLY | | | EXHAUST | | |
| | | | | | | l/s | cfm | m ³ /h | l/s | cfm | m ³ /h |
| 25 | 0.1 | 53 | 114 | 191 | 56 | 119 | 202 | 52 | 110 | 187 | |
| 50 | 0.2 | 53 | 112 | 190 | 55 | 117 | 198 | 50 | 106 | 180 | |
| 75 | 0.3 | 50 | 106 | 180 | 52 | 111 | 187 | 48 | 103 | 173 | |
| 100 | 0.4 | 49 | 104 | 176 | 51 | 109 | 184 | 46 | 99 | 166 | |
| 125 | 0.5 | 46 | 99 | 166 | 49 | 103 | 177 | 45 | 95 | 162 | |
| 150 | 0.6 | 45 | 96 | 162 | 48 | 101 | 173 | 43 | 91 | 155 | |
| 175 | 0.7 | 44 | 93 | 158 | 46 | 98 | 166 | 41 | 87 | 148 | |
| 200 | 0.8 | 42 | 88 | 151 | 44 | 93 | 158 | 38 | 80 | 137 | |
| 225 | 0.9 | 41 | 87 | 148 | 43 | 91 | 155 | 36 | 76 | 130 | |
| 250 | 1.00 | 38 | 81 | 137 | 40 | 85 | 144 | 33 | 71 | 119 | |



Energy Performance

| SUPPLY TEMPERATURE | NET AIR FLOW | POWER CONSUMED | SENSIBLE RECOVERY EFFICIENCY | APPARENT SENSIBLE EFFECTIVENESS | NET MOISTURE TRANSFER | | | |
|--------------------|--------------|----------------|------------------------------|---------------------------------|-----------------------|---------------------------|-----|-------------------|
| | | | | | | l/s | cfm | m ³ /h |
| HEATING | | | | | | | | |
| 0 | +32 | 24 | 52 | 87 | 116 | 63 | 85 | 0,02 |
| 0 | +32 | 35 | 74 | 126 | 147 | 59 | 75 | 0,05 |
| 0 | +32 | 44 | 94 | 158 | 189 | 57 | 75 | 0,01 |
| -25 | -13 | 16 | 35 | 59 | 114 | 58 | 95 | 0,01 |
| COOLING | | | | | | | | |
| +35 | +95 | -- | -- | -- | | TOTAL RECOVERY EFFICIENCY | | |
| +35 | +95 | -- | -- | -- | | Not tested | | |



Specifications and ratings

- Model: HRV 2600
- Part No.: HRV2600
- Total Assembled weight: 41 lb (19 kg)
- Mounting: Suspension by chains and springs
- Cabinet: Rugged Plastic
- Motor and blower: 104 cfm, 3,300 rpm
- Oval ports of unit: fit 5" or 6" round ducts
- Filtration: One washable foam filter MERV 8, captures 25% of 1 micron and above particles.
- Wall control operating modes: Maximum, Minimum, Automatic and Recirculation
- Unit electrical characteristics:
 - Voltage: 120 volts
 - Power: 192 watts
 - Current: 1.6 amps
 - Frequency: 60 Hz

NOTE: All specifications are subjected to change without notice.

| | | | |
|---------------|------------|----------|-------------|
| Submitted by: | | Date: | Project: |
| Qty: | Model No.: | Remarks: | Location: |
| | | | Architect: |
| | | | Engineer: |
| | | | Contractor: |

