



VENMAR KUBIX™ ERV

Part no. 44112 (TOP PORTS)

Part no. 44113 (SIDE PORTS)

35 to 70 CFM (0.4 in. w.g.)



VB0177

THE KUBIX™ ERV: ENERGY RECOVERY IN A SMALL PACKAGE!

The Kubix™ ERV is the ideal choice for condominiums, apartments and other limited space applications that require up to 70 cfm of continuous ventilation. With its compact size and 4-inch vertical or horizontal ports, it can be installed in small spaces such as a closet or mechanical room above a hot water tank. The Kubix™ ERV has just one blower (patent pending) and is therefore quieter than any other similar ERV on the market. ERV technology is a great choice for summer ventilation with air conditioning in humid climates, and for dry homes in colder climates. Read more about ERV and HRV technology at www.venmar.ca.

- At just 34 lb (15.2 kg), it can be installed without opening the unit
- Features pressure taps, balancing dampers, integrated hooks and port straps to simplify installation
- Removable terminal block for quicker wall control connections

REPAIRS AND MAINTENANCE

All parts of the Kubix™ ERV that could need maintenance can be removed in less than five minutes, allowing direct access for easy repairs. The PSC motor is permanently lubricated.

WARRANTY

The Kubix™ ERV is protected by a 2-year warranty on parts only. The energy recovery core is covered by a 5-year warranty, with the original proof of purchase.

Available at:

ENERGY RECOVERY VENTILATOR

Controls

- This unit is very simple to operate: once it is installed, use its push button, located on the unit top left side, to select high speed, low speed or to stop it (the blower is off but will turn on in response to a wall control signal). The LED (located under the push button) will then show on which mode the unit is in.
- The following main wall controls are available:
 - Altitude programmable digital control with SMART mode no. 40440
 - Deco-Touch digital control no. 40395
 - Lite-Touch Constructo no. 40370
 - Simple-Touch Constructo no. 40390
 - Constructo no. 40350
- Also, up to 5 of the following auxiliary wall controls can be added:
 - 20-min. lighted push button no. 12030
 - 20/40/60-min. push button no. 03364
 - 60-min. crank timer no. 00910
 - Dehumidistat no. 11297

Options

- Complete line of registers and diffusers
- Exclusive wall mounting bracket no. 19255

Defrosting System

The Kubix™ ERV uses a unique recirculation defrost method, which maintains balanced air pressure in the home. If there is a call for ventilation from a wall control during the defrost cycle, the defrost is put "on hold" while air is exchanged, ensuring that no humid air is recirculated.

| OUTSIDE TEMPERATURE | | DEFROST CYCLE MIN./ OPERATING MIN. |
|---------------------|----------------|---------------------------------------|
| °C | °F | |
| WARMER THAN -5 | WARMER THAN 23 | NO DEFROST |
| -5 TO -27 | 23 TO -17 | 7/22 |
| -27 AND LESS | -17 AND LESS | 7/15 |

Energy Recovery Core

Dimensions: 10" x 10" x 5.5" (25.4 cm x 25.4 cm x 14 cm)

Exchange surface: 42.3 ft² (3.9 m²)

Weight: 8 lb (3.6 kg)

Material: Polymerized paper

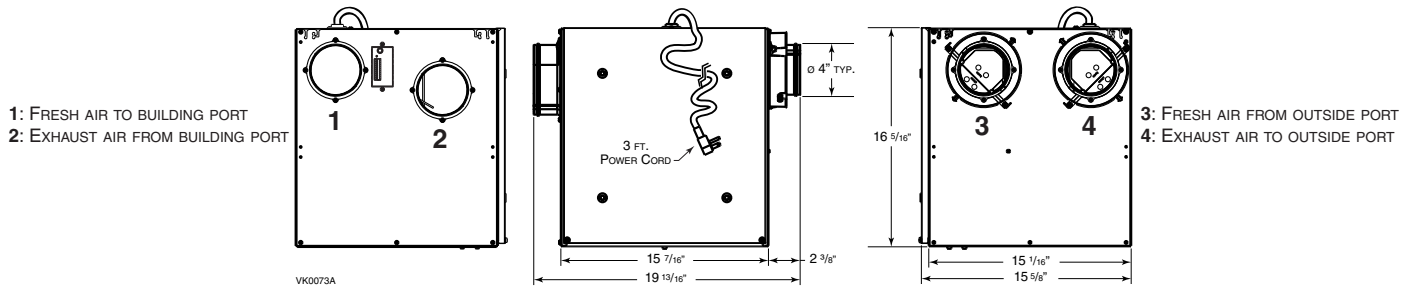
Type: Crossflow

Warranty: 5 years

Requirements and Standards

- Complies with the UL 1812 requirements regulating the installation of Energy Recovery Ventilators
- Complies with the CSA C22.2 no. 113 Standard applicable to ventilators
- Complies with CSA C444 requirements regulating the installation of Energy Recovery Ventilators
- Technical data was obtained from published results of tests relating to CSA C439 Standards
- HVI certified

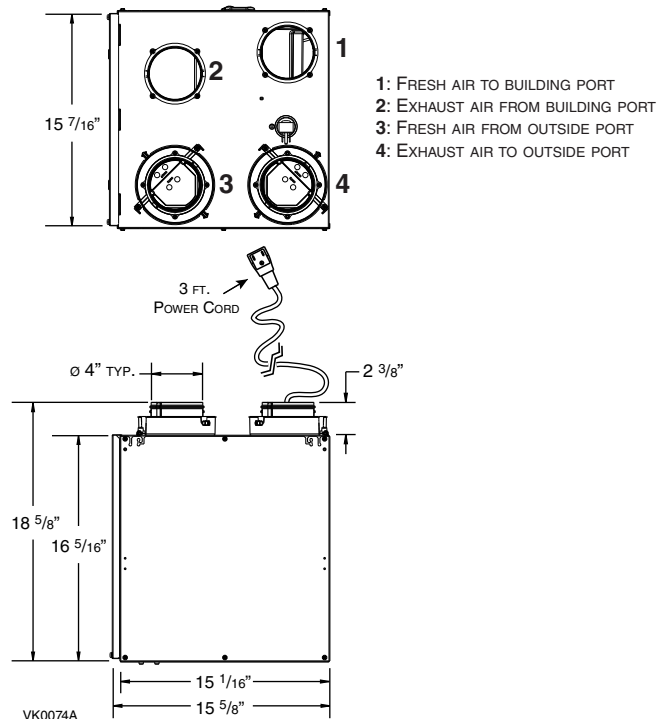
Dimensions: Kubix™ ERV (side ports)



Ventilation Performance

| EXT. STATIC PRESSURE | NET SUPPLY AIR FLOW | | | GROSS AIR FLOW | | | | | | |
|----------------------|---------------------|-----|-----|-------------------|-----|-----|-------------------|-----|-----|-------------------|
| | | | | SUPPLY | | | EXHAUST | | | |
| PA | IN. W.G. | L/S | CFM | M ³ /H | L/S | CFM | M ³ /H | L/S | CFM | M ³ /H |
| 25 | 0.1 | 39 | 82 | 139 | 39 | 84 | 143 | 39 | 83 | 141 |
| 50 | 0.2 | 37 | 78 | 133 | 38 | 80 | 136 | 37 | 79 | 134 |
| 75 | 0.3 | 35 | 75 | 127 | 36 | 77 | 131 | 35 | 75 | 127 |
| 100 | 0.4 | 33 | 70 | 119 | 34 | 72 | 122 | 34 | 71 | 121 |
| 125 | 0.5 | 32 | 67 | 114 | 33 | 69 | 117 | 32 | 67 | 114 |
| 150 | 0.6 | 29 | 62 | 105 | 30 | 64 | 109 | 29 | 61 | 104 |
| 175 | 0.7 | 28 | 59 | 100 | 28 | 60 | 102 | 27 | 57 | 97 |
| 200 | 0.8 | 26 | 55 | 93 | 26 | 56 | 95 | 24 | 52 | 88 |

Kubix™ ERV (top ports)



Energy Performance

| SUPPLY TEMPERATURE | | NET AIR FLOW | | | POWER CONSUMED WATTS | SENSIBLE RECOVERY EFFICIENCY | APPARENT SENSIBLE EFFECTIVENESS | LATENT RECOVERY/MOISTURE TRANSFER |
|--------------------|-----|--------------|-----|-------------------|----------------------|------------------------------|---------------------------------|-----------------------------------|
| °C | °F | L/S | CFM | M ³ /H | | | | |
| HEATING | | | | | | | | |
| 0 | 32 | 17 | 35 | 60 | 34 | 66 | 77 | 0.59 |
| 0 | 32 | 30 | 64 | 109 | 50 | 60 | 69 | 0.54 |
| -25 | -13 | 17 | 36 | 61 | 43 | 56 | 75 | 0.55 |
| COOLING | | | | | | | | |
| 35 | 95 | 17 | 36 | 61 | 34 | TOTAL RECOVERY EFFICIENCY | | 50 |

NOTE: All specifications are subject to change without notice.

Specifications and Ratings

- Model: Kubix™ ERV
- Part Number top ports: 44112
- Part Number side ports: 44113
- Total Assembled Weight (including polymerized paper core): 34 lb (15.2 kg)
- Round 4" ducts
- Core filters: 2 washable Merv 6 9.2" x 5.75" x 0.38" (23.4 cm x 16.6 cm x 1 cm)
- Housing: Pre-painted steel
- Insulation: Expanded polystyrene
- Mounting: Suspension by chains and springs or optional wall bracket
- Supply & Exhaust Blower Motor: 1 motor
 - Protection type: Thermally protected
 - Insulation class: B
- Speed Control on unit: Low & High speed. Other modes available with main and auxiliary wall controls
- Energy Recovery Core:
 - Heat Exchange Surface Area: 42.3 ft² (3.9 m²)
 - Type: Crossflow
 - Material: Polymerized paper
- Unit Electrical Characteristics:

| Volts | Frequency | Ampere | Watts |
|-------|-----------|--------|-------|
| 120 | 60 Hz | 0.5 | 60 |

| PROJECT: | REMARKS |
|---------------|---------|
| LOCATION: | |
| MODEL NO.: | |
| QTY.: | |
| SUBMITTED BY: | DATE: |



Residential Product Group, 550 Lemire Blvd., Drummondville, QC, Canada J2C 7W9 - Tel.: 1-800-567-3855 Fax: 1-800-567-1715



www.venmar.ca

KubixERVd120703