



VENMAR AVS NOVOFIT 2.0

Part no. 45121

128 to 208 CFM (0.3 in. w.g.)
117 to 189 CFM (0.4 in. w.g.)



VB0104

NOVOFIT SERIES: ALL THE HRV FEATURES REQUIRED BY NOVOCLIMAT™*

The contractor's priority is to offer affordable improved indoor air quality to the customer. The Venmar AVS Novofit Series is the answer to the new Novoclimat residential construction requirements. Those Heat Recovery Ventilators offer all the basic features for the new construction market, such as a small-sized housing, integrated balancing damper and a no negative pressure defrost that ensures quick installation and trouble-free operation. Best price for builders and contractors requiring simple, affordable and reliable products.

*Novoclimat is a program of the Agence de l'efficacité énergétique du Québec.

- **Microprocessors:** A proven technology known for its reliability which allows the elimination of numerous electromechanical parts that are most likely to break down
- **Warranty:** 2 years on all unit parts and a lifetime warranty on the heat recovery core

Quiet ventilation is a priority for homeowners and builders. The Venmar AVS Novofit Series provides the quietest operation.

- **The SilentSure™ operation system,** a unique design which allows the motor located at the exhaust port, to blow air into the house through an integrated silencer in the unit
- **The motor attachment** located in the center of the unit prevents any vibration

Available at:

HEAT RECOVERY VENTILATOR

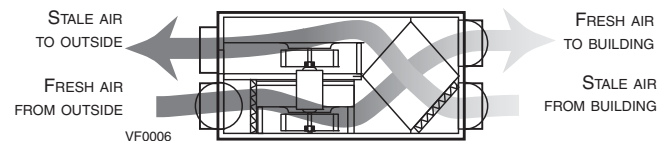
Controls

- The following main controls are available:
 - Altitude programmable digital control with Smart mode no. 40440
 - Deco-Touch digital control no. 40395
- Also, 1 to 5 of the following optional controls can be added:
 - 20/40/60-min. Push-Button Timer no. 03364
 - 60-min. Mechanical Timer no. 00910

Option

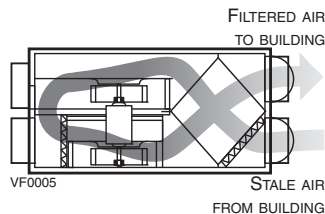
- Complete line of registers and diffusers

Airflow During Air Exchange



Homeshield™ Defrosting System

The AVS NOVOFIT uses a unique defrosting method. No negative pressure is created by air exhausted to the outside, as the air is recirculated into the house, helping to prevent any backdraft.



OUTSIDE TEMPERATURE		DEFROST CYCLE DEFROSTING MIN./ OPERATING MIN.
°C	°F	
WARMER THAN -5	WARMER THAN 23	NO DEFROST
-5 TO -27	23 TO -17	6/32
-27 & LESS	-17 & LESS	6/20

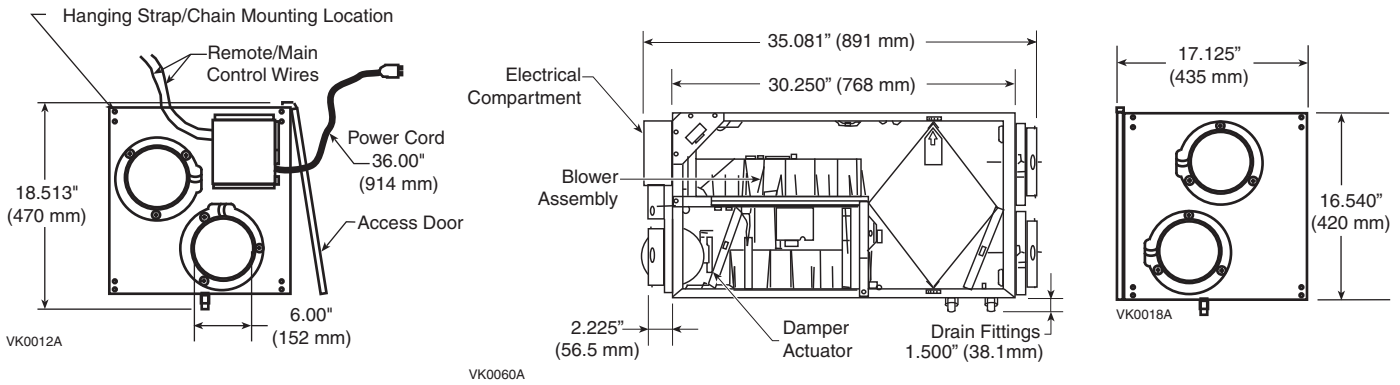
Heat Recovery Core

Dimensions: 12" x 14" x 15½" (30.5 cm x 35.5 cm x 39.4 cm)
Exchange surface: 102 ft² (9.54 m²)
Weight: 6.2 lb (2.8 kg)
Material: Polypropylene
Type: Crossflow core
Warranty: Limited lifetime

Requirements and Standards

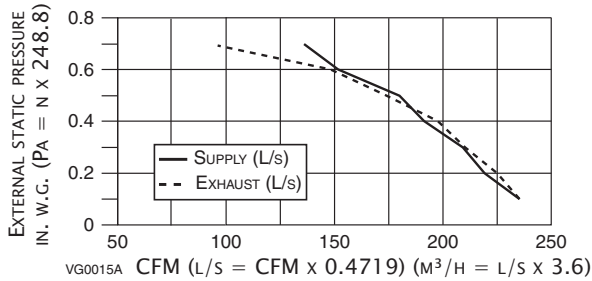
- Complies with the UL 1812 requirements regulating the installation of Heat Recovery Ventilators
- Complies with the CSA C22.2 no. 113 Standard applicable to ventilators
- Complies with CSA F326 requirements regulating the installation of Heat Recovery Ventilators
- HVI certified
- Technical data was obtained from published results of tests relating to CSA C439 Standards

Dimensions: Venmar AVS NOVOFIT 2.0



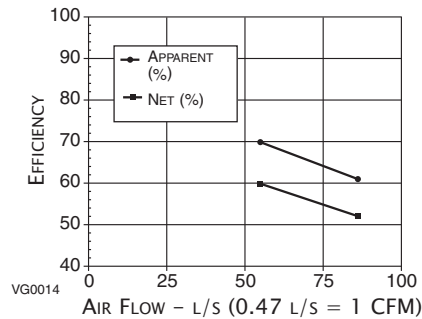
Ventilation Performance

EXT. STATIC PRESSURE	NET SUPPLY AIR FLOW			GROSS AIR FLOW						
				SUPPLY			EXHAUST			
PA	IN. W.G.	L/S	CFM	M ³ /H	L/S	CFM	M ³ /H	L/S	CFM	M ³ /H
25	0.1	110	234	396	112	237	403	112	237	403
50	0.2	103	219	374	105	223	378	106	225	382
75	0.3	98	208	353	100	211	360	99	210	356
100	0.4	89	189	320	91	192	328	91	193	328
125	0.5	84	177	302	85	180	306	82	174	295
150	0.6	71	151	256	72	153	259	70	149	252
175	0.7	64	136	230	65	138	234	44	94	158



Energy Performance

SUPPLY TEMPERATURE		NET AIR FLOW			POWER CONSUMED WATTS	SENSIBLE RECOVERY EFFICIENCY	APPARENT SENSIBLE EFFECTIVENESS	LATENT/RECOVERY MOISTURE TRANSFER
°C	°F	L/S	CFM	M ³ /H				
HEATING								
0	32	31	66	112	85	69	81	-0.01
0	32	56	119	202	124	60	70	-0.01
0	32	86	182	310	197	53	62	-0.01
-25	-13	34	72	133	114	62	80	0.08
COOLING						TOTAL RECOVERY EFFICIENCY		
35	95	-	-	-	-	NOT TESTED		



NOTE: All specifications are subject to change without notice.

Specifications and Ratings

- Model: AVS NOVOFIT 2.0
- Part Number: 45120
- Total assembled weight including polypropylene core: 67 lb (30.5 Kg)
- Supply and Exhaust air duct connections: 6" (15.24 cm) diameter
- Drains: 1/2" (1.2 cm) fittings with 10 ft (3 m) PVC drain
- Filters: 15 ppi washable reticulated foam 15.375" x 7.125" x 0.75" (39 cm x 18 cm x 1.9 cm)

- Housing: Pre-painted steel
- Insulation: 1" (2.54 cm) aluminum foil faced fiberglass, 0.825" (2.1 cm) expanded polystyrene
- Mounting: Suspension by chains and springs
- Supply and Exhaust blower motor: 1 motor
 - Protection type: Thermally protected
 - Insulation class: B

- Fan speed Control:
 - Low or increased low & high speed
 - Two speeds available for the user
 - Low or increased low speed is selected at the time of installation
- Heat Recovery Core:
 - Heat exchange surface area: 102 ft² (9.54 m²)
 - Type/Material: Crossflow/Polypropylene
- Unit electrical characteristics:

Volts	Freq.	Amperes	Watts	IP
120	60 Hz	2.1	240	-

PROJECT:	REMARKS
LOCATION:	
MODEL NO.:	
QTY.:	
SUBMITTED BY: _____	DATE: _____



Residential Product Group, 550 Lemire Blvd., Drummondville, QC, Canada J2C 7W9 - Tel.: 1-800-567-3855 Fax: 1-800-567-1715



www.venmar.ca

12/03

PRODUCT SHEET NO. 91198