



## **GLASS PANELS INSTALLATION INSTRUCTIONS**

**APPLIES TO THE FOLLOWING RANGE HOOD SERIES  
C700, CC700, CIC700, CIS700,  
IU600ES, IB700, IC700, IC700ES,  
IK700 AND IS700**



7 72371 11649 8

Venmar Ventilation Inc., 550 Lemire Blvd.  
Drummondville QC J2C 7W9  
1-800-567-3855  
[www.venmar.ca](http://www.venmar.ca)

09530 Rev. 02

## WARNING

- IT IS RECOMMENDED TO WEAR SAFETY GLASSES AND GLOVES WHILE PERFORMING THESE INSTRUCTIONS.
- HANDLE GLASS PANEL WITH CARE.
- ALL TEMPERED GLASS CAN EXPERIENCE SPONTANEOUS BREAKAGE. IF BROKEN, TEMPERED GLASS FALLS OUT OF IT'S OPENING IN INTERLOCKING CLUMPS. TEMPERED GLASS CAN, ON OCCASION, BREAK INTO LARGE SHARDS RATHER THAN THE CLASSIC TINY PIECE PATTERN.
- RISK OF ELECTRICAL SHOCK. BEFORE INSTALLING OR REPLACING THE GLASS PANEL, SWITCH POWER OFF AT SERVICE PANEL AND LOCK SERVICE DISCONNECTING MEANS TO PREVENT POWER FROM BEING SWITCHED ON ACCIDENTALLY.

## CAUTION

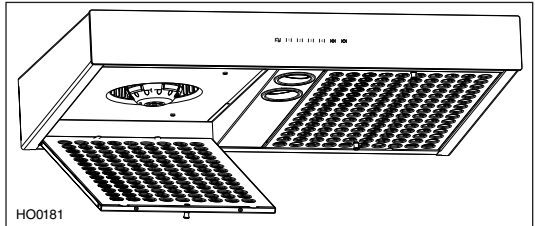
AFTER A POWER FAILURE OR DURING THE RANGE HOOD POWER UP, A 5-SECOND BOOTING SEQUENCE IS EXECUTED. WAIT FOR THE CONTROL BACKLIGHTING TO TURN OFF BEFORE USE.

### C700 SERIES

IF THE RANGE HOOD IS NOT INSTALLED YET, REFER TO STEP 4 OF THE HOOD INSTALLATION GUIDE.

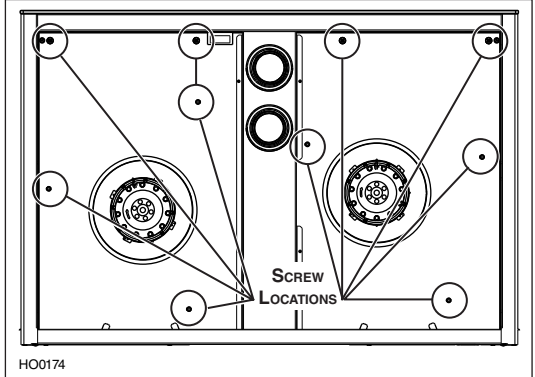
IF THE RANGE HOOD IS ALREADY INSTALLED, FOLLOW THESE STEPS:

- 1 Remove filters by pushing them towards the back of the hood and tilting them down. Set the filters aside.

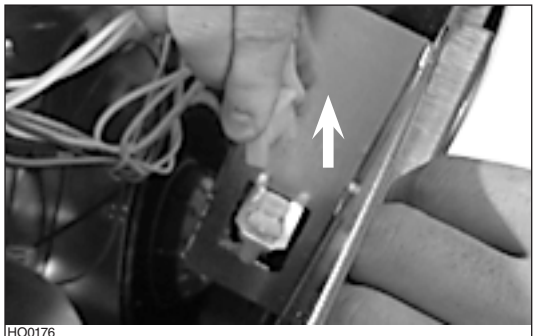


- 2 Remove the bottom panel 10 retaining screws and set aside.

NOTE: Both light assemblies will have to be disconnected in order to remove the bottom panel (see step 3).



- 3 Slightly pull the bottom panel out. Press on tabs and pull to disconnect both light assemblies electrical harnesses from light connectors. Slide bottom panel out and set aside.



## C700 SERIES (CONT'D)

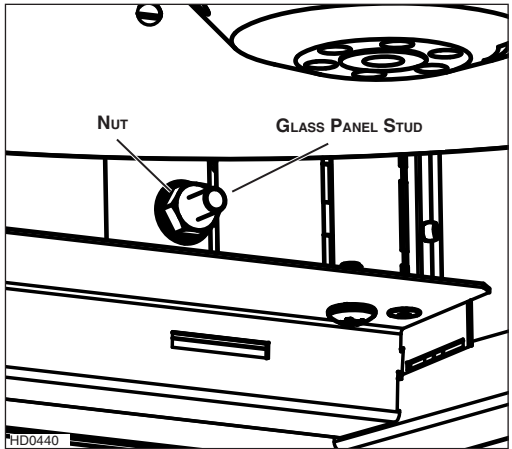
- Carefully remove the new glass panel from its packaging. Remove new glass panel nuts (factory installed) from both studs and set aside.

- If need be, remove current glass panel retaining nuts from both studs. Discard glass panel and nuts.

Insert new glass panel studs in hood front holes.

While holding glass panel, pre-tighten previously removed nuts by hand. Ensure glass panel is flush with top of hood and centered from side-to-side.

Then, using a 3/8" socket, tighten nuts completely.



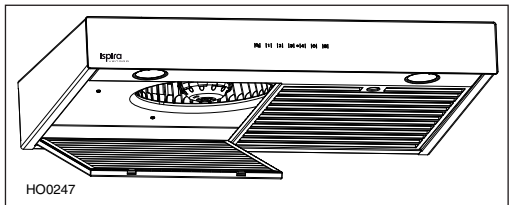
- Insert bottom panel in the back of the hood and reconnect each light assembly electrical harness to its light connector.
- Secure bottom panel to the hood, using the 10 previously removed screws.
- Reinstall baffle filters.

## IU600ES SERIES

**IF THE RANGE HOOD IS NOT INSTALLED YET, REFER TO STEP 4 OF THE HOOD INSTALLATION GUIDE.**

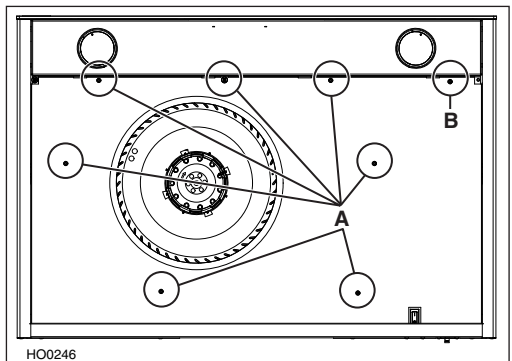
**IF THE RANGE HOOD IS ALREADY INSTALLED, FOLLOW THESE STEPS:**

- Remove filters by pushing them towards the back of the hood and tilting them down. Set the filters aside.



- FOR 30" WIDE HOODS:**  
Remove the **7 screws (A only)** retaining the bottom panel, and set aside.

**FOR 36" WIDE HOODS:**  
Remove the **8 screws (A and B)** retaining the bottom panel and set aside.



- Carefully remove the glass panel from its packaging. Remove new glass panel nuts (factory installed) from both studs and set aside.

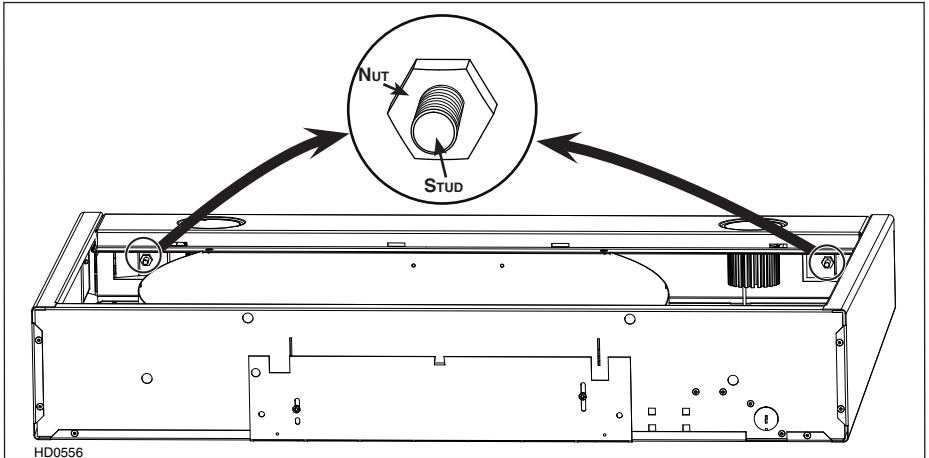
## IU600ES SERIES (CONT'D)

- 4 If need be, remove current glass panel retaining nuts from both studs. Discard glass panel and nuts.

Insert new glass panel studs in hood front holes.

While holding glass panel, pre-tighten previously removed nuts by hand. Ensure glass panel is flush with top of hood and centered from side-to-side.

Then, using a 3/8" socket, tighten nuts completely.



- 5 Reinstall the bottom panel to the hood, using 7 or 8 screws previously removed in step 2.
- 6 Reinstall filters.

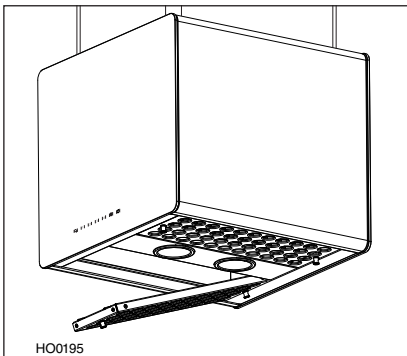
## CIC700 AND IK700 SERIES

**FOR EACH GLASS PANEL, IF THE RANGE HOOD IS NOT INSTALLED YET, REFER TO STEP 6 (CIC700 SERIES) OR STEP 8 (IK700 SERIES) OF THE HOOD INSTALLATION GUIDE.**

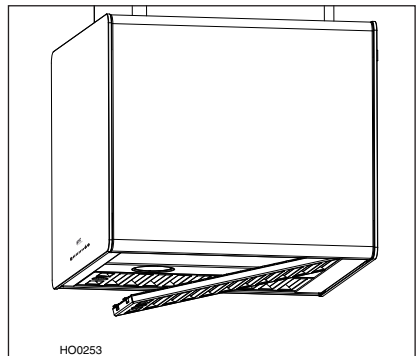
**IF THE RANGE HOOD IS ALREADY INSTALLED, FOLLOW THESE STEPS:**

- 1 Remove filters by pushing them towards the back (opposite control side) of the hood and tilting them down. Set the filters aside.

### CIC700 SERIES



### IK700 SERIES



- 2 Carefully remove the glass panel from its packaging. Remove new glass panel nuts (factory installed) from both studs and set aside.

## CIC700 AND IK700 SERIES (CONT'D)

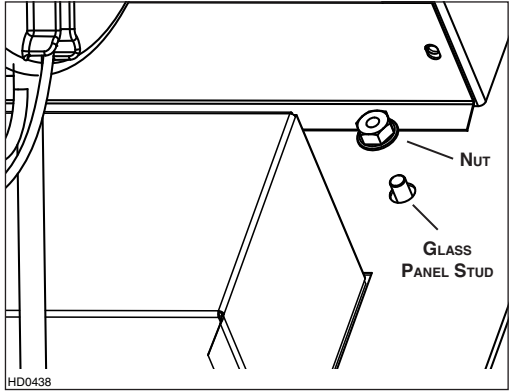
- 3 If need be, remove current glass panel retaining nuts from both studs. Discard glass panel and nuts.

Insert new glass panel studs in appropriate hood holes (some parts not illustrated to ease understanding).

NOTE: Install the glass panel with the control pictogram on the front of the hood.

While holding glass panel, pre-tighten previously removed nuts by hand. Ensure glass panel is centered.

Then, using a 3/8" socket, tighten nuts completely.



- 4 Reinstall filters.

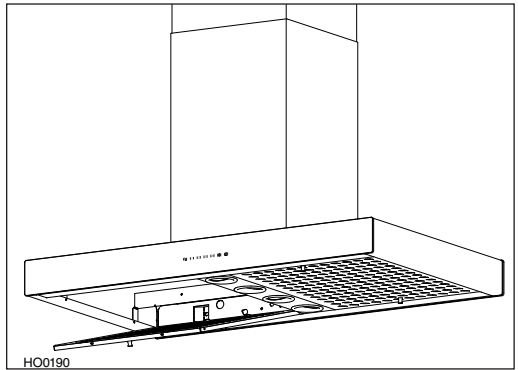
## CC700 AND CIS700 SERIES

IF THE RANGE HOOD IS NOT INSTALLED YET, REFER TO STEP 4 (CC700 SERIES) OR STEP 6 (CIS700 SERIES) OF THE HOOD INSTALLATION GUIDE.

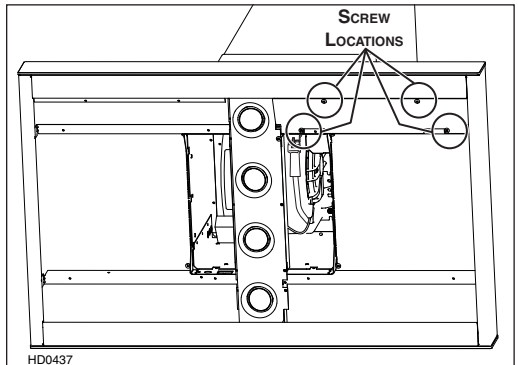
IF THE RANGE HOOD IS ALREADY INSTALLED, FOLLOW THESE STEPS:

- 1 Remove filters by pushing them towards the back (opposite control side) of the hood and tilting them down. Set the filters aside.

NOTE: CIS700 Series illustrated at right and below; some details of your hood may be slightly different from the ones shown.



- 2 Using a Robertson or a Phillips no. 2 screwdriver, remove the 4 electrical compartment cover retaining screws. Set cover and screws aside.



## CC700 AND CIS700 SERIES (CONT'D)

- 3 Carefully remove the glass panel from its packaging. Remove new glass panel nuts (factory installed) from both studs and set aside.

- 4 If need be, remove current glass panel retaining nuts from both studs. Discard glass panel and nuts.

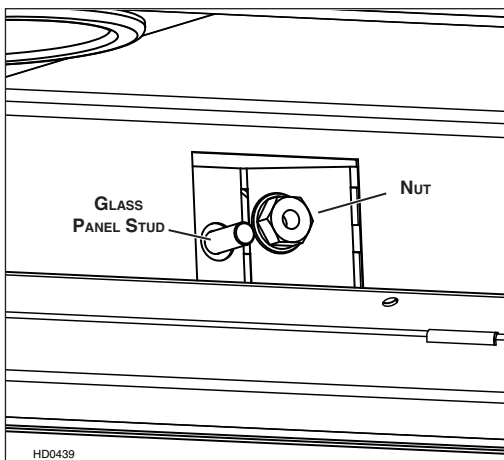
Insert new glass panel studs in appropriate hood holes.

NOTE: For CIS700 Series, install the glass panel with the control pictogram on the front of the hood.

While holding glass panel, pre-tighten previously removed nuts by hand. Ensure glass panel is centered.

Then, using a 3/8" socket, tighten nuts completely.

- 5 Repeat steps 3 and 4 for the second glass panel installation.



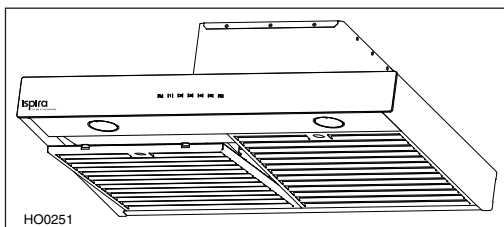
- 6 Reinstall electrical compartment cover and baffle filters.

## IB700, IC700 AND IC700ES SERIES

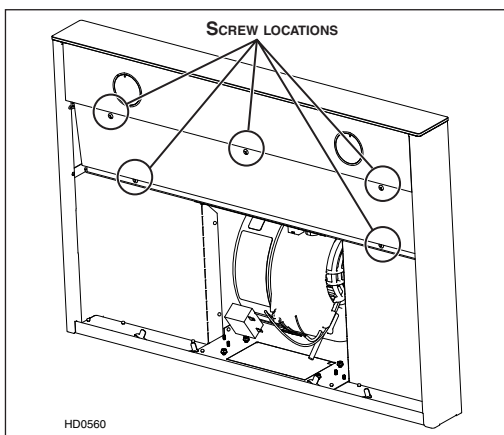
IF THE RANGE HOOD IS NOT INSTALLED YET, REFER TO STEP 4 OF THE HOOD INSTALLATION GUIDE.

IF THE RANGE HOOD IS ALREADY INSTALLED, FOLLOW THESE STEPS:

- 1 Remove filters by pushing them towards the back (opposite control side) of the hood and tilting them down. Set the filters aside.



- 2 Using a Robertson or a Phillips no. 2 screwdriver, remove the 5 electrical compartment cover retaining screws. Set cover and screws aside.



## IB700, IC700 AND IC700ES SERIES (CONT'D)

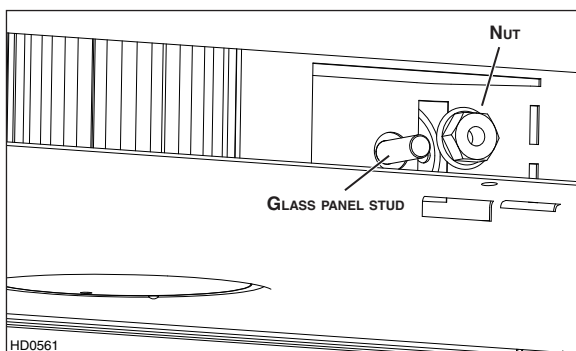
- 3 Carefully remove the glass panel from its packaging. Remove new glass panel nuts (factory installed) from both studs and set aside.

- 4 If need be, remove current glass panel retaining nuts from both studs. Discard glass panel and nuts.

Insert new glass panel studs in appropriate hood holes.

While holding glass panel, pre-tighten previously removed nuts by hand. Ensure glass panel is centered.

Then, using a 3/8" socket, tighten nuts completely.



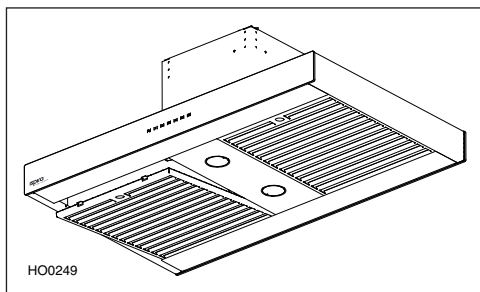
- 5 Reinstall electrical compartment cover and filters.

## IS700 SERIES

**IF THE RANGE HOOD IS NOT INSTALLED YET, REFER TO STEP 7 OF THE HOOD INSTALLATION GUIDE.**

**IF THE RANGE HOOD IS ALREADY INSTALLED, FOLLOW THESE STEPS:**

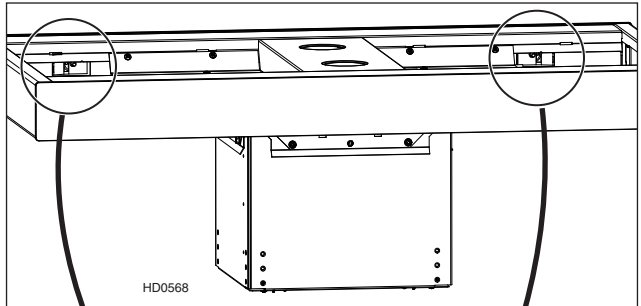
- 1 Remove filters by pushing them towards the back (opposite control side) of the hood and tilting them down. Set the filters aside.



- 2 Carefully remove the glass panel from its packaging. Remove new glass panel nuts (factory installed) from both studs and set aside.

## IS700 SERIES (CONT'D)

### FRONT GLASS PANEL STUDS LOCATION



- ③ If need be, remove current glass panel retaining nuts from both studs. Discard glass panel and nuts.

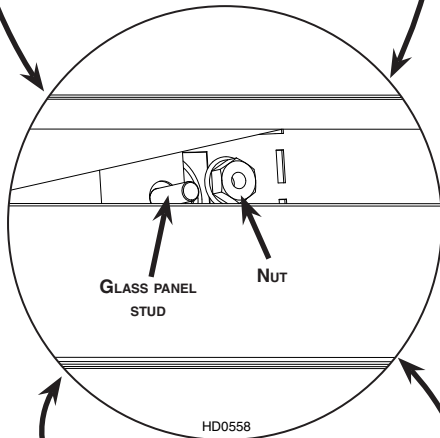
Insert new glass panel studs in appropriate hood holes.

NOTE: Install the glass panel with the control pictograms on the front of the hood.

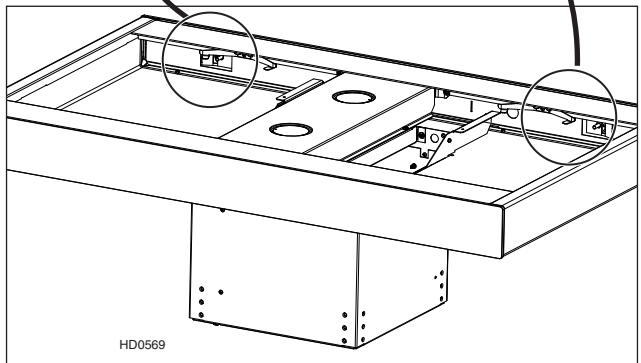
While holding glass panel, pre-tighten previously removed nuts by hand. Ensure glass panel is centered.

Then, using a 3/8" socket, tighten nuts completely.

- ④ Repeat steps ② and ③ for the second glass panel installation.



### REAR GLASS PANEL STUDS LOCATION



- ⑤ Reinstall filters.