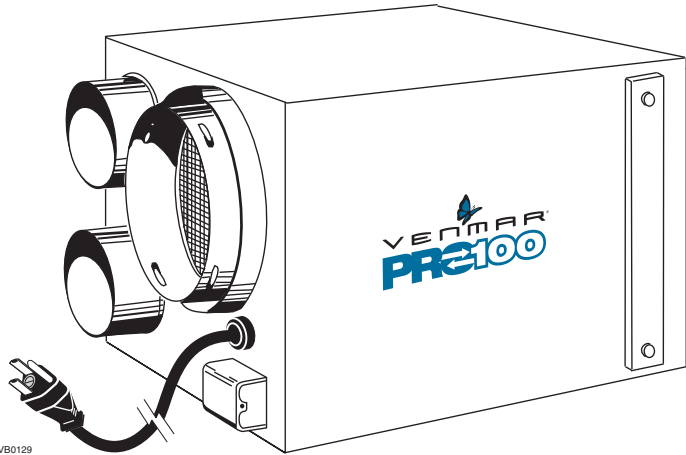




VENMAR PRO 100



VB0129

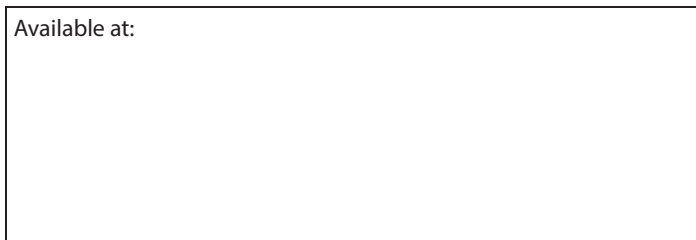
THE MOST ECONOMICAL OF ALL; UNIT EXCLUSIVELY AVAILABLE TO CONTRACTORS

Recognized for its unsurpassed quality and superior craftsmanship, the PRO 100 offers the essential features to ensure a good ventilation and control the humidity level, thus improving Indoor Air Quality of your house.

- Plug-in module, simplifying the installation
- Intake and exhaust ports for indoor air have a 6" (15 cm) diameter, to facilitate the installation
- User friendly and easy maintenance
- Quick installation for all types of houses
- Mechanical air filtration by a washable filter

The PRO 100 air exchanger controls excess humidity in the house, thus reducing risk of condensation in windows. The installation for this ventilation system is quick and easy for all types of houses.

Available at:

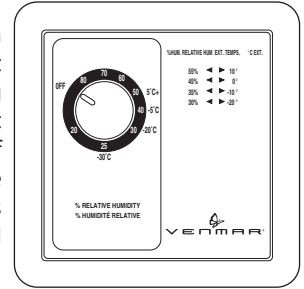


AIR EXCHANGER

Control

- The PRO 100 air exchanger is ready to receive control no. 11136 (included in the box).

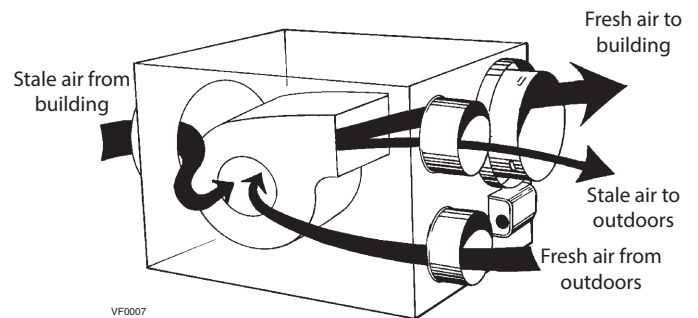
This wall control works with a dehumidistat that allows you to select the desired level of humidity according to your needs. If the selector is set above the click, the unit will stop. If the selector is set below the click, the unit will exchange with the outdoors on high speed until the desired humidity level has been reached.



VC0022

Control no. 11136

Air flow during exchange



VF0007

Inside damper open

Warranty

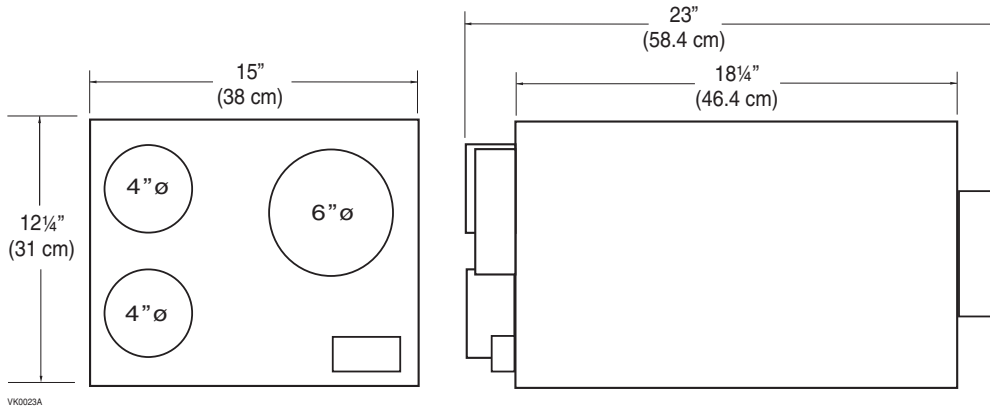
The PRO 100 is fully protected by a 2-year warranty on all parts and labor in workshop only.

Home servicing is offered when the unit is installed by a Venmar Recommended Installer.

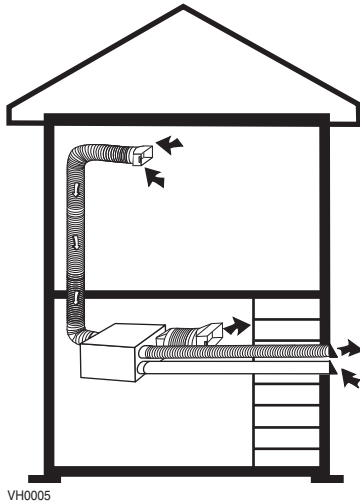
Requirement and Standard

- Complies with the CSA C22.2 no. 113 Standard applicable to ventilators.

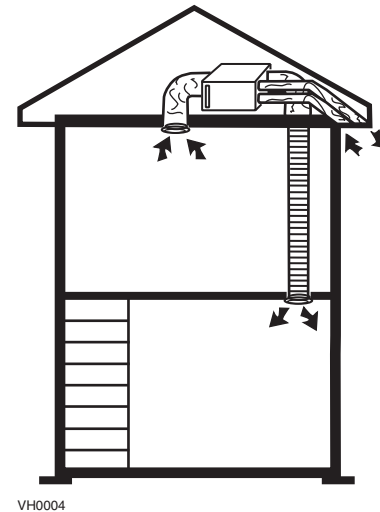
Dimensions and Clearances: Venmar PRO 100



Basement Installation



Attic Installation*



* It is not recommended to install this model in the attic. If this should absolutely be done, the unit must always be in the exchange mode during cold season.

Specifications and Rating

- Model: PRO 100
- Total Assembled Weight: 40 lb. (18 kg)
- Supply Air Duct Connections:
 - Stale Air: 4" (10 cm)
 - Fresh Air: 6" (15.25 cm)
- Exhaust Air Duct Connections:
 - Stale Air: 6" (15.25 cm)
 - Fresh Air: 4" (10 cm)
- Filter: 1 mechanical filter
- Cabinet: pre-painted steel
- Dimensions: 23" x 12 1/4" x 15" (58.4 cm x 31 cm x 38 cm)
- Fresh Air Intake Air Flow: 30 to 50 CFM (15 to 25 l/s)
- Stale Air Exhaust Air Flow: 80 CFM (40 l/s)
- Intake and Exhaust Interior Airflow: 160 CFM (75 l/s)
- Control with one operating mode: 120 volts
- Wall Control Available Modes: exchange or stop
- Unit Electrical Characteristics:

Voltage	Power	Current
120 V	200 W	3 Amps

Project:	REMARKS
Location:	
Model no.: PRO100	
Quantity:	
Submitted by _____ Date: _____	



Residential Products Group, 550 Lemire Blvd., Drummondville, QC, Canada J2C 7W9 - Tel.: 1-800-567-3855 Fax: 1-800-567-1715

www.venmar.ca

90615 (14_12)

