



**Venmar PRO225**  
**Produit n° PRO225**

67 to 130 CFM (0.4 in. w.g.)



VB0120

**DISCOVER THE NEW ECO-EFFICIENT VENMAR AIR EXCHANGER PRO225, AVAILABLE EXCLUSIVELY TO CONTRACTORS**

When installed by a professional, the Venmar PRO225 air exchanger meets the strictest requirements of government eco-efficient programs in North America and complies with the latest construction industry standards for new homes.

Of all air exchangers available on the retail market, the PRO225 air exchanger delivers the best energy performance in terms of ventilation and heat recovery.

- Faster and easier installation of insulated flexible ducts with practical straps (exclusive to Venmar)
- Integrated balancing dampers (exclusive to Venmar)
- Easy to access electronic module
- Homeshield™ defrosting system
- Heat recovery core offers greater comfort
- High-pressure blowers
- Integrated draining system
- ENERGY STAR® qualified

**REPAIRS AND MAINTENANCE**

The PRO225 HRV low power consumption PSC motors are permanently lubricated. The electronic circuit board eliminates electromechanical parts, reducing repair time to a minimum.

**WARRANTY**

The PRO225 unit is protected by a complete 2-year warranty on all parts and labor in workshop only.

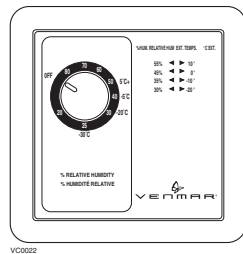
The heat recovery core is covered by a limited lifetime warranty, with the original proof of purchase.

Available at:

**HEAT RECOVERY VENTILATOR**

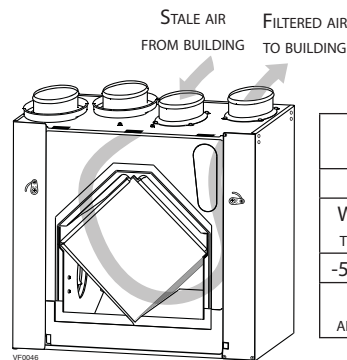
**Controls**

- This unit is very simple to operate. Once it is installed, press on its push button, located under the unit, to activate it. Press once for low speed, once again for high speed, and once more to stop it.
- The 11136 control is included with the PRO225 unit. This control works with a dehumidistat that allows you to control the excess of humidity. If the selector is set above the click, the unit will stop and if it is set below the click, the unit will exchange on high speed with the outdoor until the desired humidity level has been reached.
- The optional 20-min. lighted push-button bathroom control, no. 12030, can be added.



**Homeshield™ Defrosting System**

The PRO225 HRV uses a unique defrosting method. No negative pressure is created by air exhausted to the outdoors, as the air is recirculated into the house, thus avoiding any backdraft from the chimney. Moreover, this defrost method by air circulation ensures that no shortage of air is created for the combustion units.



OUTDOOR TEMPERATURE		DEFROST CYCLE DEFROSTING MIN./ OPERATING MIN.
°C	°F	
WARMER THAN -5	WARMER THAN 23	PAS DE DÉGIVRAGE
-5 TO -27	23 TO -17	7/25
-27 AND LESS	-17 AND LESS	10/22

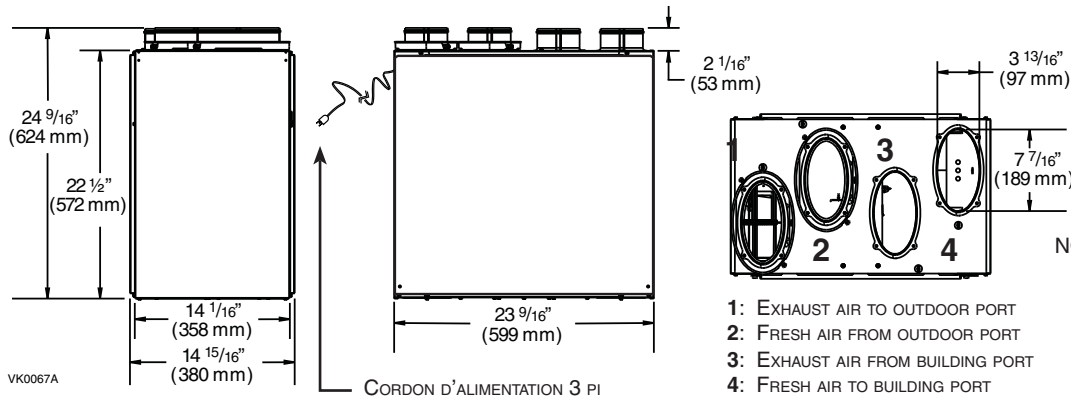
**Heat Recovery Core**

Dimensions: 10" x 10" x 14.25" (25.4 cm x 25.4 cm x 36.2 cm)  
 Exchange surface: 100 ft² (9.3 m²)  
 Weight: 7.36 lb (3.3 kg)  
 Material: Polypropylene  
 Type: Cross flow  
 Warranty: Limited lifetime

**Requirements and Standards**

- Complies with the UL 1812 requirements regulating the installation of Heat Recovery Ventilators.
- Complies with the CSA C22.2 no. 113 Standard applicable to ventilators
- Complies with CSA C444 requirements regulating the installation of Heat Recovery Ventilators
- Technical data was obtained from published results of tests relating to CSA C439 Standards
- HVI certified and ENERGY STAR® qualified

## DIMENSIONS AND SERVICE CLEARANCES: PRO225

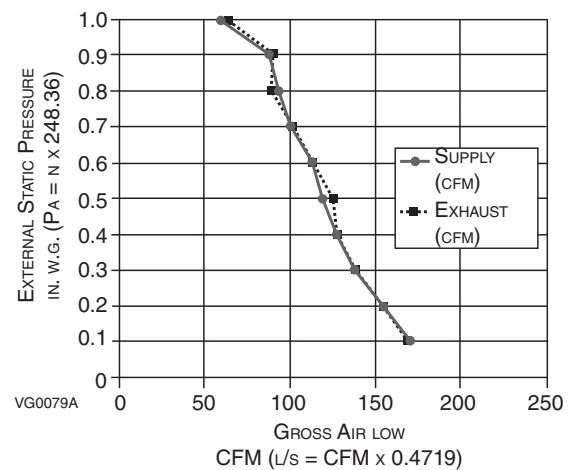


NOTE: ALL UNITS PORTS WERE CREATED TO BE CONNECTED TO DUCTS HAVING A MINIMUM OF 6" DIAMETER, BUT IF NEED BE, THEY CAN BE CONNECTED TO BIGGER SIZED DUCTS BY USING AN APPROPRIATE TRANSITION (E.G.: 6" DIAMETER TO 7" DIAMETER TRANSITION).

- 1: EXHAUST AIR TO OUTDOOR PORT
- 2: FRESH AIR FROM OUTDOOR PORT
- 3: EXHAUST AIR FROM BUILDING PORT
- 4: FRESH AIR TO BUILDING PORT

## VENTILATION PERFORMANCE

EXTERNAL STATIC PRESSURE		NET SUPPLY AIR FLOW		GROSS AIR FLOW			
Pa	in. w.g.	l/s	CFM	SUPPLY		EXHAUST	
Pa	in. w.g.	l/s	CFM	l/s	CFM	l/s	CFM
25	0.1	76	161	77	163	77	162
50	0.2	72	152	72	153	72	152
75	0.3	67	142	68	143	67	141
100	0.4	62	131	63	132	62	131
125	0.5	56	119	56	119	58	123
150	0.6	52	110	53	111	53	111
175	0.7	46	98	47	99	48	100
200	0.8	40	84	40	84	41	87
225	0.9	34	72	34	73	36	77
250	1.0	28	59	28	59	29	62



## ENERGY PERFORMANCE

SUPPLY TEMPERATURE		NET AIR FLOW		POWER CONSUMED	SENSIBLE RECOVERY EFFICIENCY	APPARENT SENSIBLE EFFECTIVENESS	LATENT/RECOVERY MOISTURE TRANSFER
°C	°F	l/s	CFM	WATTS			
HEATING							
0	32	32	67	56	70	78	0.00
0	32	40	86	64	68	75	0.01
0	32	56	120	86	64	70	0.01
-25	-13	30	63	79	61	83	0.01

NOTE: All specifications are subject to change without notice.

## SPECIFICATIONS AND RATINGS

- Model: PRO225
- Part number: PRO225
- Total assembled weight (including polypropylene core): 52.4 lb (23.8 kg)
- Oval shaped ports; fit 6" round ducts
- Drains: 1/2" (1.2 cm) fittings with 10 ft (3 m) PVC drain
- Core filters: 2 washable MERV 6 9.2" x 14.25" x 0.38" (23.4 cm x 36.2 cm x 1 cm)
- Mounting: Suspension by chains and springs
- 2 PSC Blower Motors (supply and exhaust)
  - Protection type: thermally protected
  - Insulation class: F
- Speed control on unit:
  - Low and High speeds (with integrated control)
- Insulation: Expanded polystyrene
- Housing: prepainted steel
- Heat recovery core:
  - Heat exchagne surface area: 100 ft<sup>2</sup> (9.3 m<sup>2</sup>)
  - Type: Cross flow
  - Material: Polypropylene
- Unit electrical characteristics:
 

Volts	Frequency	Ampere	Watts
120	60 Hz	0.96	105

Project:	REMARKS
Location:	
Part no.: PRO225	
Quantity:	
Submitted by:	Date:



Residential Product Group, 550 Lemire Blvd., Drummondville, QC, Canada J2C 7W9 - Tel.: 1-800-567-3855 Fax: 1-800-567-1715



www.venmar.ca

PRO225d170329