

RANGE HOOD model:

HO50200 • HO50300 • HO50400 • HO50500 • HO60200 • HO60300
HO60400 • HO60500 • HO55200 • HO55300 • HO55400 • HO55500

Congratulations! You have made an excellent choice! This Venmar Ventilation line of range hoods is the most efficient on the market.

A 10-YEAR WARRANTY

Venmar's range hoods are high quality products, built and packed with care. All products are guaranteed ten (10) years against any operational defects. This warranty covers labor and parts (see details in the warranty section). If your unit is defective, contact the Venmar Ventilation Service Department at the following toll-free numbers: 1-800-567-3855 from Canada and 1-800-836-6271 from United States. N.B. First, record the serial number of your unit. This can be found on the sticker under the filters at the bottom of the hood or on the white sticker located on the box.



USER'S MANUAL

Read and save these instructions

Table of Contents

1 Important safety instructions	1
2 Technical specifications	2
3 Tools	3
4 Installation of the hood with exterior outlet	3
5 Installation of the charcoal unit	7
6 Electronic control.....	11
7 Mechanical control.....	12
8 Cleaning.....	12

1 IMPORTANT SAFETY INSTRUCTIONS

“Read and save these instructions”

Caution: “To reduce risk of fire and to properly exhaust air, be sure to duct air outside. Do not vent exhaust air into spaces within walls or ceilings or into attics, crawl spaces or garages.”

WARNING - TO REDUCE THE RISK OF FIRE, ELECTRIC SHOCK, OR INJURY TO PERSONS, OBSERVE THE FOLLOWING:

- A. Use this unit only in the manner intended by the manufacturer. If you have questions, contact the manufacturer.
- B. Before servicing or cleaning unit, switch power off at service panel and lock (service disconnecting means) to prevent power from being switched on accidentally. When the service disconnecting means cannot be locked, securely fasten a prominent warning device, such as a tag, to the service panel.

Caution: “For general ventilating use only. Do not use to exhaust hazardous or explosive materials and vapors”

WARNING - TO REDUCE THE RISK OF A RANGE TOP GREASE FIRE:

- A. Keep fan, filters and grease laden surfaces clean.
- B. Always turn hood ON when cooking at high heat.
- C. Use high settings on range only when necessary. Heat oil slowly on low to medium settings.
- D. Don't leave range unattended when cooking.
- E. Always use cookware and utensils appropriate for the type and amount of food being prepared.

WARNING - TO REDUCE THE RISK OF INJURY TO PERSONS IN THE EVENT OF RANGE TOP GREASE FIRE, OBSERVE THE FOLLOWING:

- A. Smother flames with close-fitting lid, cookie sheet, or metal tray, then turn off the burner. BE CAREFUL TO PREVENT BURNS.
 - * If the flames do not go out immediately, EVACUATE AND CALL THE FIRE DEPARTMENT.
- B. NEVER PICK UP A FLAMING PAN - You may be burned.
- C. DO NOT USE WATER, including wet dishcloths or towels. A violent steam explosion will result.
- D. Use an extinguisher ONLY if:
 1. You know you have a Class ABC extinguisher, and you already know how to operate it.

2. The fire is small and contained in the area where it started.
 3. The fire department has been called.
 4. You can fight the fire with your back to an exit.
- *Based on “Kitchen Firesafety Tips” published by NFPA.

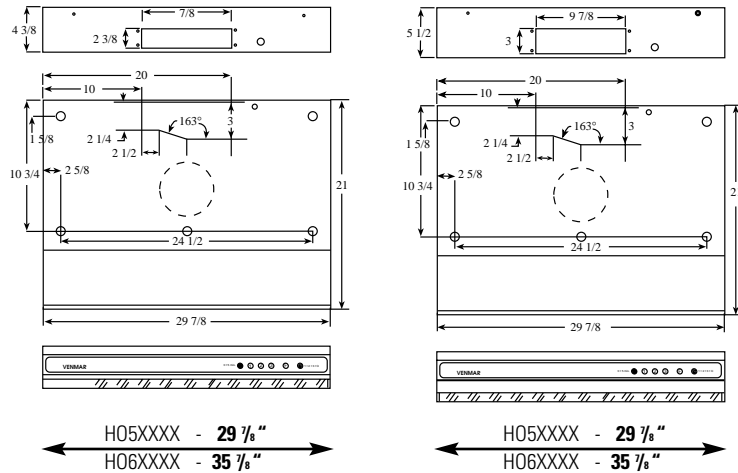
WARNING - TO REDUCE THE RISK OF FIRE, ELECTRIC SHOCK, OR INJURY TO PERSONS, OBSERVE THE FOLLOWING:

- A. Installation work and electrical wiring must be done by qualified person(s) in accordance with all applicable codes and standards, including fire-rated construction.
- B. Sufficient air is needed for proper combustion and exhausting of gases through the flue (chimney) of fuel burning equipment to prevent back drafting. Follow the heating equipment manufacturer's guideline and safety standards such as those published by “The National Fire Protection Association” (NFPA) and “The American Society for Heating, Refrigeration and Air Conditioning Engineers” (ASHRAE), and the local code authorities.
- C. When cutting or drilling into wall or ceiling, be careful not to damage electrical wiring and other hidden utilities.
- D. Ducted fans must always be vented to the outdoors.

“WARNING”: “To reduce the risk of fire, use only metal ductwork”

2 TECHNICAL SPECIFICATIONS

Catchment capacity	91%	HO50200 - HO55200 - HO60200
	93%	HO50300 - HO55300 - HO60300
	96%	HO50400 - HO55400 - HO60400
	97%	HO50500 - HO55500 - HO60500
Power supply	120 V AC, 60 Hz	120 V AC, 60 Hz
Total power consumption	115 W	160 W
Lighting	2 x 40 W	2 x 40 W
	2 appliance bulbs model #A-15	
The catchment capacity test procedures comply with the SS433-05-01 standard SEK (swedish), verified by CSA.		
Model	HOXX200 HOXX300	HOXX400 HOXX500



3 TOOLS

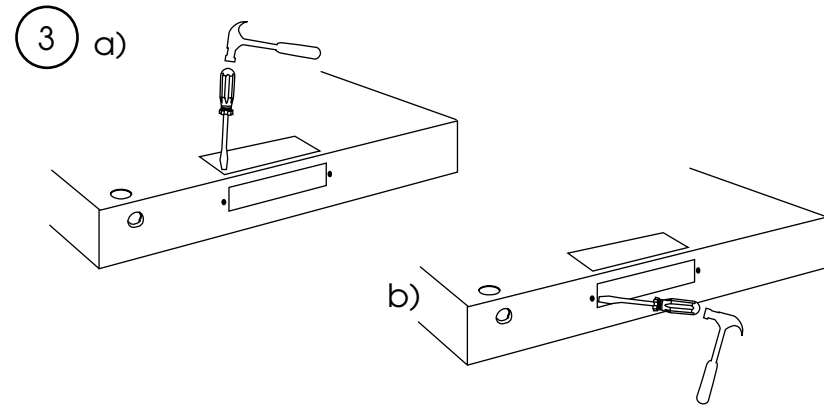
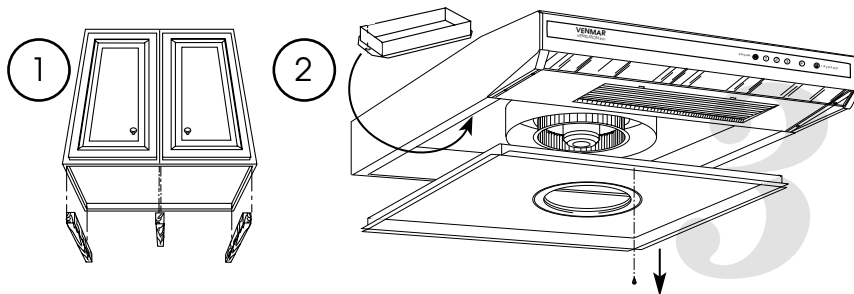
TOOLS NEEDED TO INSTALL THE RANGE HOOD

- Philips screwdriver #2 or square #1.
- Hammer (To open the knockout hole and the exhaust port).
- Sheet metal shears (to make duct adjustments).
- Pair of pliers (to make duct adjustments).

Caution:

To reduce fire hazard and to properly exhaust stale air, be sure to duct air outside or recirculate the air with the HO 50950 charcoal unit. The exhaust port must never lead into a chimney used to exhaust gases or smoke. Do not exhaust stale air into spaces in walls, ceilings, attics, crawl spaces or garages.

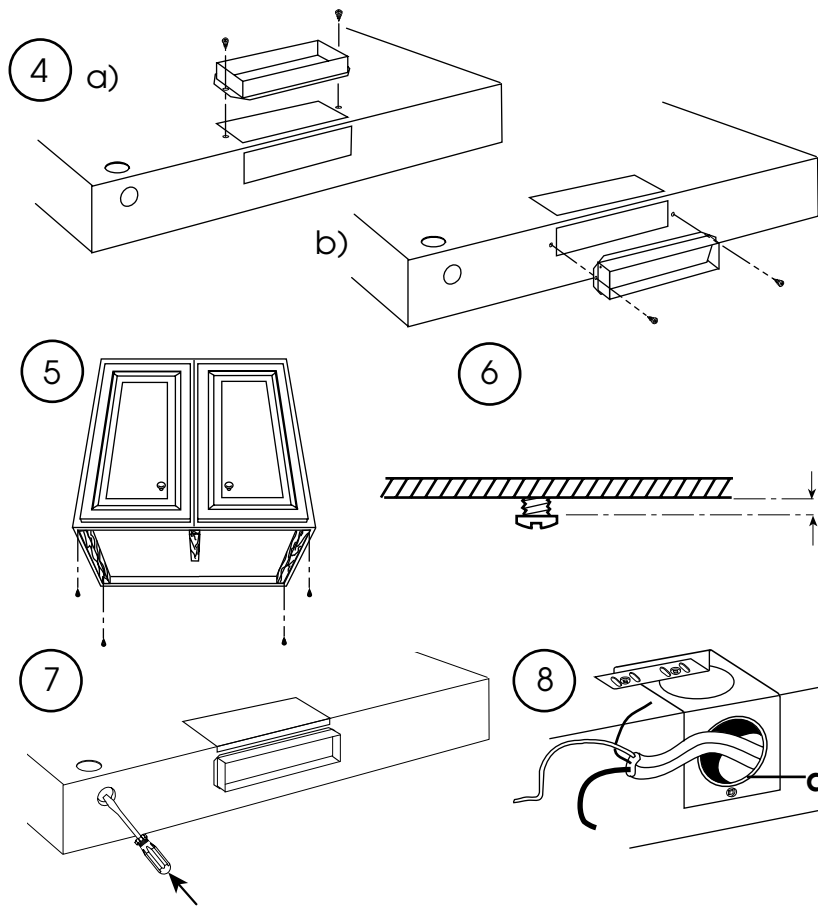
4 INSTALLATION OF THE HOOD WITH EXTERIOR OUTLET



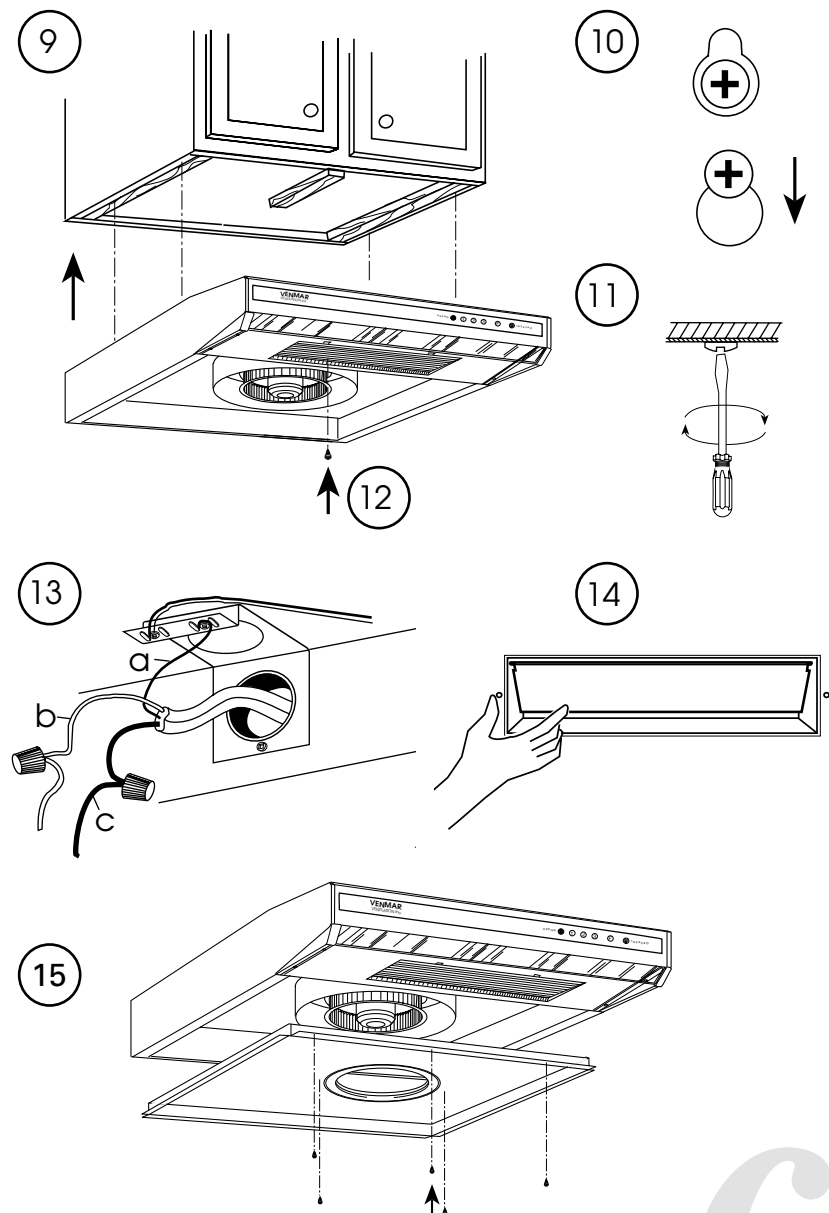
Warning: The heating element of the range and the underside of the hood must be, at least 20" (50cm) apart. Over a gas range, the distance must be increased to, at least, 24" (60 cm).

- 1 If the bottom of the cupboard is recessed, attach three wood strips as shown to be able to screw the range hood under the cabinet.
- 2 Remove the screw on the bottom of the hood and remove the cover. * Be careful not to touch the electronic board.
- 3 Determine if the exhaust hole is on the top (3a) or rear (3b) of the range hood. Disconnect the appropriate stale air outlet using a hammer and screwdriver. The best circular transition to a 3-1/4" x 10" (8.25 cm x 25.4 cm) rectangular tubing measures 6" (15.24 cm) diameter. For better Venmar Ventilation performance, it is recommended to follow this instruction.

NOTE We recommend that the wall duct be well prepared to receive the adaptor. Make sure that the adaptor fits easily in the duct before doing the installation. The use of the adaptor is strongly recommended for better performance of your unit. If you purchase the Venmar hood to replace another hood and you use the top outlet, please note that location of the exhaust duct can vary from one manufacturer to another.



- 4 Take the adaptor inside the hood (2) and install the adaptor with the screws.
- 5 Position the 4 screws according to the embossed holes on the hood.
- 6 Do not tighten the screws down so the hood can be placed on them before tightening.
- 7 Punch out the power supply hole at the rear or on the top of the range hood depending on the installation.
- 8 Make sure the power supply is on the right side of the hood. Insert the electrical wire in the hole, ensuring the protective bushing is in place (8a).



15

6

- 9 Insert the screw head into the embossed key hole.
- 10 Push the chassis to the wall and insert the screws into the slots.
- 11 Tighten the screws so the hood is firmly attached to the cupboard.
- 12 Insert the fifth screw in the centre of the chassis.

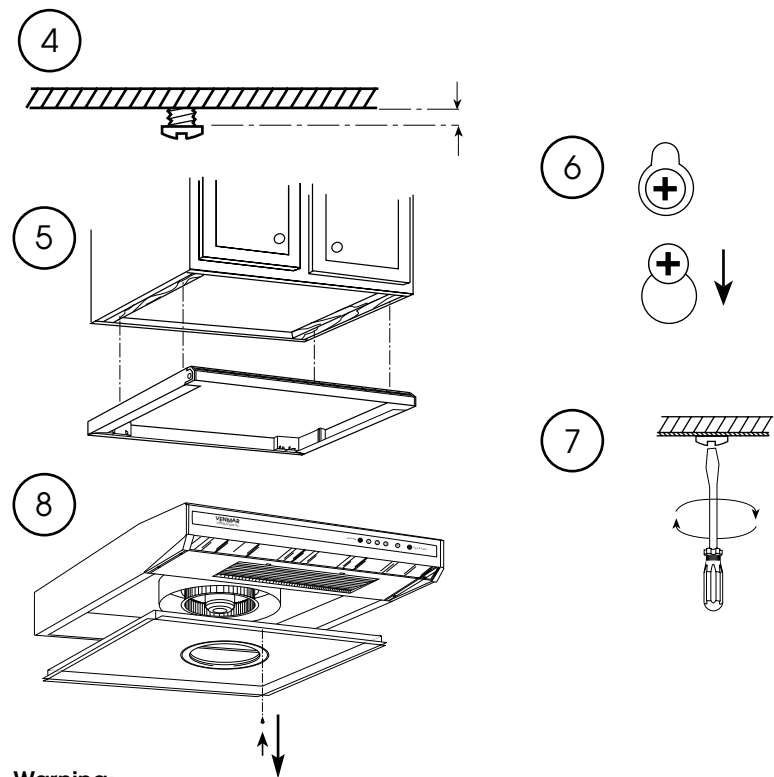
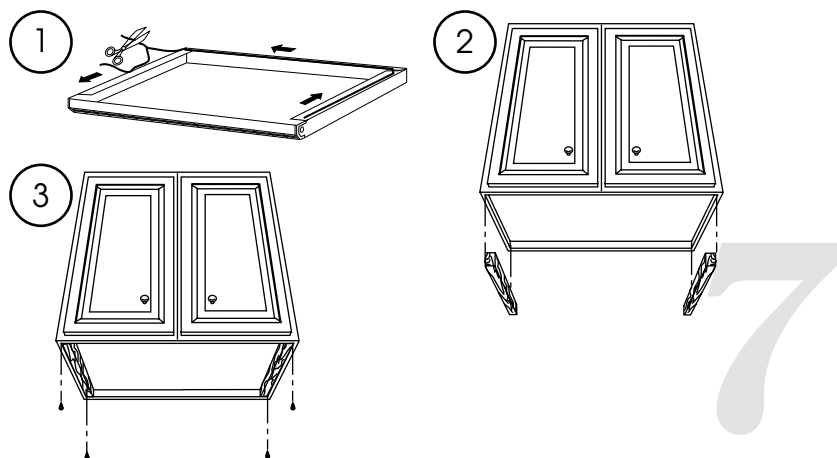
Caution: The electrical connection must comply with regional electrical codes. The appliance must be grounded.

- 13
 - a- The ground lead must be attached to the connector installed on the range hood chassis.
 - b- The white lead must be connected with the white lead of the power supply (neutral).
 - c- The black lead must be connected with the black lead of the power supply (live).

It is recommended to use insulated wire connectors.

- 14 Make sure the damper of the adaptor opens freely.
- 15 Install the five screws of the bottom cover using the four additional screws available in the installation bag.
- 16 Put the filters back in place.

5 INSTALLATION OF THE CHARCOAL UNIT

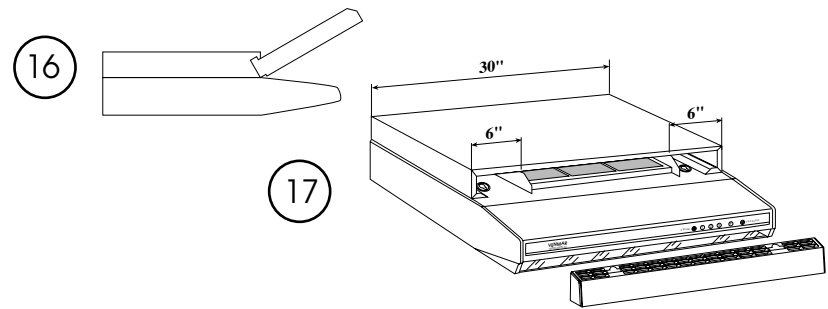
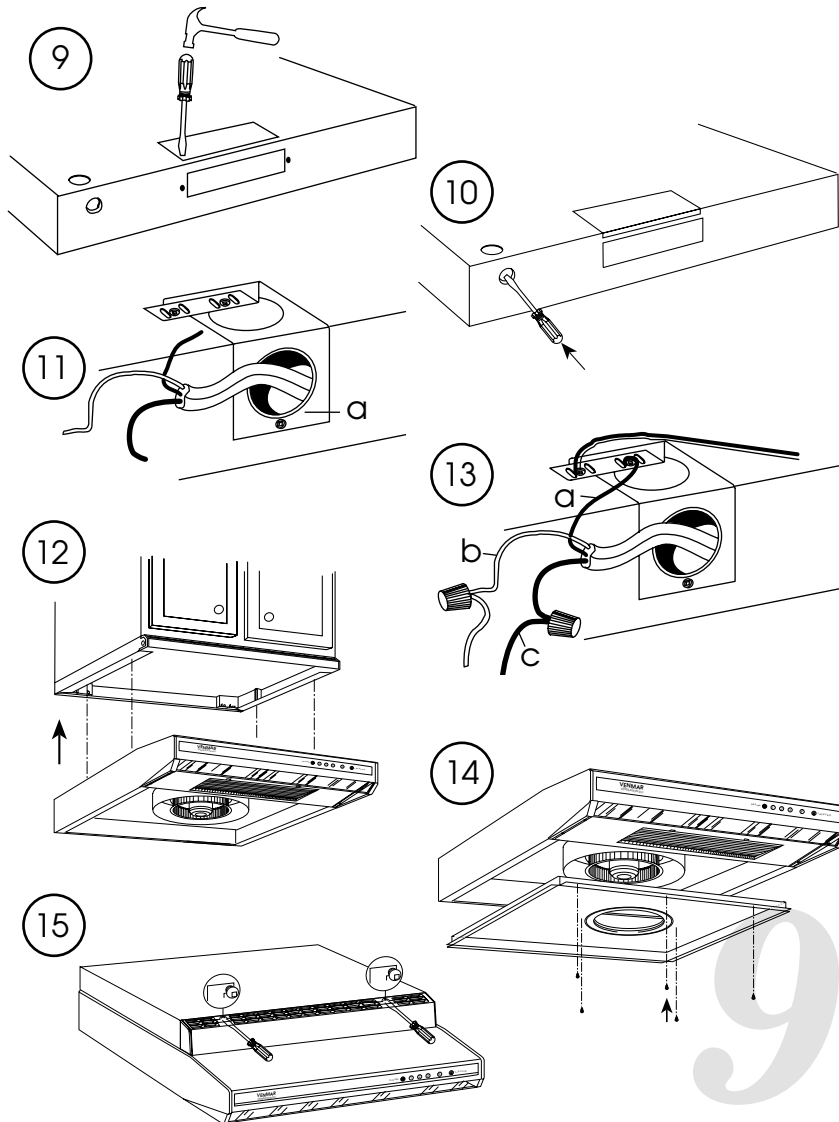


Warning:

The heating element of the range and the underside of the hood must be, at least 20" (50 cm) apart. Over a gas range, the distance must be increased to, at least, 24" (60 cm).

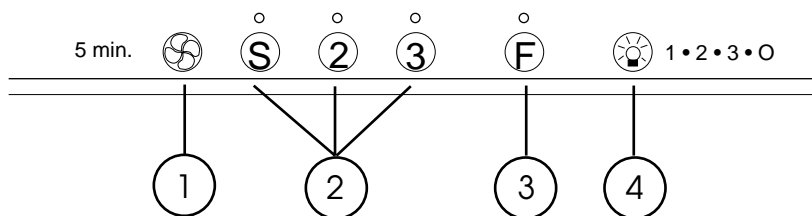
- 1 Install the neoprene gasket on the charcoal unit.
- 2 If the bottom of the cupboard is recessed, attach two wood strips as shown to be able to screw the range hood under the cabinet.
- 3 Position the 4 screws according to the holes on the charcoal unit.
- 4 Do not tighten the screws down so the hood can be placed on them before tightening.
- 5 Insert the screw head into the key hole.
- 6 Push the charcoal unit to the wall and insert the screws into the slots.

- 7 Tighten the screws so the charcoal unit is firmly attached to the cupboard.
- 8 Remove the screw on the bottom of the hood and remove the cover. Take out the adaptor.
*Be careful not to touch the electronic PCB.



- 9 Disconnect the outlet from the top using a hammer and screwdriver.
 - 10 Punch out the power supply hole on the back of the range hood. When installing a carbon module do not use the power supply hole on the top of the hood to feed electrical wiring.
 - 11 Make sure the power supply is on the right side of the hood. Insert the electrical wire in the hole, ensuring the protective bushing is in place (11 a).
 - 12 Attach the hood to the charcoal unit using the holes with unembossed insertion slots.
- Caution:** The electrical connection must comply with regional codes. The appliance must be grounded.
- 13 **a- The ground lead must be connected to the connector installed on the range hood chassis.**
b- The white lead must be connected with the white lead of the power supply (neutral).
c- The black lead must be connected with the black lead of the power supply (live).
It is recommended to use insulated wire connectors.
 - 14 Install the five screws of the bottom cover using the four additional screws available in the installation bag.
 - 15 Slightly unscrew the air diffuser screws, remove it in order to put the charcoal filter in place.
 - 16 Remove the charcoal filter from the transparent plastic bag and insert in charcoal unit.
 - 17 Place the charcoal filter in the center of the unit.
 - 18 Put the air diffuser and the filters back in place.

6 ELECTRONIC CONTROL



① DELAY

When a speed is selected, press the Delay switch to activate the delay function. The corresponding speed indicator light will start flashing to indicate this function is being activated. The fan will continue to operate for 5 minutes and will then stop automatically and return to normal operating mode. To cancel the Delay function, press the Delay switch once.

② START / STOP, SPEED SELECTION

Press the switch corresponding to the desired speed. The light indicates the selected speed. Speed "S" indicates "silentsure" mode. To turn off the motor, press the corresponding switch once.

③ MASTER OFF / FILTER MAINTENANCE

This switch has a dual function.

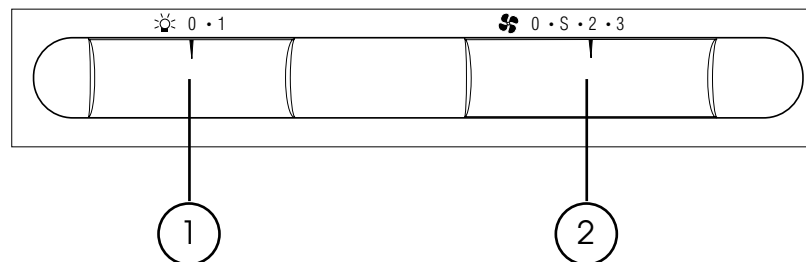
- To turn off simultaneously the motor and the lights, press the switch once.
- After 25 hours of operation, the filter maintenance light indicator will turn on. This indicates that the intake ring, the filters and the blower wheel need to be cleaned to maintain efficient operation of the unit. The indicator light will stay on until the function is reactivated by pressing the control switch.

④ LIGHT

The light switch allows three different lighting levels according to your needs (2 x 40W maximum).

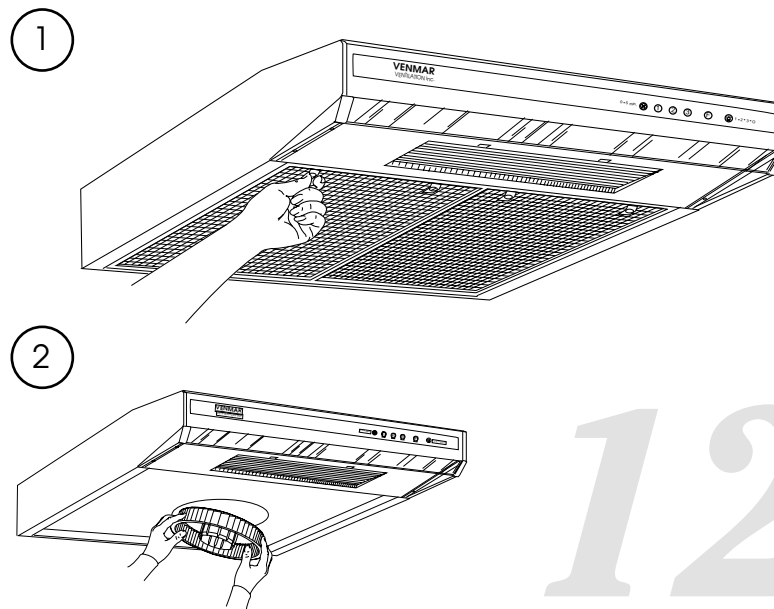
(Use of compact fluorescent is not recommended)

7 MECHANICAL CONTROL



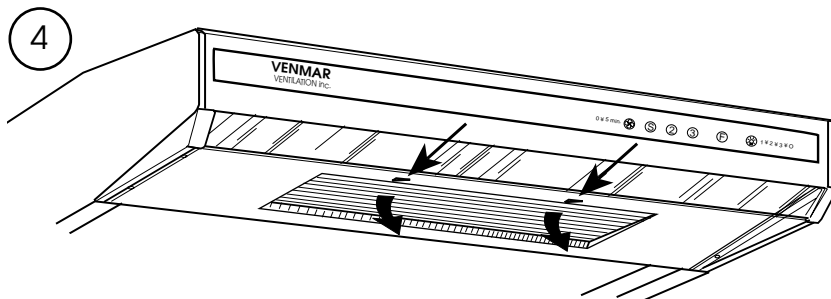
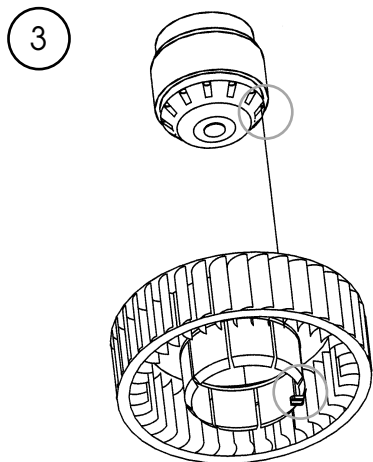
- Off / On lighting
Slide the switch to turn the light on (2 x 40 watts intensity).
- Off / On motor and speed control
Slide the switch to engage the motor at the desired speed. Speed "S" indicates "silentsure" mode

8 CLEANING



11

12



1-2 Cleaning

Clean the inside of the range hood a few times a year. Remove the filters, the impeller and the intake ring (fig:1 & 2). Wipe the inside with a wet cloth and mild detergent. The filters, the intake ring and the impeller may be cleaned in a dishwasher or by soaking in a mild detergent.

The easy way to remove the impeller is by holding it on each side and pull down smoothly, one side at a time. Be aware that the edge of the hood may be sharp.

NOTE: Some minerals, when in contact with dishwasher soap additives, may cause a discolouration of the filters. This discolouration is not covered by the warranty.

③ When inserting the fan blades, be sure to position the alignment lug in one of the holes on the motor head.

④ Changing the light bulbs

Remove the light diffuser by pushing on the clasps and pull down.

Bulbs to use: two (2) appliance bulbs; maximum 40 watts

10 years WARRANTY

We warrant VENMAR RANGE HOODS to be free from manufacturing defects in material or workmanship under normal residential use for ten (10) years after date of purchase. This warranty includes repair or, at our option, replacement of any VENMAR RANGE HOOD found to be defective. This express warranty will be null and void and of no effect if the function or form of the VENMAR RANGE HOOD is altered by anyone not acting under the supervision of VENMAR. This warranty may be transferred or assigned to any subsequent owner.

THIS EXPRESS WARRANTY IS IN LIEU OF ALL OTHER WARRANTIES, EXPRESS OR IMPLIED, INCLUDING THE WARRANTIES OF MERCHANTABILITY AND FITNESS. WE WILL IN NO EVENT BE LIABLE FOR ANY BREACH OF THIS EXPRESS WARRANTY IN AN AMOUNT EXCEEDING THE ORIGINAL PURCHASE PRICE OF THE VENMAR range hood, NOR WILL BE LIABLE FOR ANY INCIDENTAL OR CONSEQUENTIAL DAMAGES.

To obtain warranty service, contact VENMAR VENTILATION INC. from Canada at 1-800-567-3855 and from United States 1-800-836-6271. To facilitate processing of any warranty claim, the owner of the VENMAR RANGE HOOD should present the original, dated Bill of Sale for the VENMAR range hood.

During the first ninety (90) days of the warranty period, VENMAR will provide in-home warranty service. Thereafter, owner will be responsible for removing the VENMAR RANGE HOOD, transporting it to an authorized VENMAR service depot and reinstalling the hood upon completion of warranty repairs.